

# HY Power

M.R.

Enciende el poder  
Ignition power

## Catálogo 10.0

Catalogue




### Cables para bujía y capuchones de encendido directo

Spark plug cables & Direct ignition caps

# Hy POWER

Enciende el poder  
Ignition power

## Elite


Nuestros juegos de cables para bujía  son **fabricados en México** por mano de obra calificada, 100% mexicana. Nuestra experiencia no es solo en el ensamble si no en la manufactura, somos los únicos **expertos**: fabricamos nuestro propio cable, capuchones, terminales y los moldes y herramientas que se requieren para su desarrollo.



Desde nuestro nacimiento hemos ofrecido al mercado productos de la mejor calidad, servicio y precio.

### Nuestra garantía es del 100%

Utilizamos materia prima de primera calidad y cumplimos con las normas internacionales, lo que nos permite **exportar** nuestros productos a diferentes partes del mundo.

Our  cables are **manufactured in Mexico** by qualified workmanship, 100% mexican. We have experienced not only assembling, beside manufacturing, we are the only experts: we manufacture our own cable, boots, terminals, molds and tools required for their development.

Since our beginnings we have offered to the market products of the best quality, service and price.

### Our guarantee is 100%

We use first quality materials and we fulfill international standards that allows us export our products to different parts of the world.





# Hy Power


M.R.

*Enciende el poder*



## ¿Sabías que?

Los cables de bujía con reactancia inductiva están recubiertos por dos capas de silicon y TEJIDO DE FIBRA DE VIDRIO. El aislante interior de silicon confiere al cable más rigidez y lo protege de tensiones de encendido elevadas. El tejido de fibra de vidrio le confiere mayor resistencia. El aislante exterior de caucho de silicon puede aguantar temperaturas de hasta 220 °C y es resistente a la gasolina y al aceite.

 tiene para tí cables con TEJIDO DE FIBRA DE VIDRIO , en Hy Power pensamos siempre en lo mejor para nuestros clientes y ofrecemos una gran variedad de cables para bujías y cables con resistencias o supresores



FIBRA DE VIDRIO

# CABLE PASA CORRIENTE

Codigo	Color	Cal	Long	
<b>DUPLEX</b>				
A3005	ROJO	6AWG	2.40 m	Resistente PVC ANTIFLAMA
A3017	NARANJA	6AWG	3.40 m	
A3006	AZU	8AWG	2.40 m	
A3007	AZUL	8AWG	6.00 m	
A3010	AZUL	8AWG	3.60 m	
A3008	VERDE	10AWG	2.40 m	
<b>ECONOMICO</b>				
A3020	ROJO Y NEGRO	11AWG	2.30 m	



DUPLEX



# CABLE PARA BATERÍA

Terminal Plomo	Longitud	Calibre 4	Calibre6
P.V.C. ANTIFLAMA			
	30 CM (11.81")	A1921	A1961
	35 CM (13.78")	A1935	A1974
	40 CM (15.74")	A1922	A1962
	47 CM (18.50")	A1923	A1963
	60 CM (23.62")	A1924	A1964
	67 CM (26.37")	A1925	A1965
	77 CM (30.31")	A1926	A1966
	80 CM (31.40")		A1976
	85 CM (33.46")	A1927	A1967
	95 CM (37.40")	A1928	A1968
	105 CM (41.33")	A1929	A1969
	120 CM (47.24")	A1930	A1970
	140 CM (55.11")	A1934	A1975
	150 CM (59.05")	A1931	A1971
	180 CM (70.86")	A1932	A1972
	200 CM (78.74")	A1933	A1973
	240 CM (94.48")		A1977



	Pág		Pág
Cable pasa Corriente	4	<b>Honda</b>	<b>56</b>
Extensiones uso rudo	4	Acura	56
Cualidades del Cable	14	Honda	56
Circuitos para Extremo de Bujías (Diagramas)	15	<b>Hyundai</b>	<b>57</b>
Circuitos para Extremo de Distribuidor (Diagramas)	20	<b>Isuzu</b>	<b>57</b>
Capuchón para bobina (Diagramas)	22	<b>KIA</b>	<b>58</b>
<b>Chrysler</b>	<b>23</b>	<b>Land Rover</b>	<b>58</b>
Dodge	25	<b>Mazda</b>	<b>58</b>
Eagle	28	<b>Mini</b>	<b>59</b>
Jeep	28	<b>Mitsubishi</b>	<b>59</b>
Plymouth	29	<b>Nissan</b>	<b>61</b>
<b>Citroën</b>	<b>30</b>	Infinity	61
<b>Daihatsu</b>	<b>30</b>	<b>Peugeot</b>	<b>63</b>
<b>FAW</b>	<b>30</b>	<b>Renault</b>	<b>63</b>
<b>Fiat</b>	<b>30</b>	<b>Subaru</b>	<b>64</b>
<b>Ford</b>	<b>31</b>	<b>Suzuki</b>	<b>64</b>
Lincoln	36	<b>Toyota</b>	<b>64</b>
Mercury	36	<b>Universal</b>	<b>66</b>
<b>General Motors</b>	<b>38</b>	<b>VAM</b>	<b>66</b>
Buick	38	<b>Volkswagen</b>	<b>66</b>
Cadillac	40	Audi	66
Chevrolet	41	Seat	66
Daewoo	51	Skoda	67
GEO	51	Volkswagen	67
Hummer	52	<b>Cables Marinos</b>	<b>69</b>
Oldsmobile	52	<b>Cables Montacargas</b>	<b>69</b>
Opel	53	<b>Cables para Motos</b>	<b>69</b>
Pontiac	54	<b>Cable PVC</b>	<b>70</b>
SAAB	56		
Saturn	56		

# ÍNDICE POR MODELO

MODELO	FABRICANTE	PAG.
106	PEUGEOT	63
124	FIAT	30
147	FIAT	30
205	PEUGEOT	63
206	PEUGEOT	63
300	CHRYSLER	23
300C	DODGE	25
300M	CHRYSLER	23
306	PEUGEOT	63
309	PEUGEOT	63
310	NISSAN	61
323	MAZDA	58
400	DODGE	25
404	PEUGEOT	63
405	PEUGEOT	63
406	PEUGEOT	63
504	PEUGEOT	63
505	PEUGEOT	63
510	NISSAN	61
600	DODGE	25
605	PEUGEOT	63
618	MAZDA	58
626	MAZDA	58
808	MAZDA	58
810	NISSAN	61
929	MAZDA	58
6000	PONTIAC	54
106	PEUGEOT	63
106 II	PEUGEOT	63
1600 GL	SUBARU	64
1800 DL	SUBARU	64
1800 GL	SUBARU	64
1800 GL 10	SUBARU	64
2000 GTX	EAGLE	28
200SX	NISSAN	61
205 II	PEUGEOT	63
240SX	NISSAN	61
240Z	NISSAN	61
260Z	NISSAN	61
280Z	NISSAN	61
3000GT	MITSUBISHI	59
300C	DODGE	25
300M	CHRYSLER	23
309 II	PEUGEOT	63
4 RUNNER	TOYOTA	64
400SS HEAVY DUTY	CHEVROLET	43
521, 610, 620, 710	NISSAN	61
720 PICK UP	NISSAN	61

MODELO	FABRICANTE	PAG.
9-7X	SAAB	56
ACCENT	HYUNDAI	57
ACCLAIM	PLYMOUTH	29
ACCORD	HONDA	56
ACHIEVA	OLDSMOBILE	52
AEROSTAR	FORD	31
ALERO	OLDSMOBILE	52
ALLANTE	CADILLAC	40
ALLIANCE	RENAULT	63
ALLURE	BUICK	38
ALMERA	NISSAN	61
ALTIMA	NISSAN	61
ALBEA	FIAT	30
AMBASSADOR	VAM	66
AMIGO	ISUZU	57
ARIES	DODGE	25
ARROW	PLYMOUTH	29
ARROW PICK UP	PLYMOUTH	29
ASCENDER	ISUZU	57
ASPEN	DODGE	25
ASPIRE	FORD	31
ASTRA	CHEVROLET	41
ASTRO	CHEVROLET	41
ATLANTIC	VW	67
ATOS	DODGE	25
ATOS	HYUNDAI	57
ATTITUDE	DODGE	25
AURA	SATURN	56
AURORA	OLDSMOBILE	52
AUTOS	FORD	31
AUTOS	CHEVROLET	42
AVALANCHE	CHEVROLET	42
AVANZA	TOYOTA	65
AVELLA	KIA	58
AVENGER	DODGE	25
AVEO	CHEVROLET	42
AVEO	OPEL	53
AVIATOR	LINCOLN	36
AX	CITRÖEN	30
AXXES	NISSAN	61
AZTEK	PONTIAC	54
B1600	MAZDA	58
B1800	MAZDA	58
B2000 PICK UP	MAZDA	58
B2200 PICK UP	MAZDA	58
B2600 PICK UP	MAZDA	58
BALENO	SUZUKI	64
BARRACUDA	PLYMOUTH	29
BEETLE	VW	67

MODELO	FABRICANTE	PAG.
BERETTA	CHEVROLET	42
BERLINGO	CITRÖEN	30
BLACKWOOD	LINCOLN	36
BLAZER	CHEVROLET	42
BLAZER S10/T10	CHEVROLET	42
BLAZER SERIE B6, 7-C 5, 6-S 7-P6	CHEVROLET	42
BLUEBIRD	NISSAN	61
BONEVILLE	PONTIAC	54
BORA	VW	67
BORA ESTATE	VW	67
BOXER	PEUGEOT	63
BRASILIA	VW	67
BRAVADA	OLDSMOBILE	52
BREEZE	PLYMOUTH	29
BRONCO	FORD	31
BRONCO II	FORD	31
BROUGHAM	CADILLAC	40
BX	CITRÖEN	30
C/K PICK UP SERIES 1500, 2500, 3500	CHEVROLET	43
C15	CITRÖEN	30
C25	CITRÖEN	30
CABALLERO	CHEVROLET	43
CABRIO	VW	67
CABRIOLET	VW	67
CALAIS	CADILLAC	40
CALAIS	OLDSMOBILE	52
CALDINA	TOYOTA	65
CAMARO	CHEVROLET	43 44
CAMION	INTERNAC	57
CAMIONES	DODGE	25
CAMIONES	FORD	31
CAMIONETAS	DODGE	25
CAMIONETAS	FORD	31
CAMIONETAS	CHEVROLET	42
CAMIONETAS	MITSUBISHI	59
CAMRY	TOYOTA	65
CANYON	CHEVROLET	44
CAPRI	MERCURY	36
CAPRICE	CHEVROLET	44
CARAVAN	DODGE	25
CARAVAN	NISSAN	61
CARAVELLE	PLYMOUTH	29
CARAVELLE (RADIADOR)	VW	67
CARIBE	VW	67
CARINA	TOYOTA	65
CARISMA	MITSUBISHI	59
CARRY	SUZUKI	64
CATERA	CADILLAC	40
CAVALIER	CHEVROLET	44
CELEBRITY	CHEVROLET	44

MODELO	FABRICANTE	PAG.
CELICA	TOYOTA	65
CELTA	CHEVROLET	44
CENTURY	BUICK	38
CENTURY WAGON	BUICK	38
CERATO	KIA	58
CHALLENGER	PLYMOUTH	29
CHAMP	PLYMOUTH	29
CHARADE	DAIHATSU	30
CHARGER	DODGE	25
CHARIOT	MITSUBISHI	59
CHEROKEE	JEEP	28
CHEVELLE	CHEVROLET	44
CHEVETTE	CHEVROLET	44
CHEVY	CHEVROLET	44
CHEVY C2	CHEVROLET	45
CHEVY JOY	CHEVROLET	45
CHEVY MONZA	CHEVROLET	45
CHEVY NOVA	CHEVROLET	45
CHEVY PICK UP	CHEVROLET	45
CHEVY POP	CHEVROLET	45
CHEVY SWING	CHEVROLET	45
CHEVY VAGONETA	CHEVROLET	45
CHEYENNE	CHEVROLET	43
CIELO RACER	DAEWOO	51
CIERA	OLDSMOBILE	52
CIMARRON	CADILLAC	40
CIRRUS	CHRYSLER	23
CITATION	CHEVROLET	45
CIVIC	HONDA	56
CIVIC DEL SOL	HONDA	56
CL	ACURA	56
CLIO	RENAULT	63
CLIO II	RENAULT	63
CLIO SPORT	RENAULT	63
CLUB WAGON	FORD	34
CLX	HYUNDAI	57
COBALT	CHEVROLET	45
COLONY PARK	MERCURY	36
COLORADO	CHEVROLET	45
COLT	DODGE	25
COLT	MITSUBISHI	59
COLT VISTA	DODGE	25
COMANCHE	JEEP	28
COMBI	VW	67
COMMERCIAL CHASSIS	CADILLAC	40
CONCORD	VAM	66
CONCORDE	CHRYSLER	23
CONCOURS	CADILLAC	40
CONQUEST	PLYMOUTH	29
CONTINENTAL	LINCOLN	36
CONTOUR	FORD	31

MODELO	FABRICANTE	PAG.
CORDIA	MITSUBISHI	59
CORDOBA	CHRYSLER	23
CORDOBA	SEAT	66
COROLLA	TOYOTA	65
CORONA	TOYOTA	65
CORONET	DODGE	25
CORRADO	VW	67
CORSA	CHEVROLET	45
CORSA	OPEL	48
CORSAR	VW	67
CORSICA	CHEVROLET	45
CORVETTE	CHEVROLET	45
COUGAR	MERCURY	36
COUNTRY SQUIRE	FORD	31
COURIER	FORD	31
CROSSFOX	VW	67
CROWN VICTORIA	FORD	31
CRUISER	OLDSMOBILE	52
CR-V	HONDA	56
CRX	HONDA	56
CTS	CADILLAC	40
CUSTOM CRUISER DELTA 88	OLDSMOBILE	52
CUTLASS	OLDSMOBILE	52
CUTLASS CALAIS	OLDSMOBILE	52
CUTLASS CIERA	OLDSMOBILE	52
CUTLASS EUROSPORT	OLDSMOBILE	52
CUTLASS SUPREME	OLDSMOBILE	52
D21 PICK UP	NISSAN	61
D22 PICK UP	NISSAN	61
DAEWOO	DAEWOO	51
DAKOTA	DODGE	25
DART	DODGE	25
DATSUN	NISSAN	61
DAUPHINE	RENAULT	63
DAYTONA	DODGE	25
DEFENDER	LANDROVER	58
DELTA 88 SEDAN	OLDSMOBILE	53
DEMIO	MAZDA	58
DERBY	VW	67
DEVILLE	CADILLAC	40
DIAMANTE	MITSUBISHI	59
DIPLOMAT	DODGE	25
DISCOVERY	LANDROVER	58
DIVERSOS	CHEVROLET	45
DOBLO	FIAT	30
DOMINGO	SUBARU	64
DUCATO	FIAT	30
DURANGO	DODGE	26
DUSTER	PLYMOUTH	29
DYNASTY	DODGE	26

MODELO	FABRICANTE	PAG.
EAGLE	VAM	66
E-CLASS	CHRYSLER	23
ECLIPSE	MITSUBISHI	59
ECONOLINE	FORD	34
ECOSPORT	FORD	32
EL CAMINO	CHEVROLET	45
EL DORADO	CADILLAC	40
ELA	KIA	58
ELANTRA	HYUNDAI	57
ELECTRA SEDAN COUPE	BUICK	38
ENVOY	CHEVROLET	45
EPICA	CHEVROLET	45
EQUINOX	CHEVROLET	45
ESCALADE	CADILLAC	40
ESCALADE BOB DELPHI 19005218	CADILLAC	40 41
ESCALADE BOB MITS 12558693	CADILLAC	40
ESCAPE	FORD	32
ESCORT	FORD	32
ESPERO	DAEWOO	51
ESTEEM	SUZUKI	64
EUROVAN	VW	67
EXCEL	HYUNDAI	57
EXCURSION	FORD	32
EXECUTIVE	CHRYSLER	23
EXP	FORD	32
EXPEDITION	FORD	32
EXPERT	PEUGEOT	63
EXPLORER	FORD	32
EXPO	MITSUBISHI	60
EXPRESS	RENAULT	63
EXPRESS VAN	CHEVROLET	45
FAIRLINE	FORD	32
FAIRMONT	FORD	32
FALCON	FORD	32
FAVORITE	SKODA	67
FESTIVA	FORD	32
FIERO	PONTIAC	54
FIESTA	FORD	32
FIESTA ST	FORD	32
FIFTH AVENUE	CHRYSLER	23
FIORINO	FIAT	30
FIREBIRD	PONTIAC	54
FIREFLY	PONTIAC	54
FIRENZA	OLDSMOBILE	53
FIVE HUNDRED	FORD	32
FLEETWOOD	CADILLAC	41
FOCUS	FORD	32
FORD TRUCKS HEAVY DUTY	FORD	32
FORENZA	SUZUKI	64
FORSA	SUZUKI	64
FOX	VW	67
FREESTAR	FORD	32



MODELO	FABRICANTE	PAG.
FREESTYLE	FORD	32
FRONTIER	NISSAN	61
FUNERAL COACH	CADILLAC	41
FUSION	FORD	32
G20	INFINITY	61
G3	PONTIAC	54
G6	PONTIAC	54
GALANT	MITSUBISHI	60
GALAXIE	FORD	32
GALLOPER	HYUNDAI	57
GENTRA	DAEWOO	51
GETZ	HYUNDAI	57
GF8	FAW	30
GF900	FAW	30
GLC	MAZDA	58
GOL	VW	67
GOLF	VW	67
GOLF II, III	VW	67
GOLF IV	VW	67
GOLF V VARIANT	VW	68
GORDINI	RENAULT	63
GRAN FURY	PLYMOUTH	29
GRANADA	FORD	32
GRAND AM	PONTIAC	54
GRAND CARAVAN	DODGE	25
GRAND CHEROKEE	JEEP	28
GRAND LEMANS	PONTIAC	54
GRAND MARQUIS	MERCURY	37
GRAND PRIX	PONTIAC	54 55
GRAND VOYAGER	CHRYSLER	24
GRAND WAGONEER	JEEP	28
GREMLIN	VAM	66
GT	FORD	33
GTO	PONTIAC	55
H100	DODGE	26
H100	HYUNDAI	57
H1000	DODGE	26
H1000	HYUNDAI	57
H2	HUMMER	52
H3	HUMMER	52
HHR	CHEVROLET	46
HIACE	TOYOTA	65
HIGHLANDER	TOYOTA	65
HIKARI	NISSAN	61
HILUX	TOYOTA	65
HOMBRE	ISUZU	57
HOMY	NISSAN	61
HORIZON	PLYMOUTH	29
HUMMER	HUMMER	52
i10	DODGE	26
i-350	ISUZU	57

MODELO	FABRICANTE	PAG.
IBIZA	SEAT	66
ICHIVAN	NISSAN	61
IDEA ADVENTURE	FIAT	30
IKON	FORD	33
I-MARK	ISUZU	57
IMPALA	CHEVROLET	46
IMPERIAL	CHRYSLER	23
IMPREZA	SUBARU	64
IMPULSE	ISUZU	57
INTEGRA (LS, RS, GS DOHC)	ACURA	56
INTREPID	DODGE	26
INTRIGUE	OLDSMOBILE	53
ION	SATURN	56
J 2000	PONTIAC	55
J5	PEUGEOT	63
J9	PEUGEOT	63
JAVELIN	VAM	66
JETTA	VW	68
JIMMY	CHEVROLET	46
JIMMY S15	CHEVROLET	46
JUMPER	CITRÖEN	30
JUMPY	CITRÖEN	30
JUSTY	SUBARU	64
KA	FORD	33
KANGOO	RENAULT	63
KARMANNGHIA	VW	68
KING CAB	NISSAN	61
KODIAK	CHEVROLET	46
L200	MITSUBISHI	60
L300	MITSUBISHI	60
LACROSSE	BUICK	38
LAGUNA	RENAULT	63
LANCER	DODGE	26
LANCER	MITSUBISHI	60
LAND CRUISER	TOYOTA	65
LANOS	DAEWOO	51
LASER	CHRYSLER	23
LASER	PLYMOUTH	29
LAURENTIAN	PONTIAC	55
LE CAR	RENAULT	63
LEBARON	CHRYSLER	23
LEGACY	SUBARU	64
LEGANZA	DAEWOO	51
LEMANS	PONTIAC	55
LEMANS PARISIENNE	PONTIAC	55
LEON	SEAT	66
LEONE	SUBARU	64
LESABRE mod Ign DELCO	BUICK	38
LESABRE mod Magnavox	BUICK	38
LESABRE SEDAN COUPE	BUICK	38
LHS	CHRYSLER	23
LIBERTY	JEEP	28

MODELO	FABRICANTE	PAG.
LIMOUSINE	CADILLAC	41
LLV VEHICULO POSTAL	CHEVROLET	46
LN7	MERCURY	37
LOVA	CHEVROLET	46
LOYALE	SUBARU	64
LSS	OLDSMOBILE	53
LTD	FORD	33
LTD II	FORD	33
LUCERNE	BUICK	38
LUCINO GSE	NISSAN	61
LUCINO GSR	NISSAN	61
LUMINA	CHEVROLET	46
LUMINA APV	CHEVROLET	46
LUPO	VW	68
LUV	CHEVROLET	46
LUV CHILENA	CHEVROLET	47
LUV CHILENA	ISUZU	57
LYNX	MERCURY	37
MAGNUM	CHRYSLER	23
MAGNUM	DODGE	26
MALIBU	CHEVROLET	47
MARAUDER	MERCURY	37
MARCH	NISSAN	61
MARINER	MERCURY	37
MARQUIS	MERCURY	37
MARUTI	SUZUKI	64
MATIZ	DAEWOO	51
MATIZ	PONTIAC	55
MAVERICK	FORD	33
MAXIMA	NISSAN	61
MAZDA 3	MAZDA	58
MAZDA 6	MAZDA	58
MEGANE	RENAULT	63
MERIVA	CHEVROLET	47
METRO	CHEVROLET	47
METRO	GEO	51
MIATA	MAZDA	58
MICRA	NISSAN	61
MIGHTY MAX PICK UP	MITSUBISHI	60
MINI COOPER	MINI	59
MINI RAM 50 PICK UP	DODGE	26
MINI RAM D50 PICK UP	DODGE	26
MINI RAM VAN	DODGE	26
MIRADA	DODGE	26
MIRAGE	MITSUBISHI	60
MONACO	DODGE	26
MONARCH	MERCURY	37
MONDEO	FORD	33
MONTACARGA	CHEVROLET	47
MONTACARGAS	MAZDA	58
MONTACARGAS	MITSUBISHI	60
MONTANA	PONTIAC	55

MODELO	FABRICANTE	PAG.
MONTECARLO	CHEVROLET	47
MONTEGO	MERCURY	37
MONTEREY	MERCURY	37
MONTERO	MITSUBISHI	60
MONTERO SPORT	MITSUBISHI	60
MONZA	CHEVROLET	47
MORNING	KIA	58
MOUNTAINEER	MERCURY	37
MPV	MAZDA	59
MUSTANG	FORD	33
MX3	MAZDA	59
MX6	MAZDA	59
MYSTIQUE	MERCURY	37
NAVAJO	MAZDA	59
NAVIGATOR	LINCOLN	36
NEON	DODGE	26
NEON	PLYMOUTH	29
NEW BEETLE	VOLKSWAGEN	68
NEW PORT	CHRYSLER	23
NEW YORKER	CHRYSLER	23 24
NMX	NISSAN	61
NOVA	CHEVROLET	47
NP300	NISSAN	62
NUBIRA	DAEWOO	51
OASIS	ISUZU	57
ODYSSEY	HONDA	56
OMEGA	OLDSMOBILE	53
OMNI	DODGE	26
OPEL	CHEVROLET	48
OPTIMA	PONTIAC	55
OPTRA	CHEVROLET	48
OUTLANDER	MITSUBISHI	60
PACER	VAM	66
PACIFICA	CHRYSLER	24
PAJERO	MITSUBISHI	60
PALIO	FIAT	30
PARISIENNE	PONTIAC	55
PARK AVENUE	BUICK	38
PARK AVENUE DELCO	BUICK	38
PARK AVENUE MAGNAVOX	BUICK	38
PARTNER	PEUGEOT	63
PASEO	TOYOTA	65
PASSAT	VW	68
PASSPORT	HONDA	56
PATHFINDER	NISSAN	62
PATROL	NISSAN	62
PHANTOM	CHRYSLER	24
PHOENIX	PONTIAC	55
PICK UP	ISUZU	57

MODELO	FABRICANTE	PAG.
PICK UP	MITSUBISHI	60
PICK UP	NISSAN	62
PICK UP	TOYOTA	65
PICK UP SERIE B	MAZDA	59
PICK UP TRUCK	JEEP	28
PICK UP ESTACAS, DOBLE CABINA	NISSAN	61
PICK UP RAM 1500 2500 3500	DODGE	26 27
PICK UP RAM D, W	DODGE	26 27
PINTO	FORD	33
PLATINA	NISSAN	62
POINTER	VW	68
POINTER 1	DAEWOO	51
POINTER PICK UP	VW	68
POLO	VW	68
PONY	HYUNDAI	57
POP	KIA	58
PRAIRIE	NISSAN	62
PRECIS	MITSUBISHI	60
PRELUDE	HONDA	56
PREMIER	EAGLE	28
PRIDE	KIA	58
PRISM	GEO	51
PRISMA	CHEVROLET	44
PRIUS	TOYOTA	65
PROBE	FORD	33
PROTEGE	MAZDA	59
PROWLER	PLYMOUTH	29
PT CRUISER	CHRYSLER	24
PULSAR	NISSAN	62
PUNTO	FIAT	30
PURSUIT	PONTIAC	55
QUANTUM	VW	68
QUEST	NISSAN	62
QX4	INFINITY	61
R/V SERIES	CHEVROLET	48
R19	RENAULT	64
R5	RENAULT	64
R-8, R-10, R-12, R-18	RENAULT	64
R9, R11	RENAULT	64
RABBIT	VW	68
RACER	DAEWOO	51
RAIDER	DODGE	26
RAINIER	BUICK	38
RAM CHARGER	DODGE	26
RAM SRT10 1500-2500-3500	DODGE	27
RAM VAN, RAM 1500 2500 3500 SERIE B	DODGE	27
RAM WAGON SERIE B	DODGE	27
RAMBLER	VAM	66
RAMPAGE	DODGE	27

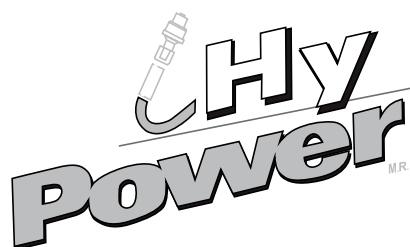
MODELO	FABRICANTE	PAG.
RANCHERO	FORD	34
RANGER	FORD	34
RANGER ROVER	LANDROVER	58
RAV4	TOYOTA	65
REATA	BUICK	38
REATA mod DELCO	BUICK	38
REATA mod MAGNAVOX	BUICK	39
REGAL mod DELCO	BUICK	39
REGAL mod MAGNAVOX	BUICK	39
REGAL SEDAN/COUPE	BUICK	39
REGENCY 98 (NINETY EIGHT)	OLDSMOBILE	53
RELAY	SATURN	56
RELIANT	PLYMOUTH	29
RENDEZVOUZ	BUICK	39
RENO	SUZUKI	64
RIO	KIA	58
RIVIERA	BUICK	39
RIVIERA mod DELCO	BUICK	39
RIVIERA mod MAGNAVOX	BUICK	39
ROADMASTER	BUICK	39
ROCKY/FEROZA	DAIHATSU	30
RODEO	ISUZU	58
RODEO SPORT	ISUZU	58
RVR	MITSUBISHI	60
RX7 ROTARY ENG 2C	MAZDA	59
S-10/T10 PICK UP	CHEVROLET	48
S-15 PICK UP	CHEVROLET	48
SABLE	MERCURY	37
SAFARI	CHEVROLET	48
SAFARI	VW	68
SAKURA	NISSAN	62
SAMURAI	NISSAN	62
SAMURAI	SUZUKI	64
SAPPORO	MITSUBISHI	60
SARATOGA	CHRYSLER	24
SAVANA	CHEVROLET	48
SAVEIRO	VW	68
SAXO	CITRÖEN	30
SCIROCCO	VW	68
SCOUPE	HYUNDAI	57
SCRAMBLER	JEEP	28
SEBRING	CHRYSLER	24
SEDAN	VW	68
SEDAN FUEL INJ	VW	68
SEDAN, COUPE, WAGON	SUBARU	64
SENTRA	NISSAN	62
SENTRA GSS	NISSAN	62
SEPHIA	KIA	58
SERENA	NISSAN	62
SERIE 4000	AUDI	66

MODELO	FABRICANTE	PAG.
SERIE 80	AUDI	66
SERIE 90	AUDI	66
SERIE A (VANS)	DODGE	27
SERIE B (VANS)	DODGE	27
SERIE C, CT	FORD	34
SERIE CJ	JEEP	28
SERIE E VANS	FORD	34
SERIE F PICK UP (LOBO)	FORD	34 35
SERIE FT	FORD	35
SERIE G VAN	CHEVROLET	48
SERIE L, LN, LT	FORD	35
SERIE L, LW	SATURN	56
SERIE LTS	FORD	35
SERIE MARK	LINCOLN	36
SERIE P VAN	CHEVROLET	49
SERIE S	SATURN	56
SERIE SC, SL, SW	SATURN	56
SEVILLE	CADILLAC	41
SHADOW	DODGE	27
SHOGUN	MITSUBISHI	60
SIDEKICK	SUZUKI	64
SIENNA	FIAT	30
SIERRA	CHEVROLET	49
SILHOUETTE	OLDSMOBILE	53
SILVA	NISSAN	62
SILVERADO	CHEVROLET	49
SIXTY SPECIAL	CADILLAC	41
SKYHAWK	BUICK	39
SKYLARK	BUICK	39
SOLARA	TOYOTA	65
SOMERSET	BUICK	39
SONATA	HYUNDAI	57
SONOMA	CHEVROLET	50
SONORA	CHEVROLET	50
SPACE	MITSUBISHI	60
SPARK	CHEVROLET	50
SPECTRA	KIA	58
SPECTRUM	CHEVROLET	50
SPECTRUM	GEO	51
SPIRIT	DODGE	27
SPIRIT	VAM	66
SPORT VAN	VOLKSWAGEN	68
SPORT WAGON	JEEP	28
SPORTAGE	KIA	58
SPRINT	CHEVROLET	50
SPRINTER	TOYOTA	65
SSR	CHEVROLET	50
STANZA	NISSAN	62
STARION	MITSUBISHI	60
STARLET	TOYOTA	65

MODELO	FABRICANTE	PAG.
STEALTH	DODGE	27
STELLAR	HYUNDAI	57
STILO	FIAT	30
STORM	GEO	51
STRADA	FIAT	30
STRATUS	DODGE	27
STS	CADILLAC	41
STYLUS	ISUZU	58
SUBURBAN	CHEVROLET	50
SUBURBAN C/K	CHEVROLET	50
SUBURBAN R/V	CHEVROLET	50
SUMMIT	EAGLE	28
SUNBIRD	PONTIAC	55
SUNBURST	PONTIAC	55
SUNDANCE	PLYMOUTH	29
SUNFIRE	PONTIAC	55
SUNNY	NISSAN	62
SUNRUNNER	PONTIAC	55
SUPER 5	RENAULT	64
SUPER BEE	DODGE	27
SUPER CARRY	SUZUKI	64
SV6	PONTIAC	55
SWIFT	SUZUKI	64
SWIFT II	SUZUKI	64
SYCLONE	CHEVROLET	50
T 100	TOYOTA	65
T 1000	PONTIAC	55
TACOMA	TOYOTA	66
TAHOE	CHEVROLET	50
TALON	EAGLE	28
TAURUS	FORD	35
TC MASERATI	CHRYSLER	24
TC TURBO	CHRYSLER	24
TEMPEST	PONTIAC	55
TEMPO	FORD	35
TERCEL	TOYOTA	66
TERRAZA	BUICK	39
THUNDERBIRD	FORD	35
TIBURON	HYUNDAI	57
TIIDA	NISSAN	62
TOLEDO II	SEAT	66
TOPAZ	MERCURY	37
TORINO	FORD	36
TORNADO	CHEVROLET	50
TORONADO	OLDSMOBILE	53
TORRENT	PONTIAC	55
TOWN & COUNTRY	CHRYSLER	24
TOWN CAR	LINCOLN	36
TOWNER	KIA	58
TRACER	MERCURY	37
TRACKER	CHEVROLET	50

MODELO	FABRICANTE	PAG.
TRACKER	GEO	51
TRAILBLAZER	CHEVROLET	51
TRAILDUSTER	PLYMOUTH	29
TRANS AM	PONTIAC	55
TRANS SPORT	PONTIAC	55
TREDIA	MITSUBISHI	60
TRIBUTE	MAZDA	59
TROOPER	ISUZU	58
TSUBAME GS-GST-GSX	NISSAN	62
TSURU GSR	NISSAN	62
TSURU I, II, III	NISSAN	62
TUCSON	HYUNDAI	57
TUNDRA	TOYOTA	66
TURISMO	PLYMOUTH	29
TYPHOON	CHEVROLET	51
UNIVERSAL 4 CIL	UNIVERSAL	66
UNIVERSAL 6 CIL	UNIVERSAL	66
UNIVERSAL 8 CIL	UNIVERSAL	66
UPLANDER	CHEVROLET	51
URVAN	NISSAN	62
VALIANT	PLYMOUTH	30
VAN	NISSAN	62
VAN WAGON	MITSUBISHI	60
VAN, VAN WAGON	TOYOTA	66
VANETTA	NISSAN	62
VARIOS	MERCURY	37
VECTRA	OPEL	53
VENTO	VW	68

MODELO	FABRICANTE	PAG.
VENTURE	CHEVROLET	51
VERNA	DODGE	27
VERNA	HYUNDAI	57
VERSA	NISSAN	62
VERSAILLES	LINCOLN	36
VILLAGER VAN	MERCURY	37
VIOLET	NISSAN	62
VIPER	DODGE	27
VISION	EAGLE	28
VISTA	EAGLE	28
VITARA	SUZUKI	64
VOLARE	PLYMOUTH	30
VOYAGER	CHRYSLER	24
VUE	SATURN	56
VW VAN	VW	68
W4	ISUZU	58
WAGONEER	JEEP	28
WAGOVAN	HONDA	56
WAVE	PONTIAC	55
WINDSTAR	FORD	36
WRANGLER	JEEP	29
X90	SUZUKI	64
XANTIA	CITRÖEN	30
XSARA	CITRÖEN	30
XTERRA	NISSAN	62
X-TRAIL	NISSAN	62
YARIS	TOYOTA	66
YUKON	CHEVROLET	51
ZEPHYR	MERCURY	37
ZX	CITRÖEN	30



## ÍNDICE CABLES PVC

MODELO	PAG.
AUTOS	70
BRASILIA	70
CAMIONETAS 100 / 150 / 300 / 350 CAP. RECTO	70
CAMIONETAS CAPUCHON RECTO	70
CAMIONETAS F600 Y B600	70
COMBI	70
CROWN VICTORIA	70
DATSUN SEDAN	70
FALCON	70
GALAXIE	70

MODELO	PAG.
GRAN MARQUIS	70
HORMIGA	70
ICHI VAN	70
LTD	70
MAIRMONT	70
MAVERICK	70
MICROBUS	70
PANEL	70
PICK UP CAPUCHON RECTO Y CODO	70
SAFARI	70

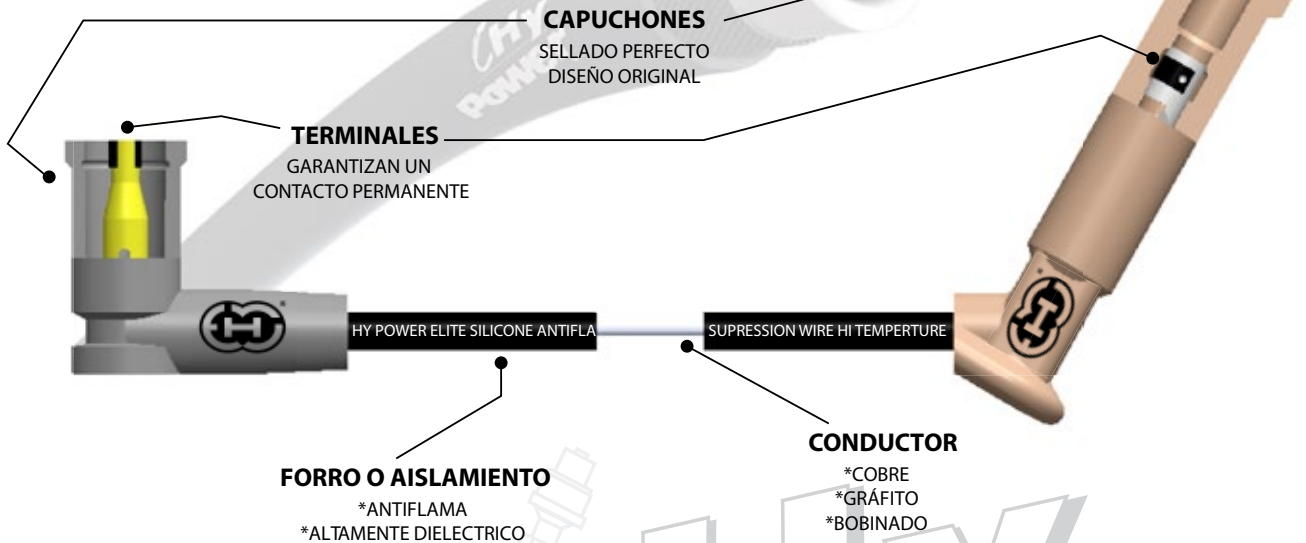
MODELO	PAG.
SAKURA	70
SEDAN	70
UNIVERSAL 4 (EXPORTACIÓN CHILE)	70
UNIVERSAL 4 CIL ENC. CONV.	70
UNIVERSAL 6 (EXPORTACIÓN CHILE)	70
UNIVERSAL 6 CIL ENC. CONV.	70
UNIVERSAL 8 (EXPORTACIÓN CHILE)	70
UNIVERSAL 8 CIL ENC. CONV.	70

## CUALIDADES DEL CABLE PARA BUJÍA



LOS CABLES PARA BUJÍAS **CHY Power** SON DISEÑADOS PARA MINIMIZAR LA RADIOINTERFERENCIA PRODUCIDA POR EL SISTEMA DE IGNICIÓN, LOS CUALES SE APLICAN EN MOTORES DE COMBUSTIÓN INTERNA.

LOS CABLES PARA BUJÍA **CHY Power** SE COMPONEN DE LOS SIGUIENTES ELEMENTOS:



LA RESISTENCIA AL CALOR DE ACUERDO A LOS MATERIALES USADOS EN LA FABRICACIÓN DE LOS CABLES **CHY Power**, CUMPLEN CON LA NORMA INTERNACIONAL J2031.

MATERIAL	TEMPERATURA	DIÁMETRO
SILICON	-40 A +220°C	5, 7 Y 8 mm
EPDM	-40 A +150°C	8 mm
PVC	90 A 105°C	7 mm

## NOMENCLATURA



### IDENTIFICACION DEL PRODUCTO

**B1 975 F 6**

#### TIPO DE CABLE/SERIE

- SILICON BOBINADO = B1
- EPDM GRAFITADO = B5
- EPDM COBRE = B5
- SILICON GRAFITADO = B6
- SILICON COBRE = B6
- PVC COBRE = B8
- PVC GRAFITADO = B9

#### NUMERACIÓN CONSECUTIVA DE 3 Ó 4 DÍGITOS

#### CILINDRAJE DEL MOTOR 3, 4, 5, 6, 8, 10 CILINDROS

#### MARCA DEL VEHÍCULO

- C= CHRYSLER (DODGE, EAGLE, JEEP, PLYMOUTH)
- D= DAEWOO
- DH= DAIHATSU
- F= FORD (LINCOLN, MERCURY)
- FG= UNIVERSAL AMERICANO FORD Y GENERAL MOTORS
- FT= FIAT
- FW= FAW
- G= GENERAL MOTORS (BUICK, CADILLAC, CHEVROLET, GEO, HUMMER, OLDSMOBILE, OPEL, PONTIAC, SAAB, SATURN)
- HN= HONDA (ACURA)
- HY= HYUNDAI
- I= ISUZU
- K= KIA
- LR= LAND ROVER
- MZ= MAZDA
- MC= MINI
- MI= MITSUBISHI
- N= NISSAN (INFINITY)
- PG= PEUGEOT (CITRÖEN)
- R= RENAULT
- SK= SKODA
- ST= SEAT
- SU= SUBARU
- U= UNIVERSALES
- V=VAM
- W= VOLKSWAGEN
- Y= TOYOTA

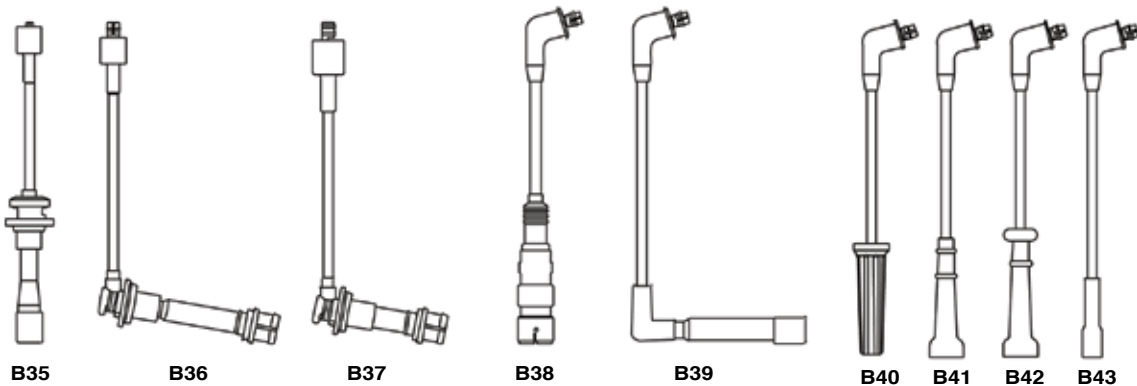
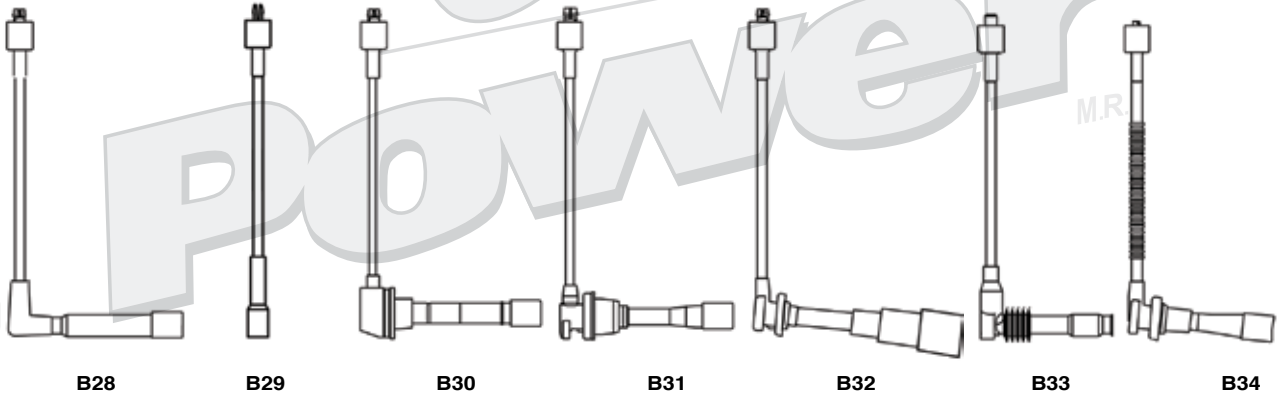
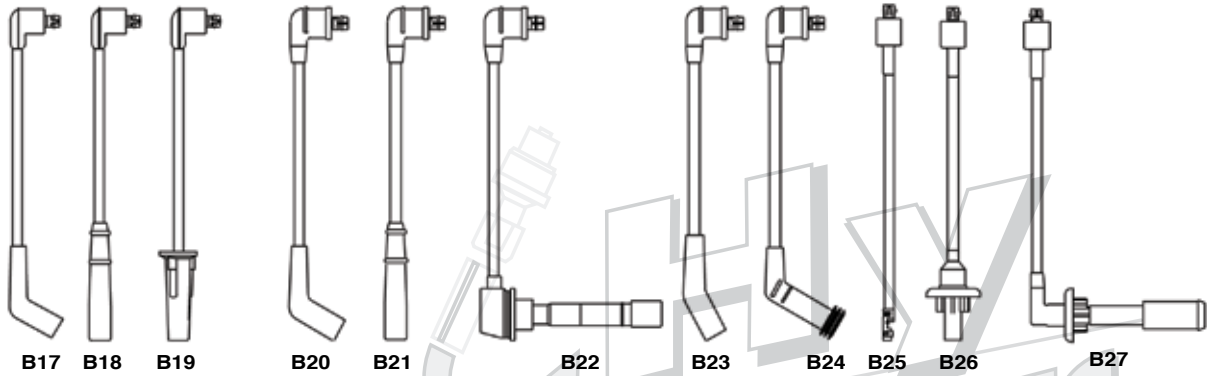
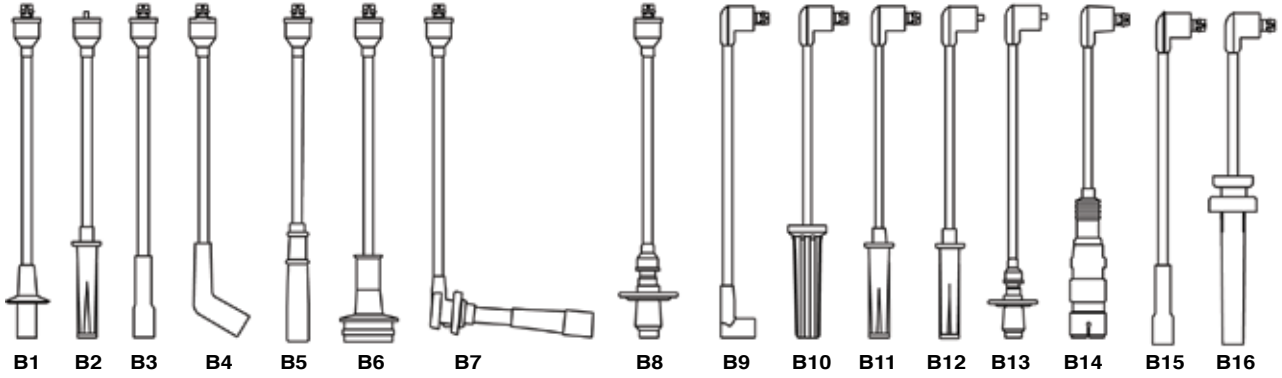
LOS CABLES PARA BUJÍAS, CUENTAN CON LA LÍNEA MÁS AMPLIA DE PRODUCTOS A MEJOR PRECIO OFRECIENDO AL 100% SU CALIDAD Y A SU VEZ GARANTIZANDO UNA CONSTANTE INNOVACIÓN EN NUEVOS PRODUCTOS.

La información aquí mostrada es correcta y verdadera según nuestro mejor conocimiento, ha sido tomada de fuentes oficiales y confiables, sin embargo, nosotros no asumimos ninguna responsabilidad por posibles errores u omisiones.

\*Importante: La información indicada en esta publicación, ha sido obtenida por fuentes confiables y oficiales, consideramos que es correcta, sin embargo no asumimos ninguna responsabilidad por errores, cambios, omisiones o datos que resulten de estos.

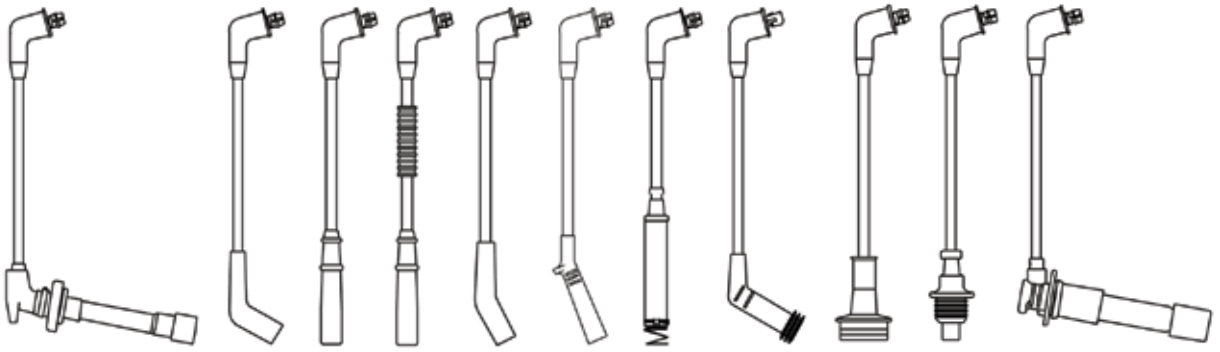


# CIRCUITOS PARA EXTREMO DE LA BUJÍA

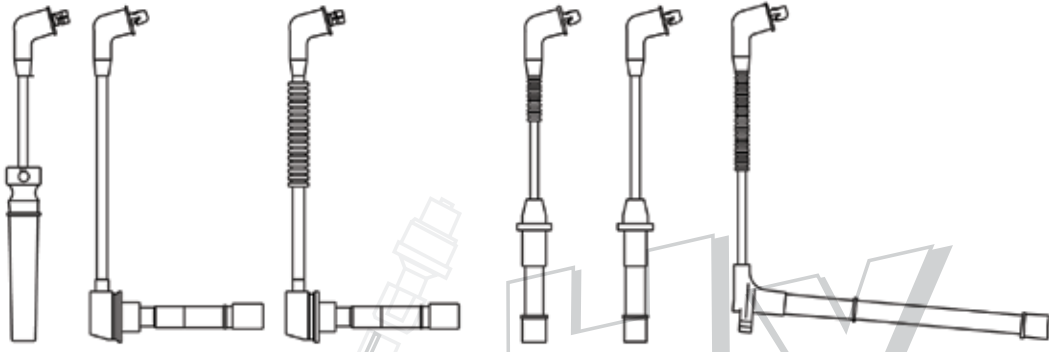


"Importante: La información indicada en esta publicación, ha sido obtenida por fuentes confiables y oficiales, consideramos que es correcta, sin embargo no asumimos ninguna responsabilidad por errores, cambios, omisiones o daños que resultaran de estos".

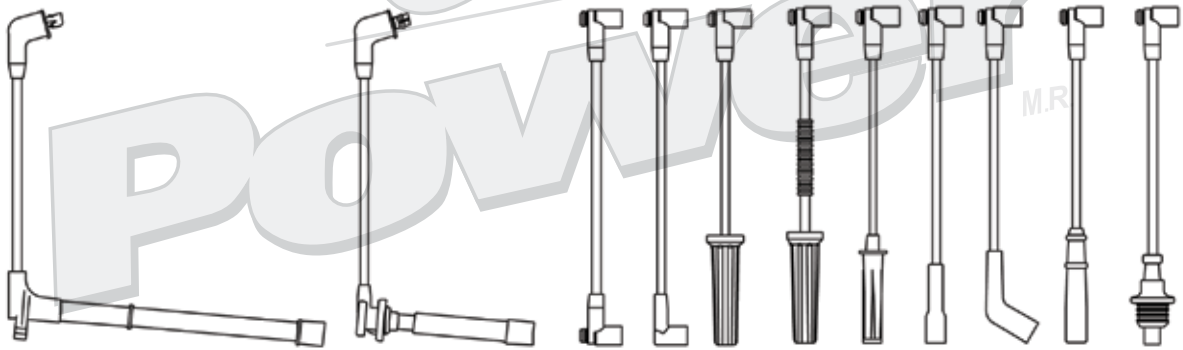
\* Este producto se fabrica con forro de PVC  
 COP: Coil On Plug / Capuchón para Bobina, BUJ: Bujía, DIST: Distribuidor, N/A: No aplica "Las denominaciones y logotipos registrados que se presentan en esta publicación, son propiedad de sus titulares, Cromios SA de CV, no se hace responsable por los cambios de titularidad de los registros de marca a la fecha de la presente publicación, JUNIO 2015"



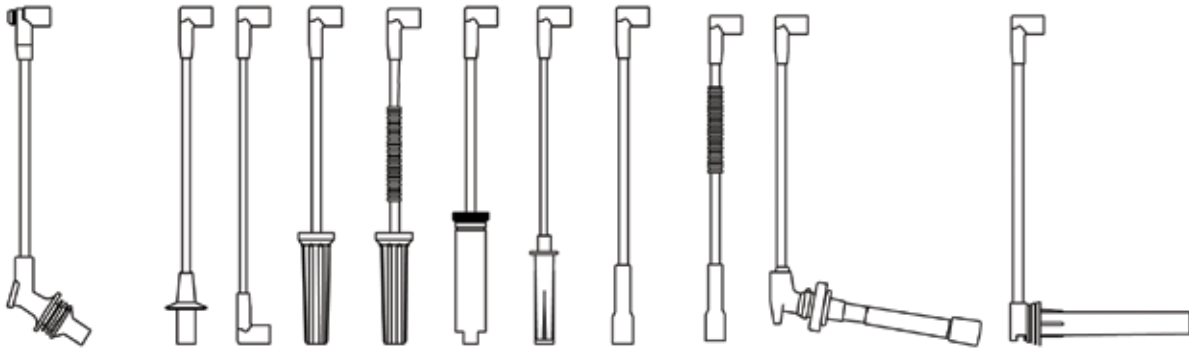
B44 B45 B46 B47 B48 B49 B50 B51 B52 B53 B54



B55 B56 B57 B58 B59 B60



B61 B62 B63 B64 B65 B66 B67 B68 B69 B70 B71



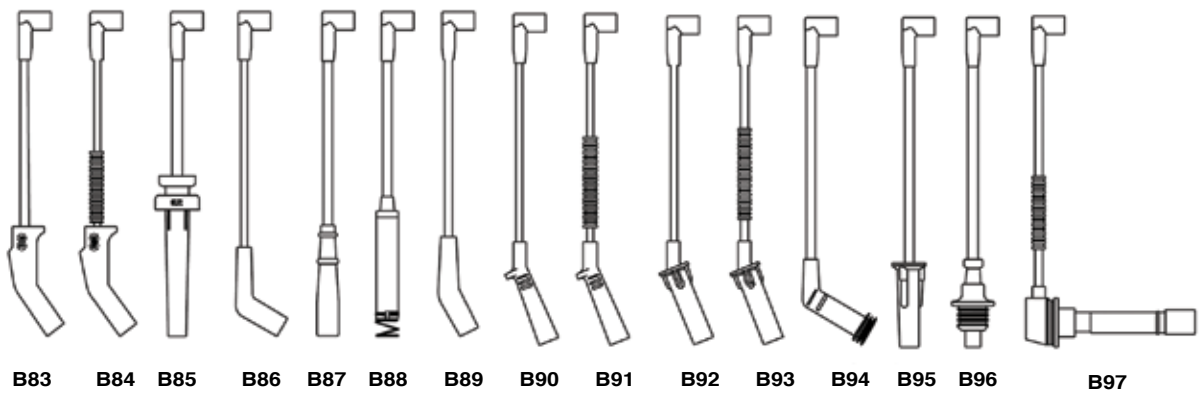
B72 B73 B74 B75 B76 B77 B78 B79 B80 B81 B82

"Importante: La información indicada en esta publicación, ha sido obtenida por fuentes confiables y oficiales, consideramos que es correcta, sin embargo no asumimos ninguna responsabilidad por errores, cambios, omisiones o datos que resulten de estos".

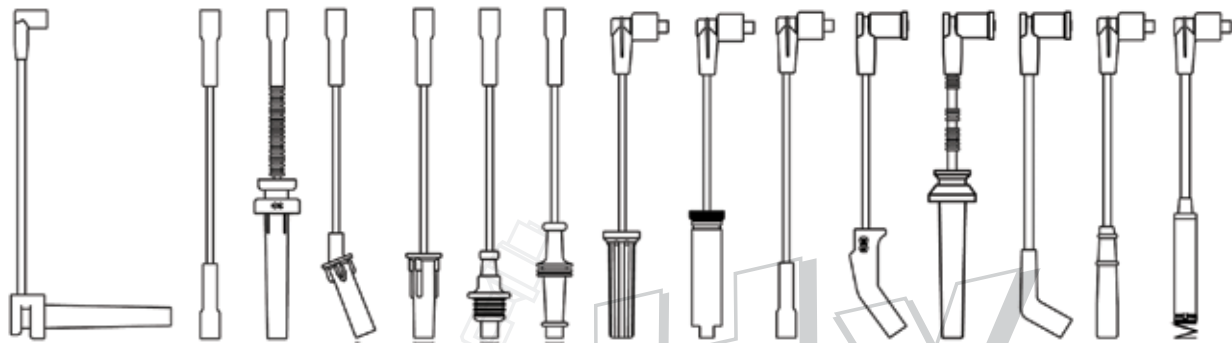




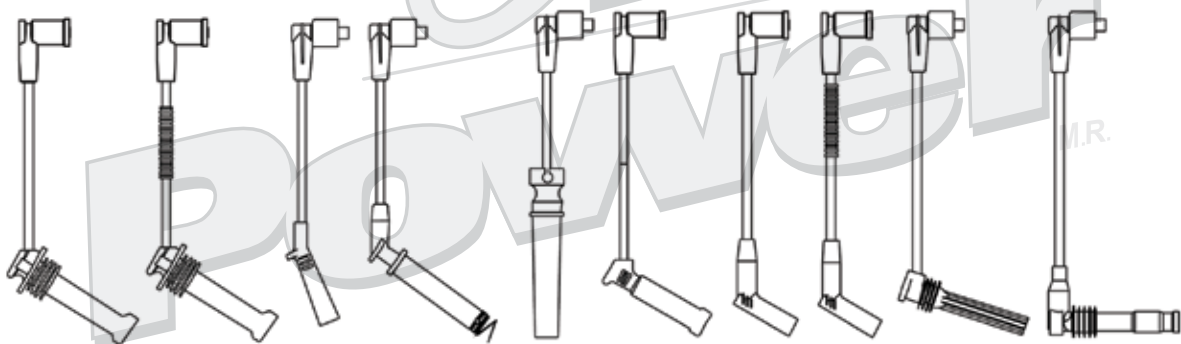
"Importante: La información indicada en esta publicación, ha sido obtenida por fuentes confiables y oficiales, consideramos que es correcta, sin embargo no asumimos ninguna responsabilidad por errores, cambios, omisiones o daños que resultaran de estos".



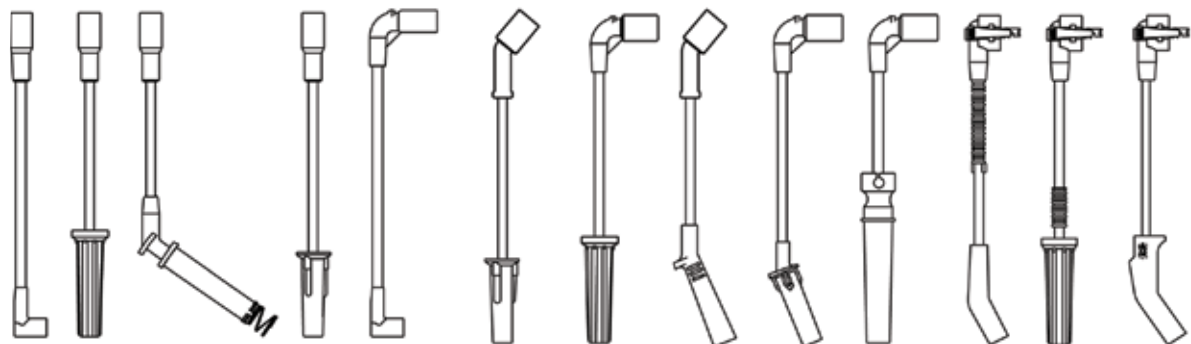
B83 B84 B85 B86 B87 B88 B89 B90 B91 B92 B93 B94 B95 B96 B97



B98 B99 B100 B101 B102 B103 B104 B105 B106 B107 B108 B109 B110 B111 B112



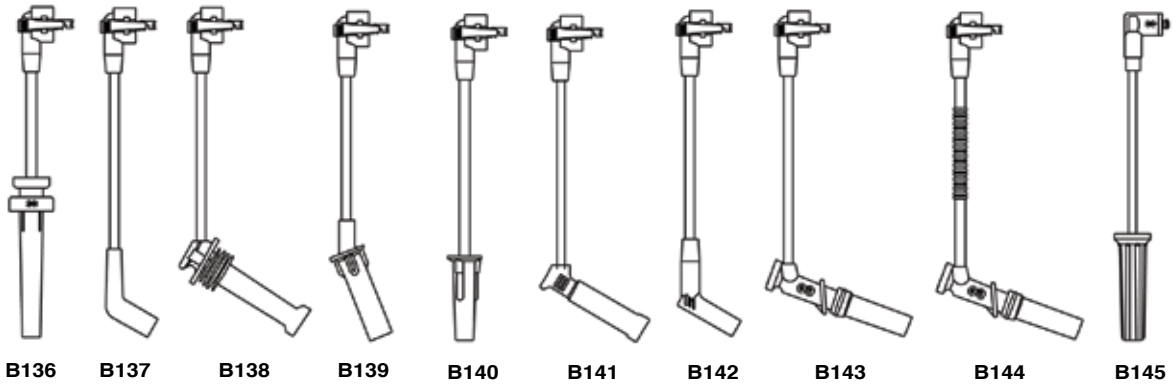
B113 B114 B115 B116 B117 B118 B119 B120 B121 B122



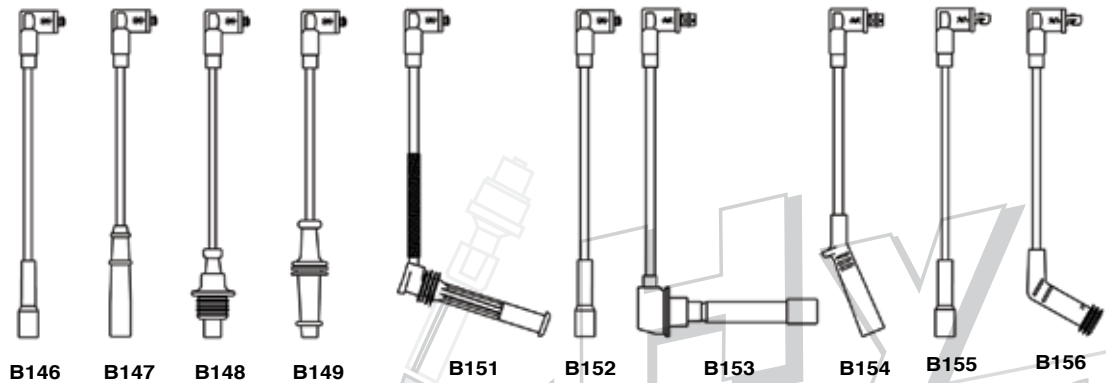
B123 B124 B125 B126 B127 B128 B129 B130 B131 B132 B133 B134 B135



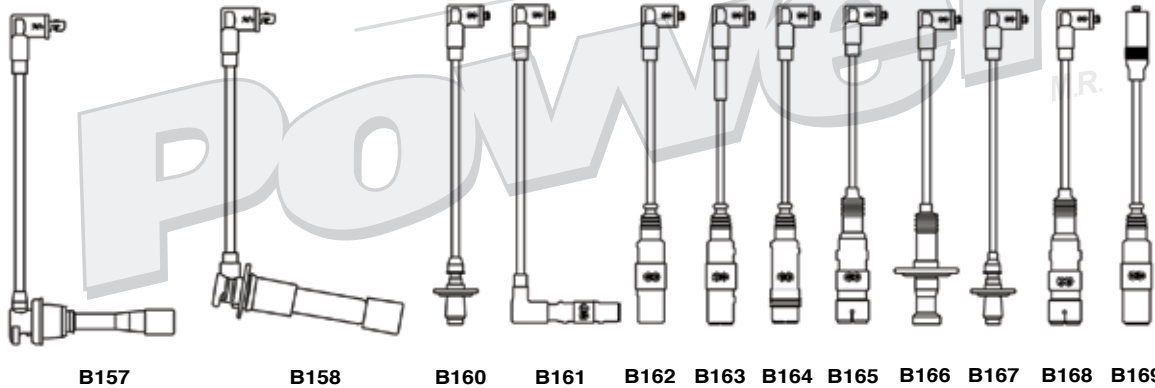
\* Este producto se fabrica con forro de PVC  
 COP: Coil On Plug / Capuchón para Bobina, BUJ: Bujía, DIST: Distribuidor, N/A: No aplica "Las denominaciones y logotipos registrados que se presentan en esta publicación, son propiedad de sus titulares, Cromios SA de CV, no se hace responsable por los cambios de titularidad de los registros de marca a la fecha de la presente publicación, JUNIO 2015"



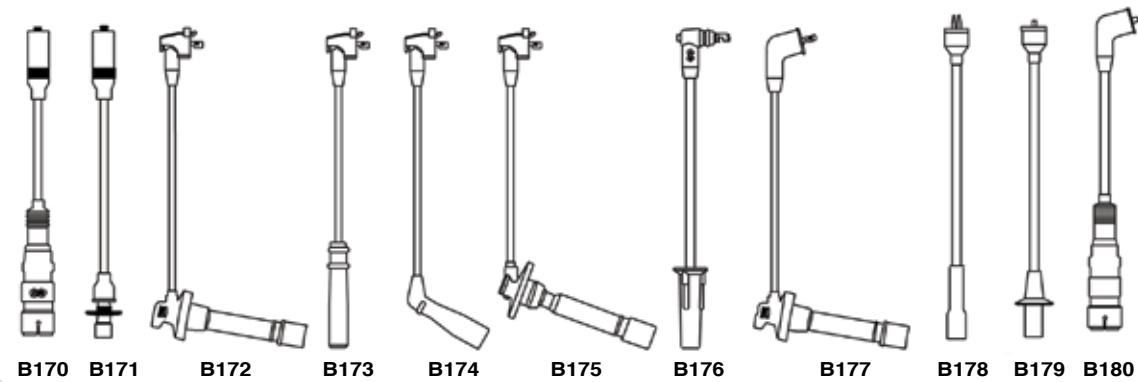
B136 B137 B138 B139 B140 B141 B142 B143 B144 B145



B146 B147 B148 B149 B151 B152 B153 B154 B155 B156



B157 B158 B160 B161 B162 B163 B164 B165 B166 B167 B168 B169

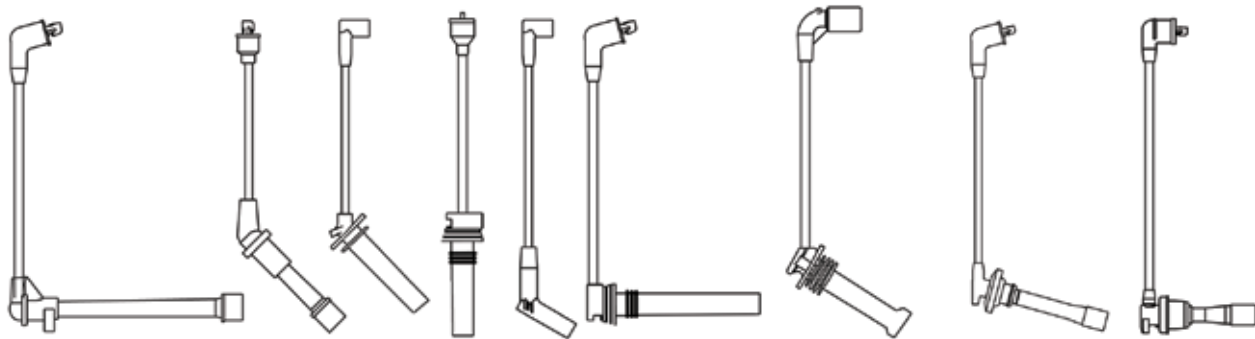


B170 B171 B172 B173 B174 B175 B176 B177 B178 B179 B180

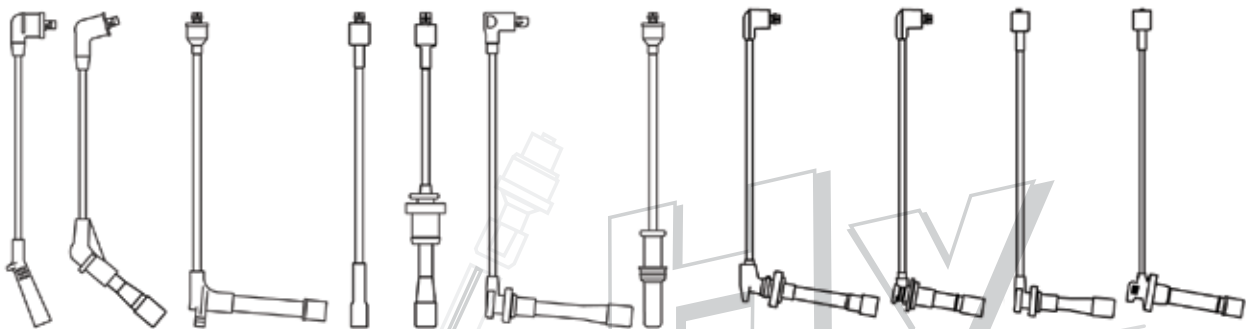
\*Importante: La información indicada en esta publicación, ha sido obtenida por fuentes confiables y oficiales, consideramos que es correcta, sin embargo no asumimos ninguna responsabilidad por errores, cambios, omisiones o datos que resulten de estos.



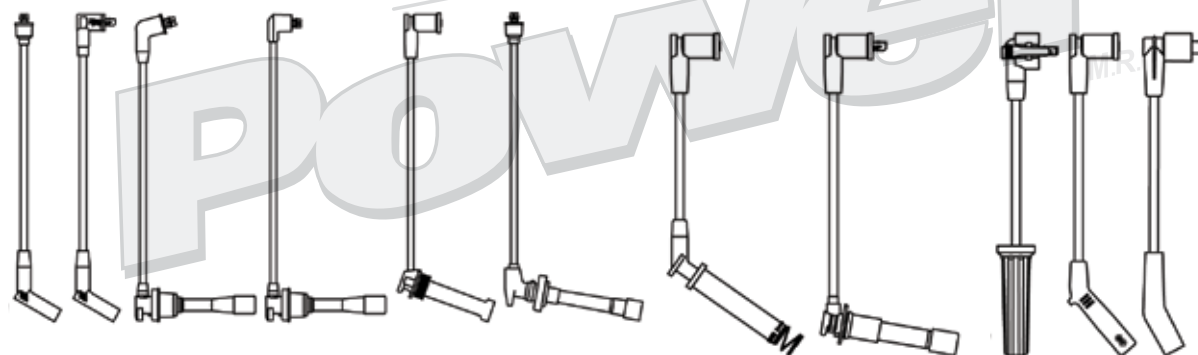
"Importante: La información indicada en esta publicación, ha sido obtenida por fuentes confiables y oficiales, consideramos que es correcta, sin embargo no asumimos ninguna responsabilidad por errores, cambios, omisiones o daños que resultaran de estos".



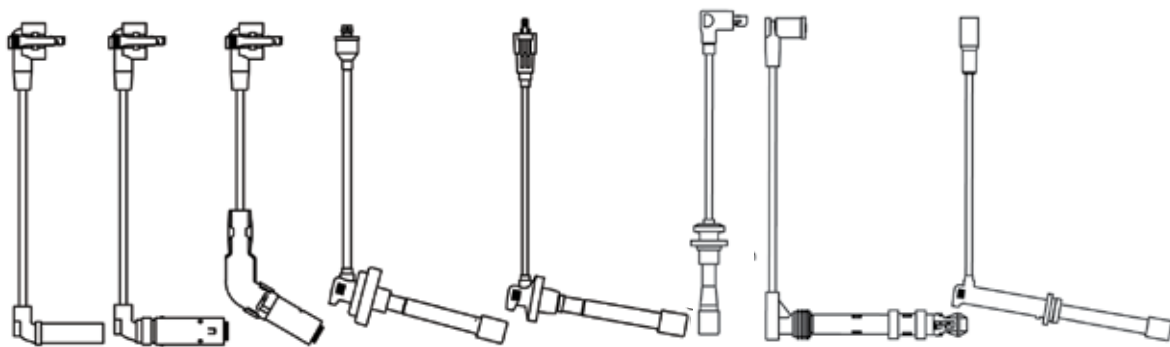
B182 B183 B184 B185 B186 B187 B188 B190 B192



B193 B194 B195 B196 B197 B198 B199 B200 B201 B202 B203



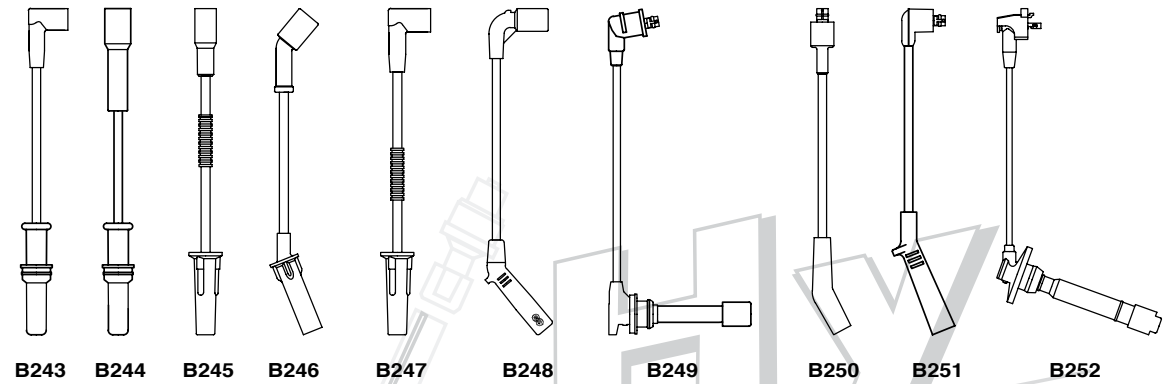
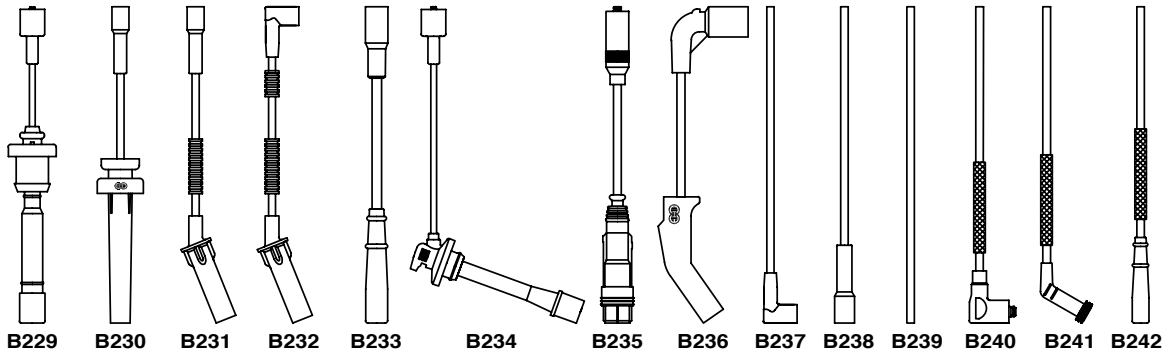
B204 B205 B206 B207 B208 B209 B210 B211 B212 B213 B214



B215 B216 B217 B219 B221 B225 B227 B228

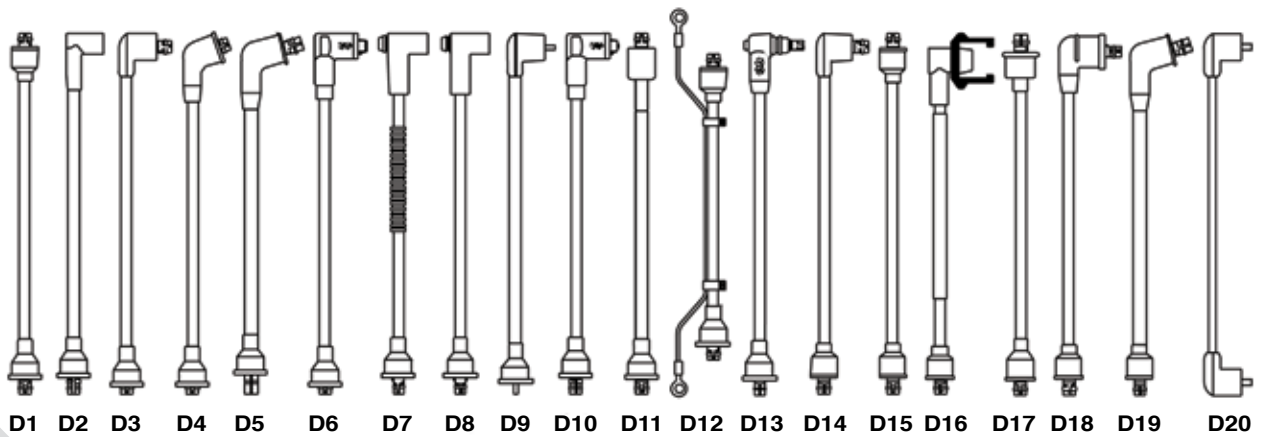
\* Este producto se fabrica con forro de PVC

COP: Coil On Plug / Capuchón para Bobina, BUJ: Bujía, DIST: Distribuidor, N/A: No aplica "Las denominaciones y logotipos registrados que se presentan en esta publicación, son propiedad de sus titulares, Cromios SA de CV, no se hace responsable por los cambios de titularidad de los registros de marca a la fecha de la presente publicación, JUNIO 2015"



**CHY**  
**power** M.R.

**CIRCUITOS PARA EXTREMO DISTRIBUIDOR**

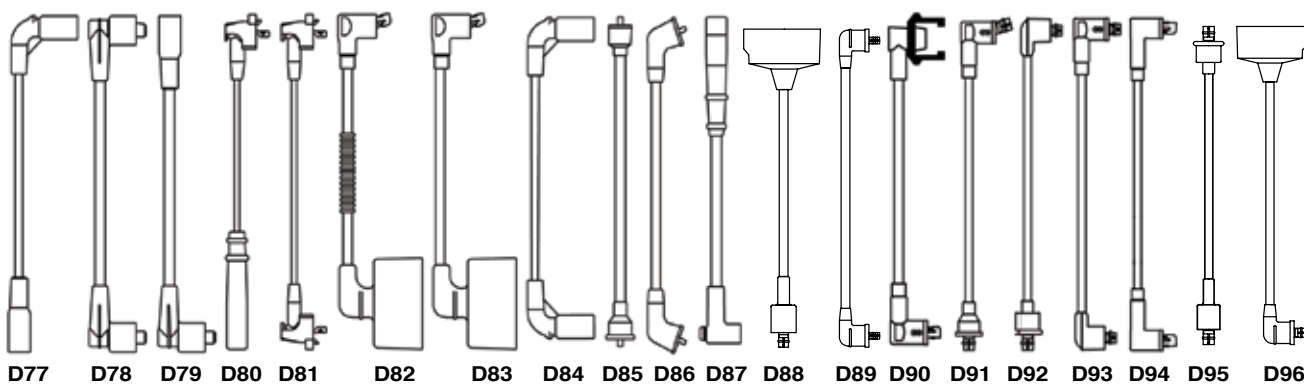
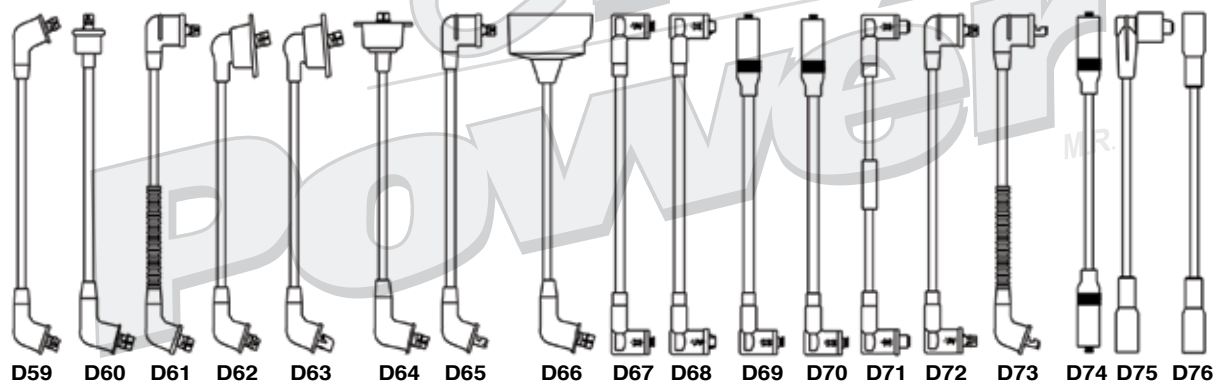
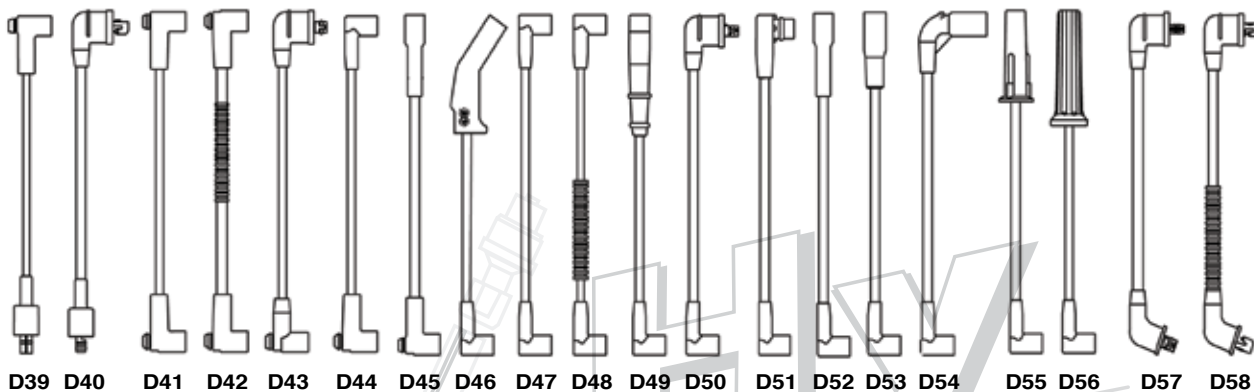
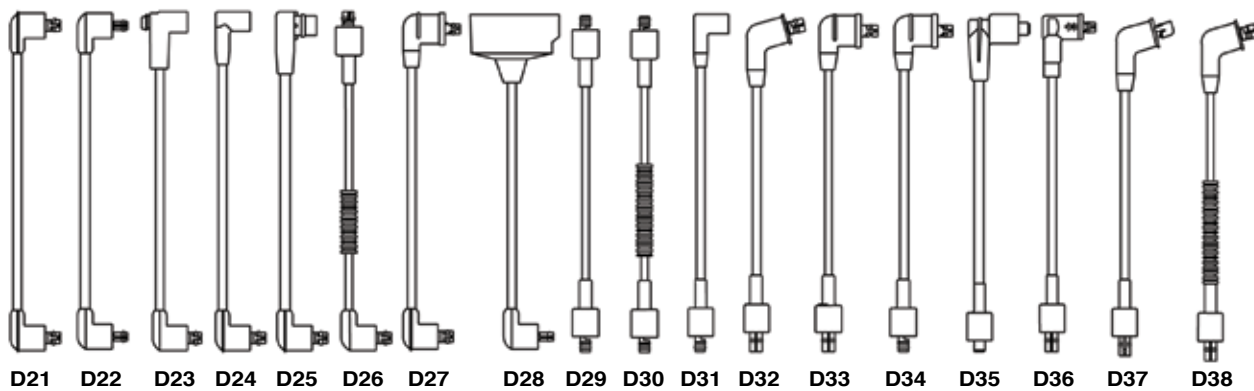


D1 D2 D3 D4 D5 D6 D7 D8 D9 D10 D11 D12 D13 D14 D15 D16 D17 D18 D19 D20

"Importante: La información indicada en esta publicación, ha sido obtenida por fuentes confiables y oficiales, consideramos que es correcta, sin embargo no asumimos ninguna responsabilidad por errores, cambios, omisiones o datos que resulten de estos".



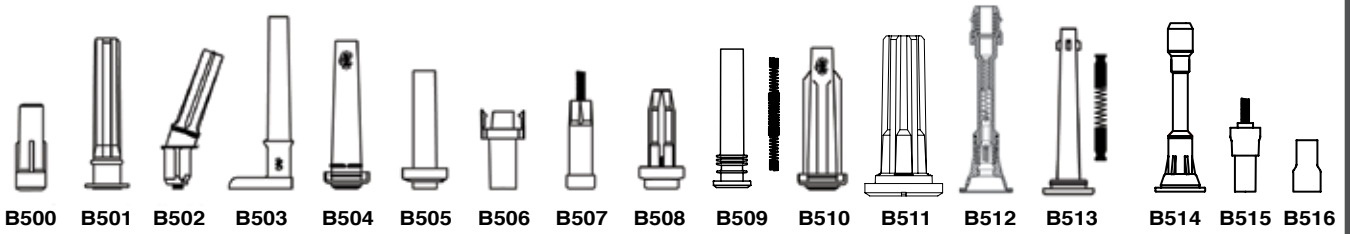
"Importante: La información indicada en esta publicación, ha sido obtenida por fuentes confiables y oficiales, consideramos que es correcta, sin embargo no asumimos ninguna responsabilidad por errores, cambios, omisiones o daños que resultaron de estos".



\* Este producto se fabrica con forro de PVC

COP: Coil On Plug / Capuchón para Bobina, BUJ: Bujía, DIST: Distribuidor, N/A: No aplica "Las denominaciones y logotipos registrados que se presentan en esta publicación, son propiedad de sus titulares, Cromios SA de CV, no se hace responsable por los cambios de titularidad de los registros de marca a la fecha de la presente publicación, JUNIO 2015"

# CAPUCHÓN PARA BOBINA (COIL ON PLUG)



## Conductor Bobinado



Terminales importadas de seguro automático resistentes a la corrosión.

Sellado aislante de alta temperatura.

Capa de **SILICÓN** de alta temperatura.

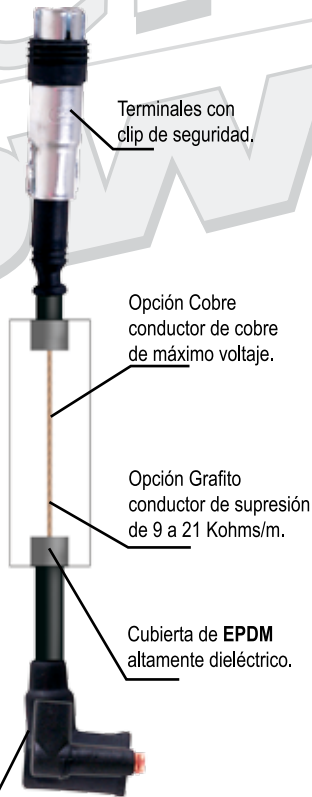
Malla de fibra de vidrio para mayor fuerza y durabilidad.

Cubierta aislante de **EPDM** resistente a máximas cargas dieléctricas.

**EL CONDUCTOR BOBINADO** reparte máximo voltaje sin interferencia de radio frecuencia (IRF) y concuerda con la resistencia O.E.S.

Capuchón de **SILICÓN** aislante a prueba de humedad.

## Conductor de Cobre Conductor de Supresión



Terminales con clip de seguridad.

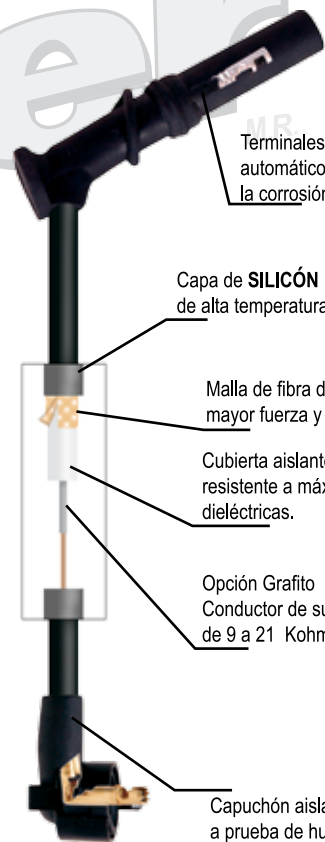
Opción Cobre conductor de cobre de máximo voltaje.

Opción Grafito conductor de supresión de 9 a 21 Kohms/m.

Cubierta de **EPDM** altamente dieléctrico.

Capuchón de **SILICÓN** / conector aislante a prueba de humedad.

## Conductor de Cobre Conductor de Supresión



Terminales de seguro automático resistente a la corrosión.

Capa de **SILICÓN** de alta temperatura.

Malla de fibra de vidrio para mayor fuerza y durabilidad.

Cubierta aislante de **EPDM** resistente a máximas cargas dieléctricas.

Opción Grafito Conductor de supresión de 9 a 21 Kohms/m.

Capuchón aislante a prueba de humedad.

\*Importante: La información indicada en esta publicación, ha sido obtenida por fuentes confiables y oficiales, consideramos que es correcta, sin embargo no asumimos ninguna responsabilidad por errores, cambios, omisiones o datos que resulten de estos.



MODELO / MODEL

AÑO / YEAR

MOTOR / ENGINE

CIL

EPDM

SILICON

ELITE

COP

BUJ

DIST

# CHRYSLER, DODGE, EAGLE, JEEP, PLYMOUTH

<b>300</b>	2005	2.7L (167cid)	6
	2005	5.7L HEMI	8
<b>300M</b>	99-04	3.5L (214cid)	6
	01-04	2.0L DOHC 16V	4
<b>CIRRUS</b>	95-00	2.0L C SOHC	4
	01-06	2.4L DOHC 16V C/TURBO	4
	95-00	2.4L X	4
	95-00	2.5L H	6
	93-96	2.5L H	6
<b>CONCORDE</b>	98-04	2.7, 3.2, 3.5L (167, 197, 214cid)	6
	93-96	3.3L	6
	93-97	3.5L F	6
	80-83	3.7L C, D, E, M	6
<b>CORDOBA</b>	79-81	3.7L	6
	75-83	5.2L G, H, K, M, P	8
	75-79	5.9L	8
<b>E-CLASS</b>	83-84	2.2L D, C, E	4
	83-84	2.6L G	4
<b>EXECUTIVE</b>	1984	2.2L	4
	1984	2.6L	4
<b>FIFTH AVENUE</b>	90-93	3.0L	6
	90-93	3.3L	6
	1983	3.7L K	6
	91-93	3.8L	6
	84-89	5.2L P	8
	90-91	3.0L	6
<b>IMPERIAL</b>	90-93	3.3L	6
	91-93	3.8L	6
	81-83	5.2L J, N, P	8
	73-75	6.6L, 7.2L	8
<b>LASER</b>	90-94	2.0L	4
	83-86	2.2L, 2.5L	4
<b>LEBARON</b>	92-93	2.2L 16 VALVULAS	4
	91-94	2.2L EXC. 16 VALVULAS	4
	91-92	2.2L, 2.5L TURBO	4
	82-91	2.2L, 2.5L	4
	82-90	2.2L, 2.5L	4
	91-95	2.5L	4
	82-85	2.6L	4
	90-95	3.0L	6
	78-81	3.7L C, D, E, F	6
	77-81	3.7L	6
	77-81	5.2L G, H, L, M, N	8
<b>LHS</b>	77-79	5.9L	8
	98-99	2.7L (167cid)	6
	93-97	3.3L T, U	6
	99-01	3.5L (214cid)	6
<b>MAGNUM</b>	93-97	3.5L F	6
	84-94	2.2L, 2.5L TURBO	4
	82-91	2.2L Y 2.5L	4
	2005	3.5L (214cid)	6
	75-92	5.2L, 5.9L	8
	2005	5.7L D HEMI	8
	05-07	5.7L HEMI	8
<b>NEW PORT</b>	79-81	3.7L C, D, E	6
	79-81	5.2L	8
	79-80	5.9L	8
<b>NEW YORKER</b>	88-90	2.2L TURBO	4
	83-88	2.2L	4
	91-93	2.5L	4
	91-93	2.5L TURBO	4
86-90	2.5L	4	

			B6107C6	B501	N/A
B59236C8	B69236C8	B19236C8		B185	N/A
			B6107C6	B501	N/A
B5965C4	B6965C4	B1965C4		B100	N/A
B5334C4	B6334C4	B1334C4		B82	N/A
B5965C4	B6965C4	B1965C4		B100	N/A
B5333C4	B6333C4	B1333C4		B85	N/A
B5825C6	B6825C6	B1825C6		B57	N/A
B5825C6	B6825C6	B1825C6		B90	N/A
			B6107C6	B501	N/A
B5970C6	B6970C6	B1970C6		B90	N/A
B5743C6	B6743C6	B1743C6		B97	N/A
B5300C6	B6300C6	B1300C6		B3	D1
B5301C6	B6301C6	B1301C6		B1	D1
B5790C8	B6790C8	B1790C8		B3	D1
B5790C8	B6790C8	B1790C8		B3	D1
B5543C4	B6543C4	B1543C4		B29	D30 D31
B5857C4	B6857C4	B1857C4		B46	D34
B5543C4	B6543C4	B1543C4		B29	D30 D31
B5857C4	B6857C4	B1857C4		B46	D34
B5842C6	B6842C6	B1842C6		B49	D32
B5736C6	B6736C6	B1736C6		B84	N/A
B5300C6	B6300C6	B1300C6		B3	D1
B5736C6	B6736C6	B1736C6		B84	N/A
B5790C8	B6790C8	B1790C8		B3	D1
B5842C6	B6842C6	B1842C6		B49	D32
B5736C6	B6736C6	B1736C6		B84	N/A
B5736C6	B6736C6	B1736C6		B84	N/A
B5790C8	B6790C8	B1790C8		B3	D1
B5790C8	B6790C8	B1790C8		B3	D1
B5781M4	B6781M4	B1781M4		B31	N/A
B5543C4	B6543C4	B1543C4		B29	D30 D31
B59124C4	B69124C4	B19124C4		B86	N/A
B5712C4	B6712C4	B1712C4		B178	D2
B5843C4	B6843C4	B1843C4		B29	D29
B5750C4	B6750C4	B1750C4		B29	D29
B5543C4	B6543C4	B1543C4		B29	D30 D31
B5712C4	B6712C4	B1712C4		B178	D2
B5857C4	B6857C4	B1857C4		B46	D34
B5842C6	B6842C6	B1842C6		B49	D32
B5300C6	B6300C6	B1300C6		B3	D1
B5301C6	B6301C6	B1301C6		B1	D1
B5790C8	B6790C8	B1790C8		B3	D1
B5790C8	B6790C8	B1790C8		B3	D1
			B6107C6	B501	N/A
B5970C6	B6970C6	B1970C6		B90	N/A
			B6107C6	B501	N/A
B5743C6	B6743C6	B1743C6		B97	N/A
B5843C4	B6843C4	B1843C4		B29	D29
B5750C4	B6750C4	B1750C4		B29	D29
			B6107C6	B501	N/A
B5790C8	B6790C8	B1790C8		B3	D1
			B6114C8	B509	N/A
B59236C8	B69236C8	B19236C8		B185	N/A
B5300C6	B6300C6	B1300C6		B3	D1
B5790C8	B6790C8	B1790C8		B3	D1
B5790C8	B6790C8	B1790C8		B3	D1
B5843C4	B6843C4	B1843C4		B29	D29
B5543C4	B6543C4	B1543C4		B29	D30 D31
B5712C4	B6712C4	B1712C4		B178	D2
B5843C4	B6843C4	B1843C4		B29	D29
B5543C4	B6543C4	B1543C4		B29	D30 D31

\*Importante: La información indicada en esta publicación, ha sido obtenida por fuentes confiables y oficiales, consideramos que es correcta, sin embargo no asumimos ninguna responsabilidad por errores, cambios, omisiones o daños que resultaron de estos.

\* Este producto se fabrica con forro de PVC

COP: Coil On Plug / Capuchón para Bobina, BUJ: Bujía, DIST: Distribuidor, N/A: No aplica "Las denominaciones y logotipos registrados que se presentan en esta publicación, son propiedad de sus titulares, Cromos SA de CV, no se hace responsable por los cambios de titularidad de los registros de marca a la fecha de la presente publicación, JUNIO 2015"





MODELO / MODEL	AÑO / YEAR	MOTOR / ENGINE	CIL
<b>NEW YORKER</b>	83-85	2.6L	4
	88-93	3.0L	6
	88-89	3.0L 181cid	6
	93-96	3.3L	6
	90-93	3.3L	6
	94-96	3.5L F	6
	81-82	3.7L E, G, H	6
	80-81	3.7L	6
	91-92	3.8L	6
	79-82	5.2L	8
77-80	5.9L	8	
<b>PACIFICA</b>	04-06	3.5L (214cid)	6
	04-07	3.8L L	6
<b>PHANTOM</b>	92-93	2.2L 16 Valvulas	4
	84-94	2.2L 2.5L TURBO	4
<b>PT CRUISER</b>	01-06	2.0L DOHC 16 VALVULAS	4
	03-09	2.4L DOHC 16V TURBO	4
	03-07	2.4L DOHC 16V TURBO	4
	01-07	2.4L B, X, S, DOHC 16V	4
<b>SARATOGA</b>	91-93	2.2L, 2.5L	4
	1990	2.5L	4
	1993	3.0L	6
	01-04	2.0L DOHC 16 VALVULAS	4
<b>SEBRING</b>	97-00	2.0L JX CONVERTIBLE	4
	95-00	2.0L Y SIN TURBO	4
	01-06	2.4L X (TURBO) DOHC 16V	4
	01-05	2.4L 2 cables	4
	95-97	2.4L	4
	95-00	2.5L H, NJXI, LX, LXI	6
	01-05	2.7L (167cid)	6
	03-05	3.0L 3	6
<b>TC MASERATI</b>	88-90	2.2L	4
	90-91	3.0L 3	6
<b>TC TURBO</b>	89-90	2.2L 8V	4
<b>TOWN &amp; COUNTRY</b>	84-88	2.2L	4
	96-97	2.4L	4
	91-95	2.5L	4
	88-90	2.5L	4
	1984	2.6L	4
	90-97	3.0L	6
	01-07	3.3L R (LXI, T & C LX)	6
	96-00	3.3L R, 3.8L	6
	90-95	3.3L R, J, 3.8L (94-95)	6
	90-95	3.3L R, J, 3.8L (94-95)	6
	01-07	3.8L L	6
	96-00	3.8L	8
	94-95	3.8L	6
	84-87	2.2L	4
	01-03	2.4L B	4
	96-00	2.4L B	4
91-95	2.5L	4	
88-90	2.5L	4	
84-87	2.6L	4	
<b>VOYAGER, GRAND VOYAGER</b>	90-00	3.0L, 3	6
	87-89	3.0L	6
	01-07	3.3L R (LX, XL)	6
	98-00	3.3L G EGM FLEX FUEL	6
	96-00	3.3L R, 3.8L (96-99)	6
	90-95	3.3L, 3.8L (94-95)	6
	90-95	3.3L, 3.8L (94-95)	6

EPDM	SILICON	ELITE	COP	BUJ	DIST
B5857C4	B6857C4	B1857C4		B46	D34
B5842C6	B6842C6	B1842C6		B49	D32
B5841C6	B6841C6	B1841C6		B49	D57
B5970C6	B6970C6	B1970C6		B90	N/A
B5736C6	B6736C6	B1736C6		B84	N/A
B5743C6	B6743C6	B1743C6		B97	N/A
B5300C6	B6300C6	B1300C6		B3	D1
B5301C6	B6301C6	B1301C6		B1	D1
B5736C6	B6736C6	B1736C6		B84	N/A
B5790C8	B6790C8	B1790C8		B3	D1
B5790C8	B6790C8	B1790C8		B3	D1
			B6107C6	B501	N/A
B5985C6	B6985C6	B1985C6		B101	N/A
B59124C4	B69124C4	B19124C4		B86	N/A
B5843C4	B6843C4	B1843C4		B29	D29
B5965C4	B6965C4	B1965C4		B100	N/A
	B69393C4	B19393C4		B85, B230	N/A
B5965C4	B6965C4	B1965C4		B100	N/A
B5965C4	B6965C4	B1965C4		B100	N/A
B5712C4	B6712C4	B1712C4		B178	D2
B5543C4	B6543C4	B1543C4		B29	D30 D31
B5842C6	B6842C6	B1842C6		B49	D32
B5965C4	B6965C4	B1965C4		B100	N/A
B5334C4	B6334C4	B1334C4		B82	N/A
B5333C4	B6333C4	B1333C4		B85	N/A
B5965C4	B6965C4	B1965C4		B100	N/A
	B69372MM4 5mm			B229	N/A
B5333C4	B6333C4	B1333C4		B85	N/A
B5825C6	B6825C6	B1825C6		B57	N/A
			B6107C6	B501	N/A
B5825C6	B6825C6	B1825C6		B57	N/A
B5543C4	B6543C4	B1543C4		B29	D30 D31
B5842C6	B6842C6	B1842C6		B49	D32
B5543C4	B6543C4	B1543C4		B29	D30 D31
B5543C4	B6543C4	B1543C4		B29	D30 D31
B5333C4	B6333C4	B1333C4		B85	N/A
B5712C4	B6712C4	B1712C4		B178	D2
B5543C4	B6543C4	B1543C4		B29	D30 D31
B5857C4	B6857C4	B1857C4		B46	D34
B5842C6	B6842C6	B1842C6		B49	D32
B5985C6	B6985C6	B1985C6		B101	N/A
B59160C6	B69160C6	B19160C6		B77	N/A
B5736C6	B6736C6	B1736C6		B84	N/A
B5783C6	B6783C6	B1783C6		B90 B91	N/A
B5985C6	B6985C6	B1985C6		B101	N/A
B59160C6	B69160C6	B19160C6		B77	N/A
B5736C6	B6736C6	B1736C6		B84	N/A
B5543C4	B6543C4	B1543C4		B29	D30 D31
B5965C4	B6965C4	B1965C4		B100	N/A
B5333C4	B6333C4	B1333C4		B85	N/A
B5712C4	B6712C4	B1712C4		B178	D2
B5543C4	B6543C4	B1543C4		B29	D30 D31
B5857C4	B6857C4	B1857C4		B46	D34
B5842C6	B6842C6	B1842C6		B49	D32
B5841C6	B6841C6	B1841C6		B49	D57
B5985C6	B6985C6	B1985C6		B101	N/A
B59160C6	B69160C6	B19160C6		B77	N/A
B59160C6	B69160C6	B19160C6		B77	N/A
B5736C6	B6736C6	B1736C6		B84	N/A
B5783C6	B6783C6	B1783C6		B90 B91	N/A

\*Importante: La información indicada en esta publicación, ha sido obtenida por fuentes confiables y oficiales, consideramos que es correcta, sin embargo no asumimos ninguna responsabilidad por errores, cambios, omisiones o datos que resulten de estos.





\*Importante: La información indicada en esta publicación, ha sido obtenida por fuentes confiables y oficiales, consideramos que es correcta, sin embargo no asumimos ninguna responsabilidad por errores, cambios, omisiones o daños que resultaran de estos.

MODELO / MODEL	AÑO / YEAR	MOTOR / ENGINE	CIL
<b>300C</b>	2005	5.7L HEMI	8
<b>400</b>	82-83	2.2L	4
	82-83	2.6L	4
<b>600</b>	83-88	2.2L, 2.5L (1988)	4
	83-85	2.5L	4
<b>ARIES</b>	81-89	2.2L, 2.5L (86-89)	4
	81-85	2.6L	4
<b>ASPEN</b>	76-80	3.7L	6
	76-80	3.7L	6
	76-80	5.2L, 5.9L	8
<b>ATOS</b>	00-12	1.0L, 1.1L	4
<b>ATTITUDE</b>	06-10	1.4L	4
<b>AVENGER</b>	95-99	2.0L Y	4
	95-00	2.5L N	6
<b>CAMIONES Y CAMIONETAS</b>	78-89	2.6L (156cid)(2 Cab p/bobina)	4
	TODOS	UNIVERSAL CHRSLER 4 Cil	4
	72-92	360cid Fuel Injection	8
	67-71	360cid MICROBUS DODGE	8
	67-70	5.9L	8
<b>CARAVAN, GRAND CARAVAN</b>	84-87	2.2L	4
	01-06	2.4L B	4
	96-00	2.4L B	4
	2004	2.5L	4
	91-95	2.5L	4
	88-90	2.5L	4
	84-87	2.6L	4
	90-00	3.0L, 3	6
	87-89	3.0L	6
	01-08	3.3L R (01-07), 3.8L (SE, Sport)	6
	96-00	3.3L R, G, 3.8L	6
	90-95	3.3L, 3.8L (92-95)	6
	<b>CHARGER</b>	83-87	1.7L (1983), 2.2L
70-76		3.7L	6
70-78		4.5L, 5.2L, 5.9L	8
06-07		5.7L HEMI	8
<b>COLT</b>	78-80	2.6L 2555cc	4
<b>COLT VISTA</b>	79-84	1.4L	4
	92-95	1.5L	4
	89-90	1.5L CANADA (NO WAGON)	4
	87-91	1.5L WAGON	4
	89-90	1.6L, 1.6L Y	4
	85-90	1.6L, 1.8L	4
	80-84	1.6L	4
	92-98	1.8L	4
	87-91	2.0L 1997cc	4
	92-98	2.4L	4
	<b>CORONET</b>	75-92	5.2L, 5.9L
87-88		2.2L (87-88), 2.5L (89-90)	4
96-01		2.5L P	4
91-95		2.5L	4
92-03		3.9L X	6
89-92		3.9L	6
92-99		5.2L MPI (92-98), 5.2L (1999)	8
93-01		5.2L, 5.9L	8
<b>DAKOTA</b>	90-92	5.2L TBI Y EXC TBI	8
	99-03	5.9L Z	8
	93-95	5.9L	8
	1992	5.9L	8
	82-91	2.2 Y 2.5L "K"	4
	76-82	170, 225 cid 3.7L	6
	66-75	170, 225 cid 3.7L	6
	75-92	5.2L, 5.9L	8
<b>DART</b>	92-93	2.2L 16 VALVULAS	4
	91-93	2.2L EXCEPTO 16V	4
	84-90	2.2L	4
	87-93	2.5L	4
<b>DAYTONA</b>	90-93	3.0L	6
	78-83	3.7L	6
	77-89	5.2L	8
<b>DIPLOMAT</b>	1980	5.9L	8

EPDM	SILICON	ELITE	COP	BUJ	DIST
			B6114C8	B509	N/A
B5543C4	B6543C4	B1543C4		B29	D30 D31
B5857C4	B6857C4	B1857C4		B46	D34
B5543C4	B6543C4	B1543C4		B29	D30 D31
B5857C4	B6857C4	B1857C4		B46	D34
B5543C4	B6543C4	B1543C4		B29	D30 D31
B5857C4	B6857C4	B1857C4		B46	D34
B5300C6	B6300C6	B1300C6		B3	D1
B5301C6	B6301C6	B1301C6		B1	D1
B5790C8	B6790C8	B1790C8		B3	D1
B5779HY4	B6779HY4	B1779HY4		B51	N/A
B59304C4	B69304C4	B19304C4		B159	N/A
B5334C4	B6334C4	B1334C4		B82	N/A
B5825C6	B6825C6	B1825C6		B57	N/A
B5753C4	B6753C4	B1753C4		B3	D1
B5767C4	B6767C4	B1767C4		B178	D1
B5343C8	B6343C8	B1343C8		B75	D47
B5752C8	B6752C8	B1752C8		B3	D1
B5702C8	B6702C8	B1702C8		B3	D1
B5543C4	B6543C4	B1543C4		B29	D30 D31
B5965C4	B6965C4	B1965C4		B100	N/A
B5333C4	B6333C4	B1333C4		B85	N/A
B5965C4	B6965C4	B1965C4		B100	N/A
B5712C4	B6712C4	B1712C4		B178	D2
B5543C4	B6543C4	B1543C4		B29	D30 D31
B5857C4	B6857C4	B1857C4		B46	D34
B5842C6	B6842C6	B1842C6		B49	D32
B5841C6	B6841C6	B1841C6		B49	D57
B5985C6	B6985C6	B1985C6		B101	N/A
B59160C6	B69160C6	B19160C6		B77	N/A
B5736C6	B6736C6	B1736C6		B84	N/A
B5543C4	B6543C4	B1543C4		B29	D30 D31
B5301C6	B6301C6	B1301C6		B1	D1
B5790C8	B6790C8	B1790C8		B3	D1
B59236C8	B69236C8	B19236C8		B185	N/A
B5857C4	B6857C4	B1857C4		B46	D34
B5755M4	B6755M4	B1755M4		B46	D32
B59209M4	B69209M4	B19209M4		B45	N/A
B5824C4	B6824C4	B1824C4		B43	D4
B5849C4	B6849C4	B1849C4		B49	D32 D33
B5781M4	B6781M4	B1781M4		B31	N/A
B5849C4	B6849C4	B1849C4		B49	D32 D33
B5755M4	B6755M4	B1755M4		B46	D32
B59120M4	B69120M4	B19120M4		B56	N/A
B5849C4	B6849C4	B1849C4		B49	D32 D33
B5849C4	B6849C4	B1849C4		B49	D32 D33
B5790C8	B6790C8	B1790C8		B3	D1
B5543C4	B6543C4	B1543C4		B29	D30 D31
B5907C4	B6907C4	B1907C4		B80 B90	D48
B5712C4	B6712C4	B1712C4		B178	D2
B5791C6	B6791C6	B1791C6		B75	D47
B5820C6	B6820C6	B1820C6		B15	D3
B5983C8	B6983C8	B1983C8		B92	D47
B5703C8	B6703C8	B1703C8		B75	D47
B5790C8	B6790C8	B1790C8		B3	D1
B5983C8	B6983C8	B1983C8		B92	D47
B5983C8	B6983C8	B1983C8		B92	D47
B5790C8	B6790C8	B1790C8		B3	D1
B5750C4	B6750C4	B1750C4		B29	D29
B5300C6	B6300C6	B1300C6		B3	D1
B5301C6	B6301C6	B1301C6		B1	D1
B5790C8	B6790C8	B1790C8		B3	D1
B59124C4	B69124C4	B19124C4		B86	N/A
B5712C4	B6712C4	B1712C4		B178	D2
B5543C4	B6543C4	B1543C4		B29	D30 D31
B5543C4	B6543C4	B1543C4		B29	D30 D31
B5842C6	B6842C6	B1842C6		B49	D32
B5300C6	B6300C6	B1300C6		B3	D1
B5790C8	B6790C8	B1790C8		B3	D1
B5790C8	B6790C8	B1790C8		B3	D1

\* Este producto se fabrica con forro de PVC

COP: Coil On Plug / Capuchón para Bobina, BUJ: Bujía, DIST: Distribuidor, N/A: No aplica "Las denominaciones y logotipos registrados que se presentan en esta publicación, son propiedad de sus titulares, Cromios SA de CV, no se hace responsable por los cambios de titularidad de los registros de marca a la fecha de la presente publicación, JUNIO 2015"



MODELO / MODEL	AÑO / YEAR	MOTOR / ENGINE	CIL
<b>DURANGO</b>	98-99	3.9	6
	98-03	5.0L Z, 5.2L MAGNUM	8
	98-02	5.2L, 5.9L	8
	04-05	5.7L D HEMI	8
	04-07	5.7L HEMI	8
	93-00	5.9L 360cid MPFI	8
<b>DYNASTY</b>	91-93	2.5L	4
	89-90	2.5L	4
	90-93	3.0L	6
	88-89	3.0L	6
	90-93	3.3L Y 3.8L	6
	04-12	2.4L (GASOLINA) MEXICO	4
<b>H100</b>	93-98	2.4L (GASOLINA)	4
<b>H1000</b>	08-10	2.4L	4
<b>INTREPID</b>	98-04	2.7L, 3.2L (167, 197cid)	6
	93-97	3.3L	6
	98-04	3.5L (214cid)	6
	93-97	3.5L	6
<b>i10</b>	11-14	1.1L	4
<b>LANCER</b>	79-82	1.6L 1600cc (RWD)	4
	02-04	2.0L 2 CABLES	4
	85-89	2.2L, 2.5L (87-89)	4
<b>MAGNUM</b>	84-94	2.2L, 2.5L TURBO	4
	82-91	2.2L Y 2.5L	4
	2005	3.5L (214cid)	6
	92-03	5.2L, 5.9L	8
	75-92	5.2L, 5.9L	8
	2005	5.7L D HEMI	8
	05-07	5.7L HEMI	8
	<b>MINI RAM 50 D50, PICK UP</b>	80-89	2.0L
90-93		2.4L	4
1988		2.6L DE 12/86	4
80-89		2.6L	4
91-94		3.0L	6
<b>MINI RAM VAN</b>	1990	2.5L	4
	1989	2.5L	4
	84-85	2.6L	4
	1991	3.0L	6
	87-88	3.0L	6
	1991	3.3L	6
<b>MIRADA</b>	80-83	3.7L	6
	80-83	5.2L, 5.9L	8
<b>MONACO</b>	71-74	3.7L	6
	75-92	5.2L, 5.9L	8
<b>NEON</b>	02-04	2.0L	4
	2000	2.0L 16 VALVULAS	4
	95-05	2.0L SOHC 16 VALVULAS	4
	95-99	2.0L DOHC 16 VALVULAS	4
	04-05	2.4L	4
	03-05	2.4L TURBO	4
<b>OMNI</b>	80-83	1.7L	4
	81-90	2.2L	4
<b>RAIDER</b>	1998	2.6L	4
	87-89	2.6L	4
	89-90	3.0L cables largos	6
	89-90	3.0L doble cable p/bobina	6
	1989	3.0L	6
<b>RAM CHARGER, PICK UP RAM 1500 2500 3500 SERIES D, W</b>	92-01	5.2L Y, MPI	8
	92-95	5.2L, 5.9L	8
	75-92	5.2L, 5.2L TBI, 5.9L	8
	05-07	5.7L HEMI	8
	00-12	5.9L Fuel Inj Doble Rodada	8
	93-00	5.9L 360cid MPFI	8
	92-03	5.9L Z, 5, MPI	8

EPDM	SILICON	ELITE	COP	BUJ	DIST
B5791C6	B6791C6	B1791C6		B75	D47
B5983C8	B6983C8	B1983C8		B92	D47
B5703C8	B6703C8	B1703C8		B75	D47
			B6114C8	B509	N/A
B59236C8	B69236C8	B19236C8		B185	N/A
B5703C8	B6703C8	B1703C8		B75	D47
B5712C4	B6712C4	B1712C4		B178	D2
B5543C4	B6543C4	B1543C4		B29	D30 D31
B5842C6	B6842C6	B1842C6		B49	D32
B5841C6	B6841C6	B1841C6		B49	D57
B5736C6	B6736C6	B1736C6		B84	N/A
B5778HY4	B6778HY4	B1778HY4		B49	D32
B5805HY4	B6805HY4	B1805HY4		B49	D32
	B69355HY4 (5mm)			B203	N/A
			B6107C6	B501	N/A
B5970C6	B6970C6	B1970C6		B90	N/A
			B6107C6	B501	N/A
B5743C6	B6743C6	B1743C6		B97	N/A
B5779HY4	B6779HY4	B1779HY4		B51	N/A
B5755M4	B6755M4	B1755M4		B46	D32
	B69372M14 5mm			B229	N/A
B5543C4	B6543C4	B1543C4		B29	D30 D31
B5843C4	B6843C4	B1843C4		B29	D29
B5750C4	B6750C4	B1750C4		B29	D29
			B6107C6	B501	N/A
B5983C8	B6983C8	B1983C8		B92	D47
B5790C8	B6790C8	B1790C8		B3	D1
			B6114C8	B509	N/A
B59236C8	B69236C8	B19236C8		B185	N/A
B5824C4	B6824C4	B1824C4		B43	D4
B5857C4	B6857C4	B1857C4		B46	D34
B5543C4	B6543C4	B1543C4		B29	D30 D31
B5857C4	B6857C4	B1857C4		B46	D34
B5821C6	B6821C6	B1821C6		B49	D5
B5712C4	B6712C4	B1712C4		B178	D2
B5543C4	B6543C4	B1543C4		B29	D30 D31
B5857C4	B6857C4	B1857C4		B46	D34
B5842C6	B6842C6	B1842C6		B49	D32
B5841C6	B6841C6	B1841C6		B49	D57
B5736C6	B6736C6	B1736C6		B84	N/A
B5300C6	B6300C6	B1300C6		B3	D1
B5790C8	B6790C8	B1790C8		B3	D1
B5301C6	B6301C6	B1301C6		B1	D1
B5790C8	B6790C8	B1790C8		B3	D1
B5965C4	B6965C4	B1965C4		B100	N/A
B5335C4	B6335C4	B1335C4		B82	N/A
B5334C4	B6334C4	B1334C4		B82	N/A
B5333C4	B6333C4	B1333C4		B85	N/A
	B69393C4	B19393C4		B85, B230	N/A
B5965C4	B6965C4	B1965C4		B100	N/A
B5543C4	B6543C4	B1543C4		B29	D30 D31
B5543C4	B6543C4	B1543C4		B29	D30 D31
B5712C4	B6712C4	B1712C4		B178	D2
B5824C4	B6824C4	B1824C4		B43	D4
B5821C6	B6821C6	B1821C6		B49	D5
B5842C6	B6842C6	B1842C6		B49	D32
B59121M16	B69121M16	B19121M16		B46	D37
B5983C8	B6983C8	B1983C8		B92	D47
B5703C8	B6703C8	B1703C8		B75	D47
B5790C8	B6790C8	B1790C8		B3	D1
B59236C8	B69236C8	B19236C8		B185	N/A
B5984C8	B6984C8	B1984C8		B76	D47
B5703C8	B6703C8	B1703C8		B75	D47
B5983C8	B6983C8	B1983C8		B92	D47

\*Importante: La información indicada en esta publicación, ha sido obtenida por fuentes confiables y oficiales, consideramos que es correcta, sin embargo no asumimos ninguna responsabilidad por errores, cambios, omisiones o datos que resulten de estos.



\*Importante: La información indicada en esta publicación, ha sido obtenida por fuentes confiables y oficiales, consideramos que es correcta, sin embargo no asumimos ninguna responsabilidad por errores, cambios, omisiones o daños que resultaron de estos.

MODELO / MODEL	AÑO / YEAR	MOTOR / ENGINE	CIL
<b>RAM CHARGER, PICK UP RAM 1500 SERIES D, W</b>	65-74	2.8L, 3.2L, 3.7L, 4.1L	6
	75-87	3.7L	6
	91-03	3.9L X (Pick up, wagon-runner)	6
	90-92	3.9L X	6
<b>RAM SRT10 1500-2500-3500</b>	94-03	8.0L - W PICK UP 2500-3500	10
	04-06	8.3L Z, 1500, 2500, 3500	10
<b>RAM VAN, RAM 1500 SERIE B</b>	70-71	3.2L	6
	74-87	3.7L	6
	72-73	3.7L	6
	92-03	3.9L X	6
<b>RAM VAN, RAM 2500, 3500, RAM WAGON, SERIE B</b>	92-03	5.2L T, Y, 5.9L Z	8
	74-92	5.2L, 5.9L	8
	03-05	5.7L D HEMI (PICK UP)	8
	2003	5.7L HEMI (VAN)	8
	00-12	5.9L Fuel Inj Doble Rodada	8
93-00	5.9L 360cid MPFI	8	
<b>RAMPAGE</b>	1984	2.2L	4
<b>SERIE A (VANS)</b>	67-71	2.8L, 3.3L, 3.7L	6
	67-71	5.2L, 5.9L	8
<b>SERIE B (VANS)</b>	70-78	3.3L, 3.7L	6
	79-87	3.7L	6
	92-99	3.9L	6
	88-91	3.9L	6
	71-91	5.2L, 5.9L	8
	93-00	5.9L	8
<b>SHADOW</b>	91-94	2.2L, 2.5L	4
	87-88	2.2L, 2.5L TURBO	4
	86-90	2.2L, 2.5L (88-90)	4
	93-94	3.0L 3	6
	1990	3.0L	6
<b>SPIRIT</b>	93-94	2.2L, 2.5L TURBO	4
	92-93	2.2L TURBO 16V	4
	91-92	2.2L R/T EXC. 16V	4
	1989	2.2L	4
	91-95	2.5L	4
	89-90	2.5L K, J (TURBO)	4
90-95	3.0L	6	
<b>STEALTH</b>	93-97	3.0L 24V J, TURBO K	6
	91-92	3.0L 24V DOHC(B) Twin Turbo	6
<b>STRATUS</b>	03-04	2.0L DOHC 16 VALV	4
	95-06	2.0L C SOHC	4
	01-06	2.4L X (TURBO) DOHC 16V	4
	01-05	2.4L 2 cables	4
	95-00	2.4L X	4
	95-00	2.5L H	6
	01-06	2.7L (167cid)	6
	01-05	3.0L H R/T	6
<b>SUPER BEE</b>	75-92	5.2L, 5.9L	8
<b>VERNA</b>	04-06	1.5L, 1.6L	4
	04-06	1.6L DOHC 16V	4
<b>VIPER</b>	97-02	8.0L GTS-RT10	10
	92-96	8.0L	10
	04-06	8.3L-Z RT10	10

EPDM	SILICON	ELITE	COP	BUJ	DIST
B5301C6	B6301C6	B1301C6		B1	D1
B5300C6	B6300C6	B1300C6		B3	D1
B5791C6	B6791C6	B1791C6		B75	D47
B5820C6	B6820C6	B1820C6		B15	D3
B59123C10	B69123C10	B19123C10		B90	N/A
	B69395C10	B19395C10		B231, B232	N/A
B5301C6	B6301C6	B1301C6		B1	D1
B5300C6	B6300C6	B1300C6		B3	D1
B5301C6	B6301C6	B1301C6		B1	D1
B5791C6	B6791C6	B1791C6		B75	D47
B5983C8	B6983C8	B1983C8		B92	D47
B5790C8	B6790C8	B1790C8		B3	D1
			B6114C8	B509	N/A
			B6114C8	B509	N/A
B5984C8	B6984C8	B1984C8		B76	D47
B5703C8	B6703C8	B1703C8		B75	D47
B5543C4	B6543C4	B1543C4		B29	D30 D31
B5301C6	B6301C6	B1301C6		B1	D1
B5790C8	B6790C8	B1790C8		B3	D1
B5301C6	B6301C6	B1301C6		B1	D1
B5300C6	B6300C6	B1300C6		B3	D1
B5791C6	B6791C6	B1791C6		B75	D47
B5820C6	B6820C6	B1820C6		B15	D3
B5790C8	B6790C8	B1790C8		B3	D1
B5703C8	B6703C8	B1703C8		B75	D47
B5712C4	B6712C4	B1712C4		B178	D2
B5843C4	B6843C4	B1843C4		B29	D29
B5543C4	B6543C4	B1543C4		B29	D30 D31
B5842C6	B6842C6	B1842C6		B49	D32
B5842C6	B6842C6	B1842C6		B49	D32
B5843C4	B6843C4	B1843C4		B29	D29
B59124C4	B69124C4	B19124C4		B86	N/A
B5712C4	B6712C4	B1712C4		B178	D2
B5543C4	B6543C4	B1543C4		B29	D30 D31
B5712C4	B6712C4	B1712C4		B178	D2
B5543C4	B6543C4	B1543C4		B29	D30 D31
B5842C6	B6842C6	B1842C6		B49	D32
B59269C6	B69269C6	B19269C6		B206	N/A
B59269C6	B69269C6	B19269C6		B206	N/A
B5965C4	B6965C4	B1965C4		B100	N/A
B5334C4	B6334C4	B1334C4		B82	N/A
B5965C4	B6965C4	B1965C4		B100	N/A
	B69372MI4 5mm			B229	N/A
B5333C4	B6333C4	B1333C4		B85	N/A
B5825C6	B6825C6	B1825C6		B57	N/A
			B6107C6	B501	N/A
B5825C6	B6825C6	B1825C6		B57	N/A
B5790C8	B6790C8	B1790C8		B3	D1
B59102HY4	B69102HY4	B19102HY4		B51	N/A
B59304C4	B69304C4	B19304C4		B159	N/A
B59174C10	B69174C10	B19174C10		B90	N/A
B59173C10	B69173C10	B19173C10		B90	N/A
	B69395C10	B19395C10		B231, B232	N/A

\* Este producto se fabrica con forro de PVC

COP: Coil On Plug / Capuchón para Bobina, BUJ: Bujía, DIST: Distribuidor, N/A: No aplica "Las denominaciones y logotipos registrados que se presentan en esta publicación, son propiedad de sus titulares, Cromos SA de CV, no se hace responsable por los cambios de titularidad de los registros de marca a la fecha de la presente publicación, JUNIO 2015"

MODELO / MODEL	AÑO / YEAR	MOTOR / ENGINE	CIL
<b>2000 GTX</b>	91-93	2.0L R, D	4
<b>PREMIER</b>	88-89	2.5L Z(88), H(89) LX	4
<b>SUMMIT</b>	92-96	1.5L A	4
	89-91	1.5L A	4
	89-90	1.6L Y	4
	94-96	1.8L C, 2.4L G (92-96)	4
	92-94	2.4L G, W	4
<b>TALON</b>	1998	2.0L R (TURBO) Tsi	4
	95-98	2.0L F, E TURBO Tsi AWD	4
	95-98	2.0L Y, L TURBO Esi	4
	90-94	2.0L R (TURBO), R, E	4
<b>VISION</b>	93-97	3.3L T, U (FLEX)	6
	93-97	3.5L F, Esi, Tsi	6
<b>VISTA</b>	90-91	1.5L K CARB	4
	89-90	1.5L, 1.6L	4
	89-90	1.5L	4
	92-94	1.8L P	4
	89-91	2.0L V	4
	92-94	2.4L	4



EPDM	SILICON	ELITE	COP	BUJ	DIST
B5781M4	B6781M4	B1781M4		B31	N/A
B5988C4	B6988C4	B1988C4		B90	D47 D50
B59209M4	B69209M4	B19209M4		B45	N/A
B5849C4	B6849C4	B1849C4		B49	D32 D33
B5781M4	B6781M4	B1781M4		B31	N/A
B59120M4	B69120M4	B19120M4		B56	N/A
B5849C4	B6849C4	B1849C4		B49	D32 D33
B5781M4	B6781M4	B1781M4		B31	N/A
B59180M4	B69180M4	B19180M4		B31	N/A
B5333C4	B6333C4	B1333C4		B85	N/A
B5781M4	B6781M4	B1781M4		B31	N/A
B5970C6	B6970C6	B1970C6		B90	N/A
B5743C6	B6743C6	B1743C6		B97	N/A
B5771HY4	B6771HY4			B154	D36
B5824C4	B6824C4	B1824C4		B43	D4
B5849C4	B6849C4	B1849C4		B49	D32 D33
B59120M4	B69120M4	B19120M4		B56	N/A
B5771HY4	B6771HY4			B154	D36
B5849C4	B6849C4	B1849C4		B49	D32 D33

<b>CHEROKEE</b>	91-00	2.5L P (SE)	4
	87-90	2.5L U CARBURADO	4
	84-90	2.5L E,H Fuel Injection	4
	84-87	2.8L	6
	1986	2.8L W (Pioneer, Laredo, Chief)	6
	00-01	4.0L (252cid)	6
	87-99	4.0L (87-90) CherSport (91-99)	6
	87-90	4.0L M, L 6 CIL EN "L"	6
	74-80	4.2L	6
	94-96	5.2L	8
<b>COMANCHE</b>	91-93	2.5L P	4
	87-90	2.5L E, H FUEL INJECTION	4
	86-90	2.5L U CARBURADO	4
	86-87	2.8L	6
	1986	2.8L W (X, XLS, CUSTOM)	6
	87-93	4.0L (Pioneer, Eliminator)	6
	87-90	4.0L M, L 6 CIL EN "L"	6
<b>GRAND CHEROKEE</b>	99-04	4.0L (252cid)	6
	93-98	4.0L S	6
	93-98	5.2L Y	8
	2005	5.7L 2 HEMI	8
	05-07	5.7L HEMI	8
1998	5.9L Z	8	
<b>GRAND WAGONEER</b>	1986	2.5L	4
92-94	5.2L	8	
<b>LIBERTY</b>	02-05	2.4L	4
<b>PICK UP TRUCK</b>	1986	2.5L	4
<b>SCRAMBLER</b>	84-85	2.5L	4
<b>SERIE CJ</b>	65-71	2.2L CJ-5, CJ-6	4
	83-86	2.5L U CJ-7	4
	80-83	2.5L MAQ GM CJ-5, CJ-7	4
	72-80	3.8L, 4.2L CJ-5, C-J6, CJ-7	6
<b>SPORT WAGON</b>	1985	2.5L	4
	1985	2.8L	6
<b>WAGONEER</b>	90-95	2.5L	4
	84-89	2.5L U CARBURADO	4
	80-83	2.5L E, H FUEL INJECTION	4
	84-87	2.8L	6
	84-86	2.8L W (CHEROKEE, LIMITED)	6
	65-73	3.8L, 4.2L	6
	87-90	4.0L	6
	87-90	4.0L M, L, 6 CIL EN "L"	6

B5907C4	B6907C4	B1907C4		B80 B90	D48
B5988C4	B6988C4	B1988C4		B90	D47 D50
B5988C4	B6988C4	B1988C4		B90	D47 D50
B5829G6	B6829G6	B1829G6		B247	D47
B5986C6	B6986C6	B1986C6		B70	D41
			B6105C6	B500	N/A
B5908C6	B6908C6	B1908C6		B87 B90	D47
B5987C6	B6987C6	B1987C6		B79	D49
B5250V6	B6250V6	B1250V6		B3	D1
B5782C8	B6782C8	B1782C8		B93	D48
B5907C4	B6907C4	B1907C4		B80 B90	D48
B5988C4	B6988C4	B1988C4		B90	D47, 50
B5988C4	B6988C4	B1988C4		B90	D47 D50
B5829G6	B6829G6	B1829G6		B247	D47
B5986C6	B6986C6	B1986C6		B70	D41
B5908C6	B6908C6	B1908C6		B87 B90	D47
B5987C6	B6987C6	B1987C6		B79	D49
B5908C6	B6908C6	B1908C6		B87 B90	D47
B5782C8	B6782C8	B1782C8		B93	D48
			B6114C8	B509	N/A
B59236C8	B69236C8	B19236C8		B185	N/A
B5782C8	B6782C8	B1782C8		B93	D48
B5988C4	B6988C4	B1988C4		B90	D47 D50
B5782C8	B6782C8	B1782C8		B93	D48
B59107C4	B69107C4	B19107C4		B98	N/A
B5988C4	B6988C4	B1988C4		B90	D47 D50
B5988C4	B6988C4	B1988C4		B90	D47 D50
B5714F4	B6714F4	B1714F4		B3	D1
B5988C4	B6988C4	B1988C4		B90	D47 D50
B5203G4	B6203G4	B1203G4		B68	D41
B5250V6	B6250V6	B1250V6		B3	D1
B5988C4	B6988C4	B1988C4		B90	D47 D50
B5829G6	B6829G6	B1829G6		B247	D47
B5907C4	B6907C4	B1907C4		B80 B90	D48
B5988C4	B6988C4	B1988C4		B90	D47 D50
B5988C4	B6988C4	B1988C4		B90	D47 D50
B5829G6	B6829G6	B1829G6		B247	D47
B5986C6	B6986C6	B1986C6		B70	D41
B5250V6	B6250V6	B1250V6		B3	D1
B5987C6	B6987C6	B1987C6		B79	D49
B5908C6	B6908C6	B1908C6		B87 B90	D47

\*Importante: La información indicada en esta publicación, ha sido obtenida por fuentes confiables y oficiales, consideramos que es correcta, sin embargo no asumimos ninguna responsabilidad por errores, cambios, omisiones o datos que resulten de estos.



MODELO / MODEL	AÑO / YEAR	MOTOR / ENGINE	CIL
<b>WRANGLER</b>	03-06	2.4L I	4
	91-02	2.5L P (S, SE, Sahara, Islander)	4
	87-90	2.5L EXC MAQ GM	4
	1984	2.5L RENEGADO	4
	07-08	3.8L	6
	00-06	4.0L (252cid)	6
	91-99	4.0L S (Islander, Renegade, Sahara, S, SE)	6
	95-96	5.2L	8

EPDM	SILICON	ELITE	COP	BUJ	DIST
B59107C4	B69107C4	B19107C4		B98	N/A
B5907C4	B6907C4	B1907C4		B80 B90	D48
B5988C4	B6988C4	B1988C4		B90	D47 D50
B5988C4	B6988C4	B1988C4		B90	D47 D50
B5908C6	B6908C6	B1908C6		B87 B90	D47
			B6105C6	B500	N/A
B5908C6	B6908C6	B1908C6		B87 B90	D47
B5782C8	B6782C8	B1782C8		B93	D48


**PLYMOUTH**

<b>ACCLAIM</b>	1992	2.2L 16 VALV	4
	91-94	2.2L EXCEPTO 16 VALV	4
	91-95	2.5L	4
	89-90	2.5L	4
	90-95	3.0L	6
<b>ARROW</b>	80-83	1.6L, 2.0L, 2.6L	4
<b>ARROW PICK UP</b>	80-82	2.0L 121CID, 2.6L 156 cid	4
<b>BARRACUDA</b>	70-72	3.2L	6
	72-74	5.2L (73-74), 5.6L (1972)	8
	67-71	6.3L, 7.2L	8
<b>BREEZE</b>	96-00	2.0L C SOHC	4
	96-00	2.0L DOHC, 2.4L X (98-00)	4
	97-99	2.5L	6
<b>CARAVELLE</b>	85-89	2.2L (85-89), 2.5L (88-89)	4
	1985	2.6L	4
	1981	3.7L	6
	1989	5.2L	8
	1981	5.2L	8
<b>CHALLENGER</b>	78-83	2.6L 2555cc	4
	70-72	3.3L	6
	70-74	5.2L, 5.6L, 5.9L	8
<b>CHAMP</b>	1982	1.4L, 1.6L	4
	79-82	1.4L, 1.6L	4
<b>CONQUEST</b>	88-89	2.6L 2555cc	4
	85-87	2.6L 2555cc TURBO	4
	1984	2.6L 2555cc TURBO	4
<b>DUSTER</b>	93-94	3.0L 3	6
	70-76	3.3L, 3.7L	6
	70-76	5.2L, 5.6L	8
<b>GRAN FURY</b>	1983	3.7L	6
	75-89	5.2L (75-77 y 80-89), 5.9L (80)	8
	78-83	1.7L	4
<b>HORIZON</b>	81-90	2.2L	4
	84-86	2.2L	4
<b>LASER</b>	98-00	1.8L	4
	95-05	2.0L C SOHC	4
<b>NEON</b>	95-99	2.0L Y DOHC	4
	99-02	3.5L (214cid)	6
	97-98	3.5L	6
<b>RELIANT</b>	81-89	2.2L (81-89) y 2.5L (86-89)	4
	81-84	2.6L	4
<b>SUNDANCE</b>	91-94	2.2L Y 2.5L	4
	86-90	2.2L Y 2.5L	4
	93-94	3.0L	6
<b>TRAILDUSTER</b>	79-80	3.7L	6
	74-78	3.7L	6
	74-83	5.2L, 5.9L	8
<b>TURISMO</b>	1983	1.7L	4
	83-87	2.2L	4

B59124C4	B69124C4	B19124C4		B86	N/A
B5712C4	B6712C4	B1712C4		B178	D2
B5712C4	B6712C4	B1712C4		B178	D2
B5543C4	B6543C4	B1543C4		B29	D30 D31
B5842C6	B6842C6	B1842C6		B49	D32
B5857C4	B6857C4	B1857C4		B46	D34
B5857C4	B6857C4	B1857C4		B46	D34
B5301C6	B6301C6	B1301C6		B1	D1
B5790C8	B6790C8	B1790C8		B3	D1
B5752C8	B6752C8	B1752C8		B3	D1
B5334C4	B6334C4	B1334C4		B82	N/A
B5333C4	B6333C4	B1333C4		B85	N/A
B5825C6	B6825C6	B1825C6		B57	N/A
B5543C4	B6543C4	B1543C4		B29	D30 D31
B5857C4	B6857C4	B1857C4		B46	D34
B5300C6	B6300C6	B1300C6		B3	D1
B5790C8	B6790C8	B1790C8		B3	D1
B5790C8	B6790C8	B1790C8		B3	D1
B5857C4	B6857C4	B1857C4		B46	D34
B5301C6	B6301C6	B1301C6		B1	D1
B5790C8	B6790C8	B1790C8		B3	D1
B5857C4	B6857C4	B1857C4		B46	D34
B5755M4	B6755M4	B1755M4		B46	D32
B5857C4	B6857C4	B1857C4		B46	D34
B5849C4	B6849C4	B1849C4		B49	D32 D33
B5857C4	B6857C4	B1857C4		B46	D34
B5842C6	B6842C6	B1842C6		B49	D32
B5301C6	B6301C6	B1301C6		B1	D1
B5790C8	B6790C8	B1790C8		B3	D1
B5300C6	B6300C6	B1300C6		B3	D1
B5790C8	B6790C8	B1790C8		B3	D1
B5543C4	B6543C4	B1543C4		B29	D30 D31
B5543C4	B6543C4	B1543C4		B29	D30 D31
B5543C4	B6543C4	B1543C4		B29	D30 D31
B5333C4	B6333C4	B1333C4		B85	N/A
B5334C4	B6334C4	B1334C4		B82	N/A
B5333C4	B6333C4	B1333C4		B85	N/A
			B6107C6	B501	N/A
B5743C6	B6743C6	B1743C6		B97	N/A
B5543C4	B6543C4	B1543C4		B29	D30 D31
B5857C4	B6857C4	B1857C4		B46	D34
B5712C4	B6712C4	B1712C4		B178	D2
B5543C4	B6543C4	B1543C4		B29	D30 D31
B5842C6	B6842C6	B1842C6		B49	D32
B5300C6	B6300C6	B1300C6		B3	D1
B5301C6	B6301C6	B1301C6		B1	D1
B5790C8	B6790C8	B1790C8		B3	D1
B5543C4	B6543C4	B1543C4		B29	D30 D31
B5543C4	B6543C4	B1543C4		B29	D30 D31

\*Importante: La información indicada en esta publicación, ha sido obtenida por fuentes confiables y oficiales, consideramos que es correcta, sin embargo no asumimos ninguna responsabilidad por errores, cambios, omisiones o daños que resultaron de estos.

\* Este producto se fabrica con forro de PVC

COP: Coil On Plug / Capuchón para Bobina, BUJ: Bujía, DIST: Distribuidor, N/A: No aplica "Las denominaciones y logotipos registrados que se presentan en esta publicación, son propiedad de sus titulares, Cromios SA de CV, no se hace responsable por los cambios de titularidad de los registros de marca a la fecha de la presente publicación, JUNIO 2015"



MODELO / MODEL	AÑO / YEAR	MOTOR / ENGINE	CIL
----------------	------------	----------------	-----

<b>VALIANT</b>	70-73	3.2L (1971), 3.7L (70-73)	6
	74-76	3.7L	6
	72-76	5.2L(72-76), 5.6L(1972), 5.9L(1975)	8
	67-70	6.3L, 7.2L	8
<b>VOLARE</b>	82-91	2.2L Y 2.5L	4
	76-80	3.7L	6
	77-80	5.2L	8
	76-80	5.9L (1976, 79-80)	8

EPDM	SILICON	ELITE	COP	BUJ	DIST
------	---------	-------	-----	-----	------

B5301C6	B6301C6	B1301C6		B1	D1
B5300C6	B6300C6	B1300C6		B3	D1
B5790C8	B6790C8	B1790C8		B3	D1
B5752C8	B6752C8	B1752C8		B3	D1
B5750C4	B6750C4	B1750C4		B29	D29
B5300C6	B6300C6	B1300C6		B3	D1
B5790C8	B6790C8	B1790C8		B3	D1
B5790C8	B6790C8	B1790C8		B3	D1

## CITROËN (EXPORTACIÓN)

<b>AX</b>	93-97	1.0, 1.1, 1.4 TU1M/9M/3M	4
	87-93	1.3 Sport, 1.4 Gti	4
<b>BERLINGO</b>	96-97	1.1i, 1.4i TU1M/3M/3JP	4
	97-12	1.8i (XU7JB)	4
<b>BX</b>	88-93	1.1, 1.4 TU1M, TU3M, TU3A	4
	88-93	1.5, 1.6, 1.9 Gti 4x4	4
	82-94	4 CIL NO CAT	4
<b>C15</b>	87-96	1.1, 1.4 TU1M, TU3M, TU3A	4
<b>C25</b>	85-94	1.8, 2.0 XM7T, XN1T	4
<b>JUMPER</b>	94-AD	2.0i (XU10J2C)	4
<b>JUMPY</b>	93-AD	1.6i (XU5JP)	4
<b>SAXO</b>	96-97	1.0X, 1.1X, SX, 1.4VTS, 1.6VTL/R	4
<b>XANTIA</b>	93-AD	1.6i, 1.8i (XU5JP)	4
<b>XSARA</b>	1997	1.4i, 1.6i (TU3JP, TU5JP)	4
	97-12	1.8i (XU7JP)	4
<b>ZX</b>	91-97	1.1, 1.4 TU1M, TU3M, TU3JP	4
	91-97	1.4i (TU1M, TU3M/Z/JP)	4
	91-96	1.6i, 1.8i	4
	91-92	1.9i	4

B59197PG4	B69197PG4			B149	N/A
B59194PG4	B69194PG4			B104	D52
B59197PG4	B69197PG4			B149	N/A
B5924PG4	B6924PG4	B1924PG4		B148	N/A
B59194PG4	B69194PG4			B104	D52
B59144PG4	B69144PG4			B96 B103	D52
B59191PG4	B69191PG4			B71	D41
B59194PG4	B69194PG4			B104	D52
B59145PG4	B69145PG4			B27	D36
B5924PG4	B6924PG4	B1924PG4		B148	N/A
B5924PG4	B6924PG4	B1924PG4		B148	N/A
B59197PG4	B69197PG4			B149	N/A
B5924PG4	B6924PG4	B1924PG4		B148	N/A
B59197PG4	B69197PG4			B149	N/A
B5924PG4	B6924PG4	B1924PG4		B148	N/A
B59194PG4	B69194PG4			B104	D52
B59197PG4	B69197PG4			B149	N/A
B5924PG4	B6924PG4	B1924PG4		B148	N/A
B5924PG4	B6924PG4	B1924PG4		B148	N/A

## DAIHATSU

<b>CHARADE</b>	88-92	1.0L	3
<b>ROCKY/FEROZA</b>	88-92	1.6L	4

B5803DH4	B6803DH4			B43	D60
B59324DH4	B69324DH4	B19324DH4		B54	D95

## FAW

<b>GF8</b>	07-13	1.0L 970cc	4
<b>GF900</b>	07-13	1.0L 970cc	4

	B69396FW4	B19396FW4		B233	N/A
	B69396FW4	B19396FW4		B233	N/A

## FIAT

<b>124</b>	69-74	4 CIL (Coupe, Spyder, Sport)	4
	68-71	1.4L, 2.0L F.I. SPIDER	4
<b>147</b>	86-94	1.1L, 1.3L	4
<b>ALBEA</b>	08-09	1.8L	4
<b>DOBLO</b>	2002-	1.8L 8v FLEX	4
	82-94	1.8, 2.0 169B, XN1T, 170D/B Exp	4
<b>DUCATO</b>	82-94	1.8, 2.0 PANORAMA Exp	4
	94-AD	2.0i Exportacion	4
<b>FIORINO</b>	97-99	1.5L (120G7RB) Exportacion	4
<b>IDEA ADVENTURE</b>	08-09	1.8L 8V FLEX	4
	97-01	1.3L Weekend (Chile)	4
<b>PALIO</b>	04-07	1.6L DOHC	4
	00-08	1.8L 8 Valvulas	4
	04-08	1.8L 8V Adventure, Strada Weekend	4
<b>PUNTO</b>	2002-	1.8L 8v FLEX	4
<b>SIENNA</b>	2002-	1.8L 8v FLEX	4
<b>STILO</b>	2002-	1.8L 8v FLEX	4
<b>STRADA</b>	07-09	1.8L (Adventure)	4

B5816MZ4	B6816MZ4	B1816MZA		B15	D3
B59265HN4	B69265HN4	B19265HN4		B49	D96
B59227FT4	B69227FT4	B19227FT4		B3	D1
B59357FT4	B69357FT4	B19357FT4		B210	N/A
B59357FT4	B69357FT4	B19357FT4		B116	N/A
B59145PG4	B69145PG4	B19145PG4		B27	D36
B59145PG4	B69145PG4	B19145PG4		B27	D36
B5924PG4	B6924PG4	B1924PG4		B148	N/A
B5918FT4	B6918FT4	B1918FT4		B9	N/A
B59357FT4	B69357FT4	B19357FT4		B210	N/A
B5923FT4	B6923FT4	B1923FT4		B155	N/A
	B69370FT4	B19370FT4		B227	N/A
B59357FT4	B69357FT4	B19357FT4		B210	N/A
B59357FT4	B69357FT4	B19357FT4		B210	N/A
B59357FT4	B69357FT4	B19357FT4		B116	N/A
B59357FT4	B69357FT4	B19357FT4		B116	N/A
B59357FT4	B69357FT4	B19357FT4		B116	N/A
B59357FT4	B69357FT4	B19357FT4		B210	N/A

\*Importante: La información indicada en esta publicación, ha sido obtenida por fuentes confiables y oficiales, consideramos que es correcta, sin embargo no asumimos ninguna responsabilidad por errores, cambios, omisiones o datos que resulten de estos.



MODELO / MODEL

AÑO / YEAR

MOTOR / ENGINE

CIL

EPDM

SILICON

ELITE

COP

BUJ

DIST

# FORD, LINCOLN, MERCURY



## FORD

<b>AEROSTAR</b>	86-87	2.3L	4
	86-90	2.8L	6
	95-97	3.0L U SIN DISTRIBUIDOR	6
	91-95	3.0L U CON DISTRIBUIDOR	6
	86-90	3.0L U	6
	1997	4.0L X	6
90-96	4.0L X	6	
<b>ASPIRE</b>	94-97	1.3L H	4
<b>AUTOS Y CAMIONETAS</b>	82-87	2.8, 3.0, 3.8 Y 4.1L	6
	80-82	3.3L, 4.1, 4.9L Camionetas	6
	89-90	V6 FUEL INJECTION	6
	66-84	260, 289, 302 y 350cid MICROBUS	8
	66-84	260, 289, 302 y 350cid F100, 150, 300 Y F350	8
	66-92	289, 335cc (F600, B600)	8
	65-72	390cc (F600, B600)	8
	64-92	6.4L	8
	80-82	6.6L 9 Cables	8
	84-87	2.3L	4
	89-97	4.9L (300cid)	6
	80-88	4.9L	6
	80-88	4.9L	6
77-84	4.9L (77-80), 5.0L (81-84)	8	
94-96	5.0L N	8	
92-95	5.0L	8	
85-93	5.0L (85-87), 5.0L N (88-93)	8	
79-84	5.0L 302cid	8	
88-96	5.8L H, W	8	
85-87	5.8L	8	
80-81	5.8L, 6.6L	8	
77-88	6.1L, 7.5L Y 8.0L EN "V"	8	
84-86	2.3L	4	
84-90	2.8L (84-90), 2.9L 86-91)	6	
1990	4.0L	6	
89-96	4.9L Y	6	
82-83	3.8L	6	
65-74	3.9L, 4.9L	6	
65-84	4.2L, 4.7L, 5.0L, 5.8L CAP 45°	8	
98-01	5.0L V8 TODOS	8	
85-87	5.0L	8	
69-89	5.7L 351cid V8	8	
99-00	2.0L 3, 2.0L Z	4	
95-99	2.0L 3, 2.0L Z	4	
95-00	2.5L LS, ES CON ARPON	6	
95-00	2.5L G, 6 24 VALV	6	
90-91	5.0L F, CAL EEC-IV	8	
82-83	5.0L, 5.8L	8	
79-80	5.0L 302cid	8	
01-04	1.6L PICK UP	4	
72-82	1.8L, 2.0L	4	
82-90	2.0L, 2.3L Single Plug	4	
78-82	2.3L	4	
77-82	2.3L	4	
98-07	4.6L (281cid) SOHC TRITON	8	
96-98	4.6L 9, W. CNG	8	
92-95	4.6L W	8	
84-91	5.0L F, EEC-IV, 5.8L (84-87)	8	
83-85	5.0L EXCEPTO EEC-IV	8	
79-80	5.0L 302cid	8	
66-84	260, 289, 302 y 350cid	8	
88-91	5.8L G, W, L	8	
1983	5.8L4	8	
80-82	5.8L	8	

B5833F4	B6833F4	B1833F4		B79	D47 D50
B5827F6	B6827F6	B1827F6		B86 B87	D47
B5734F6	B6734F6	B1734F6		B137	D47
B5827F6	B6827F6	B1827F6		B86 B87	D47
B5831F6	B6831F6	B1831F6		B86 B95	D51
B5975F6	B6975F6	B1975F6		B118	N/A
B5836F6	B6836F6	B1836F6		B137	N/A
B5793MZ4	B6793MZ4	B1793MZ4		B43	D57
B5966F6	B6966F6	B1966F6		B68	D41
B5707F6	B6707F6	B1707F6		B79	D2
B5600F6	B6600F6	B1600F6		B86	D47
B5200F8	B6200F8	B1200F8		B15	D21
B5200F8	B6200F8	B1200F8		B15	D21
B5290F8	B6290F8	B1290F8		B15	D21
B5290F8	B6290F8	B1290F8		B15	D21
B5290F8	B6290F8	B1290F8		B15	D21
B5705F8	B6705F8	B1705F8		B79	D2
B5833F4	B6833F4	B1833F4		B79	D47 D50
B5858F6	B6858F6	B1858F6		B84 B86 B95	D47 D50
B5951F6	B6951F6	B1951F6		B79	D47 D50
B5854F6	B6854F6	B1854F6		B86 B95	D47
B5813FG8	B6813FG8	B1813FG8		B79	D47 D50
B5717F8	B6717F8	B1717F8		B86	D47
B5747F8	B6747F8	B1747F8		B83	D47
B5769F8	B6769F8	B1769F8		B86	D47
B5855F8	B6855F8	B1855F8		B83	D50
B5717F8	B6717F8	B1717F8		B86	D47
B5813FG8	B6813FG8	B1813FG8		B79	D47 D50
B5784F8	B6784F8	B1784F8		B68	D23
B59139F8	B69139F8	B19139F8		B86	D50
B5833F4	B6833F4	B1833F4		B79	D47 D50
B5827F6	B6827F6	B1827F6		B86 B87	D47
B5836F6	B6836F6	B1836F6		B137	N/A
B5951F6	B6951F6	B1951F6		B79	D47 D50
B5949F6	B6949F6	B1949F6		B75	D51
B5558F6	B6558F6	B1558F6		B68	D43
B5350F8	B6350F8	B1350F8		B15 B17	D21
B59234F8	B69234F8	B19234F8		B215 B216 B217	N/A
B5809F8	B6809F8	B1809F8		B86	D47
B5749F8	B6749F8	B1749F8		B83	D24
B5913F4	B6913F4	B1913F4		B113	N/A
B5826F4	B6826F4	B1826F4		B138	N/A
B5718F6	B6718F6	B1718F6		B136	N/A
B59106F6	B69106F6	B19106F6		B109	N/A
B5769F8	B6769F8	B1769F8		B86	D47
B5813FG8	B6813FG8	B1813FG8		B79	D47 D50
B5855F8	B6855F8	B1855F8		B83	D50
B5937F4	B6937F4	B1937F4		B213	N/A
B5714F4	B6714F4	B1714F4		B3	D1
B5833F4	B6833F4	B1833F4		B79	D47 D50
B5761F4	B6761F4	B1761F4		B3	D1
B5202F4	B6202F4	B1202F4		B79	D50
			B6100F8	B502	N/A
B5978F8	B6978F8	B1978F8		B143	N/A
B5716F8	B6716F8	B1716F8		B143	N/A
B5769F8	B6769F8	B1769F8		B86	D47
B5813FG8	B6813FG8	B1813FG8		B79	D47 D50
B5855F8	B6855F8	B1855F8		B83	D50
B5200F8	B6200F8	B1200F8		B15	D21
B5813FG8	B6813FG8	B1813FG8		B79	D47 D50
B5813FG8	B6813FG8	B1813FG8		B79	D47 D50
B5290F8	B6290F8	B1290F8		B15	D21

\*Importante: La información indicada en esta publicación, ha sido obtenida por fuentes confiables y oficiales, consideramos que es correcta, sin embargo no asumimos ninguna responsabilidad por errores, cambios, omisiones o daños que resultaran de estos.

\* Este producto se fabrica con forro de PVC

COP: Coil On Plug / Capuchón para Bobina, BUJ: Bujía, DIST: Distribuidor, N/A: No aplica "Las denominaciones y logotipos registrados que se presentan en esta publicación, son propiedad de sus titulares, Cromos SA de CV, no se hace responsable por los cambios de titularidad de los registros de marca a la fecha de la presente publicación, JUNIO 2015"





MODELO / MODEL	AÑO / YEAR	MOTOR / ENGINE	CIL
<b>ECOSPORT</b>	03-12	1.6L	4
	04-07	2.0L	4
<b>ESCAPE</b>	01-05	2.0L	4
	2005	2.3L	4
<b>ESCORT</b>	01-07	3.0L 1 (182cid)	6
	81-85	1.6L 2, 5, 8, 4	4
	80-86	1.6L (ESCORT EXP)	4
	91-96	1.8L 8 ESCORT GT 16V	4
	91-96	1.9L J	4
	95-96	1.9L	4
	85-90	1.9L 9, J	4
	2003	2.0L 3, SOHC 8V SPI	4
<b>EXCURSION</b>	98-02	2.0L 3, DOHC 16V ZX2	4
	97-02	2.0L P, SOHC	4
	00-05	5.4L (330cid) SOHC 16V TRITON	8
	00-05	6.8L (415cid) S SOHC TRITON	8
<b>EXP</b>	83-90	1.6L, 1.9L	4
	97-05	4.6L (281cid) SOHC TRITON	8
<b>EXPEDITION</b>	97-98	4.6L	8
	97-05	5.4L (330cid) SOHC 16V TRITON	8
	02-12	4.0L E, K, SOHC FLEX FUEL	6
<b>EXPLORER</b>	01-12	4.0L E, SOHC 12V SPORTRACK	6
	97-02	4.0L X, OHV, SOHC	6
	91-96	4.0L X, OHV	6
	02-06	4.6L W (281cid) SOHC TRITON	8
	98-01	5.0L P	8
	98-01	5.0L P CON TUBOS	8
	96-01	5.0L P (XLT)	8
<b>FAIRLINE</b>	70-72	5.0L, 5.8L, 7.0L	8
	68-70	5.0L, 5.8L	8
	66-70	6.4L	8
<b>FAIRMONT</b>	78-83	2.3L	4
	80-94	V6 enc conv y enc electronico	6
	78-83	3.3L	6
	1983	3.8L	6
	66-84	260, 289, 302 y 350cid	8
	81-82	4.2L 255cid	8
	78-82	4.2L, 5.0L, 5.8L	8
	1979	5.0L 302cid	8
<b>FALCON</b>	65-72	4.7L, 5.0L, 5.8L, 7.0L	8
<b>FESTIVA</b>	88-93	1.3L H, 1.3L	4
	98-01	1.3L AUUSTERO MPFI	4
<b>FIESTA</b>	97-02	1.3L, 1.4L CON ARPON	4
	98-00	1.4L MPFI DOHC, Equipado	4
	11-13	1.6L 16V ZETEC E DOHC EFI	4
	05-10	1.6L, 2.0L SEDAN	4
	01-04	1.6L	4
	78-80	1.6L	4
<b>FIESTA ST</b>	08-09	2.0L	4
<b>FIVE HUNDRED</b>	05-07	3.0L (182cid) DOHC 24 VALV	6
	06-07	2.0L MEXICO	4
<b>FOCUS</b>	03-07	2.0L USA (03-06), 2.3L (03-07)	4
	02-04	2.0L 5, SVT, ZX3	4
	00-05	2.0L 3, DOHC 16V ZETEC	4
	00-04	2.0L P, SOHC 8V SPI	4
	85-98	6.1L, 7.0L 600/700/800	8
<b>FORD TRUCKS HEAVY DUTY</b>	92-96	7.0L 600/700/800	8
	1992	7.0L 600/700/800	8
<b>FREESTAR</b>	04-07	3.9L 6, 4.2L 2	6
<b>FREESTYLE</b>	05-07	3.0L (182cid)	6
<b>FUSION</b>	2006	2.3L	4
<b>GALAXIE</b>	66-84	260, 290, 302 y 351cid	8
	68-74	302 y 305cid	8
<b>GRANADA</b>	81-82	2.3L	4
	77-82	3.3L, 3.8L (1982), 4.1L	6
	1982	3.8L 232cid	6
	1981	4.2L	8
	80-81	4.2L 255cid	8
	77-80	4.2L, 5.0L, 5.8L	8
	79-80	5.0L 302cid	8

EPDM	SILICON	ELITE	COP	BUJ	DIST
B59354F4	B69354F4	B19354F4		B208	N/A
B59105F4	B69105F4	B19105F4		B114	N/A
B5913F4	B6913F4	B1913F4		B113	N/A
			B6113F4	B510	N/A
			B6106F6	B504	N/A
B5852F4	B6852F4	B1852F4		B83	D47
B5202F4	B6202F4	B1202F4		B79	D50
B5948F4	B6948F4	B1948F4		B54	D26
B5737F4	B6737F4	B1737F4		B134 B135	N/A
B59377F4	B69377F4	B19377F4		B135	N/A
B5852F4	B6852F4	B1852F4		B83	D47
B5912F4	B6912F4	B1912F4		B108	N/A
B5826F4	B6826F4	B1826F4		B138	N/A
B5737F4	B6737F4	B1737F4		B134 B135	N/A
			B6100F8	B502	N/A
			B6100F8	B502	N/A
B5852F4	B6852F4	B1852F4		B83	D47
			B6100F8	B502	N/A
B5978F8	B6978F8	B1978F8		B143	N/A
			B6100F8	B502	N/A
B59132F6	B69132F6	B19132F6		B141	N/A
B59132F6	B69132F6	B19132F6		B141	N/A
B5975F6	B6975F6	B1975F6		B118	N/A
B5836F6	B6836F6	B1836F6		B137	N/A
			B6100F8	B502	N/A
B59171F8	B69171F8	B19171F8		B133	N/A
B59234F8	B69234F8	B19234F8		B215 B216 B217	N/A
B5725F8	B6725F8	B1725F8		B137 B142	N/A
B5200F8	B6200F8	B1200F8		B15	D21
B5290F8	B6290F8	B1290F8		B15	D21
B5200F8	B6200F8	B1200F8		B15	D21
B5202F4	B6202F4	B1202F4		B79	D50
B5700F6	B6700F6	B1700F6		B68	D7 D42
B5201F6	B6201F6	B1201F6		B79	D47 D50
B5844F6	B6844F6	B1844F6		B86	D47 D50
B5200F8	B6200F8	B1200F8		B15	D21
B5855F8	B6855F8	B1855F8		B83	D50
B5813FG8	B6813FG8	B1813FG8		B79	D47 D50
B5855F8	B6855F8	B1855F8		B83	D50
B5200F8	B6200F8	B1200F8		B15	D21
B59172F4	B69172F4	B19172F4		B46	D57
B5990F4	B6990F4	B1990F4		B110	N/A
B5754F4	B6754F4	B1754F4		B133 B137	N/A
B5991F4	B6991F4	B1991F4		B138	N/A
B59369F4	B69369F4	B19369F4		B208	N/A
B59357F4	B69357F4	B19357F4		B210	N/A
B5937F4	B6937F4	B1937F4		B213	N/A
B5202F4	B6202F4	B1202F4		B79	D50
B59105F4	B69105F4	B19105F4		B114	N/A
			B6106F6	B504	N/A
			B6113F4	B510	N/A
			B6113F4	B510	N/A
B5913F4	B6913F4	B1913F4		B113	N/A
B5913F4	B6913F4	B1913F4		B113	N/A
B5912F4	B6912F4	B1912F4		B108	N/A
B5724F8	B6724F8	B1724F8		B86	D50
B5717F8	B6717F8	B1717F8		B86	D47
B5749F8	B6749F8	B1749F8		B83	D24
B59222F6	B69222F6	B19222F6		B119 B120	N/A
			B6106F6	B504	N/A
			B6113F4	B510	N/A
B5200F8	B6200F8	B1200F8		B15	D21
B5290F8	B6290F8	B1290F8		B15	D21
B5202F4	B6202F4	B1202F4		B79	D50
B5201F6	B6201F6	B1201F6		B79	D47 D50
B5844F6	B6844F6	B1844F6		B86	D47 D50
B5813FG8	B6813FG8	B1813FG8		B79	D47 D50
B5855F8	B6855F8	B1855F8		B83	D50
B5706F8	B6706F8	B1706F8		B68	D23 D41
B5855F8	B6855F8	B1855F8		B83	D50

\*Importante: La información indicada en esta publicación, ha sido obtenida por fuentes confiables y oficiales, consideramos que es correcta, sin embargo no asumimos ninguna responsabilidad por errores, cambios, omisiones o datos que resulten de estos.







\*Importante: La información indicada en esta publicación, ha sido obtenida por fuentes confiables y oficiales, consideramos que es correcta, sin embargo no asumimos ninguna responsabilidad por errores, cambios, omisiones o daños que resultaran de estos.

MODELO / MODEL	AÑO / YEAR	MOTOR / ENGINE	CIL
<b>GT</b>	05-06	5.4L (330cid) SUPERCARG 32V	8
<b>IKON</b>	05-07	1.6L ZETEC	4
	01-04	1.6L	4
<b>KA</b>	05-08	1.6L ZETEC	4
	01-04	1.6L	4
<b>LTD</b>	1986	2.3L 140 cid	4
	83-86	2.3L	4
	83-86	2.3L EEC	4
	1983	3.3L	6
	83-86	3.8L EEC-IV, Excep EEC-IV	6
	81-82	4.2L, 5.0L, 5.8L	8
	81-82	4.2L 255cid	8
	66-84	260, 290, 302 y 351cid	8
	84-85	5.0L	8
	79-82	5.0L 302cid	8
	1977	5.0L	8
	68-72	5.0L	8
	77-78	5.8L	8
	<b>LTD II</b>	77-79	5.0L, 5.8L
77-79		5.0L, 5.8L	8
77-79		5.8L, 6.6L	8
<b>MAVERICK</b>	1977	3.3L, 4.1L	6
	1977	5.0L	8
	71-76	5.0L, 5.8L	8
<b>MONDEO</b>	71-74	7.0L	8
	01-06	2.0L CORE	4
<b>MUSTANG</b>	01-06	2.5L TREND-GHIA	6
	1974	2.0L X	4
	91-94	2.3L largo dual plug 4 cil 8 buj	4
	83-90	2.3L EEC, TURBO	4
	77-92	2.3L SINGLE PLUG	4
	75-76	2.3L Y	4
	74-76	2.3L (140cid)	4
	77-79	2.8L	6
	86-90	2.3L 140cid single plug CORTOS	4
	86-90	2.3L 140cid single plug LARGOS	4
	79-82	3.3L	6
	01-04	3.8L 4	6
	01-04	3.8L 4, HASTA 09/05/03	6
	99-00	3.8L 4, 1999 1/4	6
	94-99	3.8L 4, EXCEPTO 99 1/4	6
	84-86	3.8L EEC-IV, Excepto EEC-IV	6
	05-07	4.0L N	6
	81-82	4.2L 255cid	8
	80-82	4.2L	8
	65-84	4.2L, 4.7L, 5.0L, 5.8L CAP 45°	8
	03-04	4.6L Y (281cid) DOHC (COBRA)	8
	03-04	4.6L R (MATCH 1)	8
	00-04	4.6L (281cid) DOHC	8
	99-04	4.6L X (281cid) SOHC TRITON	8
	99-01	4.6L V (281cid) DOHC	8
	96-98	4.6L V, 32VALV DOHC	8
	96-98	4.6L X, 16VALV SOHC	8
	65-73	4.7L, 5.0L, 5.8L, 6.4L, 7.0L	8
	94-95	5.0L D, T COBRA SVT, GT	8
	1985	5.0L EXCEPTO EEC-IV	8
	84-93	5.0L D, E COBRA	8
	78-85	5.0L	8
	77-81	5.0L 302cid	8
	75-76	5.0L	8
2007	5.4L (330cid)	8	
<b>PINTO</b>	72-73	1.6L (72-73), 2.0L (71-74)	4
	77-80	2.3L	4
	74-76	2.3L	4
	1974	2.3L	4
	77-79	2.8L	6
<b>PROBE</b>	89-92	2.2L	4
	90-92	3.0L U	6

EPDM	SILICON	ELITE	COP	BUJ	DIST
			B6101F8	B503	N/A
B59357FT4	B69357FT4	B19357FT4		B210	N/A
B5937F4	B6937F4	B1937F4		B213	N/A
B59357FT4	B69357FT4	B19357FT4		B210	N/A
B5937F4	B6937F4	B1937F4		B213	N/A
B5840F4	B6840F4	B1840F4		B75	D47
B5202F4	B6202F4	B1202F4		B79	D50
B5833F4	B6833F4	B1833F4		B79	D47 D50
B5201F6	B6201F6	B1201F6		B79	D47 D50
B5844F6	B6844F6	B1844F6		B86	D47 D50
B5813FG8	B6813FG8	B1813FG8		B79	D47 D50
B5855F8	B6855F8	B1855F8		B83	D50
B5200F8	B6200F8	B1200F8		B15	D21
B5769F8	B6769F8	B1769F8		B86	D47
B5855F8	B6855F8	B1855F8		B83	D50
B5749F8	B6749F8	B1749F8		B83	D24
B5290F8	B6290F8	B1290F8		B15	D21
B5706F8	B6706F8	B1706F8		B68	D23 D41
B5855F8	B6855F8	B1855F8		B83	D50
B5749F8	B6749F8	B1749F8		B83	D24
B5706F8	B6706F8	B1706F8		B68	D23 D41
B5201F6	B6201F6	B1201F6		B79	D47 D50
B5855F8	B6855F8	B1855F8		B83	D50
B5200F8	B6200F8	B1200F8		B15	D21
B5200F8	B6200F8	B1200F8		B15	D21
B59105F4	B69105F4	B19105F4		B114	N/A
B59106F6	B69106F6	B19106F6		B109	N/A
B5761F4	B6761F4	B1761F4		B3	D1
B5815F8	B6815F8	B1815F8		B139 B140	N/A
B5833F4	B6833F4	B1833F4		B79	D47 D50
B5202F4	B6202F4	B1202F4		B79	D50
B5761F4	B6761F4	B1761F4		B3	D1
B5714F4	B6714F4	B1714F4		B3	D1
B5700F6	B6700F6	B1700F6		B68	D7 D42
B5880F4	B6880F4	B1880F4		B75	D47
B5840F4	B6840F4	B1840F4		B75	D47
B5201F6	B6201F6	B1201F6		B79	D47 D50
B59235F6	B69235F6	B19235F6		B110	N/A
B5992F6	B6992F6	B1992F6		B119	N/A
B59169F6	B69169F6	B19169F6		B137	N/A
B5735F6	B6735F6	B1735F6		B137	N/A
B5844F6	B6844F6	B1844F6		B86	D47 D50
B59132F6	B69132F6	B19132F6		B141	N/A
B5855F8	B6855F8	B1855F8		B83	D50
B5813FG8	B6813FG8	B1813FG8		B79	D47 D50
B5350F8	B6350F8	B1350F8		B15 B17	D21
			B6101F8	B503	N/A
			B6101F8	B503	N/A
			B6101F8	B503	N/A
			B6100F8	B502	N/A
			B6101F8	B503	N/A
B5728F8	B6728F8	B1728F8		B143	N/A
B5978F8	B6978F8	B1978F8		B143	N/A
B5200F8	B6200F8	B1200F8		B15	D21
B5739F8	B6739F8	B1739F8		B86	D51
B5813FG8	B6813FG8	B1813FG8		B79	D47 D50
B5769F8	B6769F8	B1769F8		B86	D47
B5813FG8	B6813FG8	B1813FG8		B79	D47 D50
B5855F8	B6855F8	B1855F8		B83	D50
B5200F8	B6200F8	B1200F8		B15	D21
			B6101F8	B503	N/A
B5714F4	B6714F4	B1714F4		B3	D1
B5202F4	B6202F4	B1202F4		B79	D50
B5714F4	B6714F4	B1714F4		B3	D1
B5761F4	B6761F4	B1761F4		B3	D1
B5700F6	B6700F6	B1700F6		B68	D7 D42
B5758MZ4	B6758MZ4	B1758MZ4		B47	D38
B5831F6	B6831F6	B1831F6		B86 B95	D51

\* Este producto se fabrica con forro de PVC

COP: Coil On Plug / Capuchón para Bobina, BUJ: Bujía, DIST: Distribuidor, N/A: No aplica "Las denominaciones y logotipos registrados que se presentan en esta publicación, son propiedad de sus titulares, Cromios SA de CV, no se hace responsable por los cambios de titularidad de los registros de marca a la fecha de la presente publicación, JUNIO 2015"





MODELO / MODEL	AÑO / YEAR	MOTOR / ENGINE	CIL	
<b>RANCHERO</b>	1979	5.0L 302cid	8	
	78-79	5.0L	8	
	77-78	5.0L, 5.8L	8	
	68-76	5.0L, 5.8L	8	
	77-78	5.8L	8	
<b>RANGER</b>	83-88	2.0L SINGLE PLUG	4	
	01-07	2.3L D, DOHC 16V SINGLE PLUG	4	
	90-97	2.3L A, Dual plug 4cil 8 bujias	4	
	89-95	2.3L A, CABLES CORTOS 8 CABLES	4	
	87-90	2.3L SINGLE PLUG	4	
	84-90	2.3L SINGLE PLUG	4	
	98-00	2.5L C, DUAL PLUG	4	
	83-85	2.8L (83-85), 2.9L T (86-92)	6	
	01-03	3.0L U, V, FLEX FUEL	6	
	98-00	3.0L U, V, FLEX FUEL	6	
	95-97	3.0L U SIN DISTRIBUIDOR	6	
	91-95	3.0L U, CON DISTRIBUIDOR	6	
	91-94	3.0L U	6	
	01-12	4.0L E, X, SOHC 12V	6	
	97-00	4.0L X, SUPER	6	
	90-99	4.0L 244cid (OHV mot VC)	6	
	<b>SERIE C, CT</b>	1992	6.1L 600/900	8
86-91		6.1L, 7.4L 600/800	8	
1992		7.0L 600/900	8	
1992		7.0L 600/900	8	
<b>SERIE E VANS (ECONOLINE, CLUB WAGON)</b>		01-03	4.2L 2	6
	97-06	4.2L 2	6	
	97-00	4.2L 2	6	
	65-84	4.2L, 4.7L, 5.0L, 5.8L CAP 45°	8	
	97-07	4.6L (281cid) SOHC TRITON	8	
	97-07	4.6L W (281cid) SOHC TRITON	8	
	97-98	4.6L	8	
	89-96	4.9L Z, (300)E150/250/350	6	
	84-88	4.9L 300cid	6	
	77-95	4.9L	6	
	77-88	4.9L	6	
	75-76	4.9L	6	
	94-96	5.0L N, E150 CLUB WAGON	8	
	92-94	5.0L FUEL INJ	8	
	84-93	5.0L E150 C.WAG, E250 EEC IV	8	
	83-91	5.0L EXCEPTO EEC-IV	8	
	80-82	5.0L, 5.8L W	8	
	79-84	5.0L 302cid	8	
	97-07	5.4L (330cid) SOHC 16V TRITON	8	
	88-96	5.8L H, E150/250/350	8	
	83-87	5.8L EXCEPTO EEC-IV	8	
	80-82	6.6L (400)	8	
	97-07	6.8L (415cid) S SOHC TRITON	8	
	89-96	7.5L G(460) E250/350/350 HDCV	8	
	78-88	7.5L	8	
	<b>SERIE F PICK UP (LOBO)</b>	91-94	3.8L	6
		91-94	3.8L FUEL INJ. CAP RECTO	6
82-91		3.8L	6	
92-97		4.0L (F400)	6	
05-08		4.2L, F150	6	
01-04		4.2L 2, F150	6	
97-06		4.2L 2, F150/250	6	
97-00		4.2L 2, F150/250	6	
81-82		4.2L 255cid	8	
97-07		4.6L (281cid) SOHC TRITON	8	
1999		4.6L 6	8	
97-98		4.6L 6, W, F150/250	8	
94-98		4.9L L6 F150 (ARPON)	6	
89-96		4.9L Z, (300)E150/250/350	6	
84-88		4.9L 300cid	6	
77-95		4.9L	6	

EPDM	SILICON	ELITE	COP	BUJ	DIST
B5855F8	B6855F8	B1855F8		B83	D50
B5813FG8	B6813FG8	B1813FG8		B79	D47 D50
B5749F8	B6749F8	B1749F8		B83	D24
B5290F8	B6290F8	B1290F8		B15	D21
B5706F8	B6706F8	B1706F8		B68	D23 D41
B5833F4	B6833F4	B1833F4		B79	D47 D50
B59135F4	B69135F4	B19135F4		B208	N/A
B5815F8	B6815F8	B1815F8		B139 B140	N/A
B59378F4	B69378F4	B19378F4		B139 B140	N/A
B5840F4	B6840F4	B1840F4		B75	D47
B5833F4	B6833F4	B1833F4		B79	D47 D50
B5815F8	B6815F8	B1815F8		B139 B140	N/A
B5827F6	B6827F6	B1827F6		B86 B87	D47
B59112F6	B69112F6	B19112F6		B119	N/A
B5974F6	B6974F6	B1974F6		B142	N/A
B5734F6	B6734F6	B1734F6		B137	D47
B5827F6	B6827F6	B1827F6		B86 B87	D47
B5831F6	B6831F6	B1831F6		B86 B95	D51
B59132F6	B69132F6	B19132F6		B141	N/A
B5975F6	B6975F6	B1975F6		B118	N/A
B5836F6	B6836F6	B1836F6		B137	N/A
B5724F8	B6724F8	B1724F8		B86	D50
B5724F8	B6724F8	B1724F8		B86	D50
B5717F8	B6717F8	B1717F8		B86	D47
B5749F8	B6749F8	B1749F8		B83	D24
B5976F6	B6976F6	B1976F6		B119	N/A
B5977F6	B6977F6	B1977F6		B142	N/A
B5950F6	B6950F6	B1950F6		B135	N/A
B5350F8	B6350F8	B1350F8		B15 B17	D21
			B6100F8	B502	N/A
			B6100F8	B502	N/A
B5978F8	B6978F8	B1978F8		B143	N/A
B5858F6	B6858F6	B1858F6		B84 B86 B95	D47 D50
B5854F6	B6854F6	B1854F6		B86 B95	D47
B5951F6	B6951F6	B1951F6		B79	D47 D50
B5858F6	B6858F6	B1858F6		B84 B86 B95	D47 D50
B5250V6	B6250V6	B1250V6		B3	D1
B5717F8	B6717F8	B1717F8		B86	D47
B5747F8	B6747F8	B1747F8		B83	D47
B5769F8	B6769F8	B1769F8		B86	D47
B5813FG8	B6813FG8	B1813FG8		B79	D47 D50
B5813FG8	B6813FG8	B1813FG8		B79	D47 D50
B5855F8	B6855F8	B1855F8		B83	D50
			B6100F8	B502	N/A
B5717F8	B6717F8	B1717F8		B86	D47
B5813FG8	B6813FG8	B1813FG8		B79	D47 D50
B5784F8	B6784F8	B1784F8		B68	D23
			B6100F8	B502	N/A
B5717F8	B6717F8	B1717F8		B86	D47
B5855F8	B6855F8	B1855F8		B83	D50
B5708F6	B6708F6	B1708F6		B86	D47
B5748F6	B6748F6	B1748F6		B75	D51
B5844F6	B6844F6	B1844F6		B86	D47 D50
B5706F8	B6706F8	B1706F8		B68	D23 D41
	B69392F6	B19392F6		B119	N/A
B5976F6	B6976F6	B1976F6		B119	N/A
B5977F6	B6977F6	B1977F6		B142	N/A
B5950F6	B6950F6	B1950F6		B135	N/A
B5855F8	B6855F8	B1855F8		B83	D50
			B6100F8	B502	N/A
B5725F8	B6725F8	B1725F8		B137 B142	N/A
B5978F8	B6978F8	B1978F8		B143	N/A
B5738F6	B6738F6	B1738F6		B137 B212	D47 D50
B5858F6	B6858F6	B1858F6		B84 B86 B95	D47 D50
B5854F6	B6854F6	B1854F6		B86 B95	D47
B5951F6	B6951F6	B1951F6		B79	D47 D50

\*Importante: La información indicada en esta publicación, ha sido obtenida por fuentes confiables y oficiales, consideramos que es correcta, sin embargo no asumimos ninguna responsabilidad por errores, cambios, omisiones o datos que resulten de estos.





\*Importante: La información indicada en esta publicación, ha sido obtenida por fuentes confiables y oficiales, consideramos que es correcta, sin embargo no asumimos ninguna responsabilidad por errores, cambios, omisiones o daños que resultaran de estos.

MODELO / MODEL	AÑO / YEAR	MOTOR / ENGINE	CIL
<b>SERIE F PICK UP (LOBO)</b>	75-76	4.9L	6
	94-96	5.0L N, F150/250	8
	92-98	5.0L	8
	92-94	5.0L FUEL INJ F200, F250	8
	88-93	5.0L N, F150/250 EEC-IV	8
	85-87	5.0L EEC-IV	8
	80-89	5.0L, 5.8L EXCEPTO EEC-IV	8
	80-91	5.0L (80-83 F100, 80-91 F350)	8
	79-84	5.0L 302cid	8
	99-04	5.4L (330cid) SOHC 16V TRITON	8
	99-04	5.4L 3 (TRITON) F150 LIGHTNING	8
	80-85	5.4L (F600)	8
	92-95	5.8L R, LIGHTNING F150	8
	92-95	5.8L R, LIGHTNING F150	8
	88-97	5.8L H, W, F150/250/350	8
	84-85	5.8L W EEC-IV	8
	99-07	6.8L (415cid) SOHC TRITON	8
	89-97	7.5L G, F250/350	8
	89-97	7.5L G, F250/350	8
	77-88	7.5L	8
<b>SERIE FT</b>	90-98	6.1L, 7.0L 800/900	8
	92-96	7.0L 900	8
<b>SERIE L, LN, LT</b>	1992	6.1L 600/900	8
	86-91	6.1L, 7.4L 600/900	8
	91-92	7.0L 800/900	8
<b>SERIE LTS</b>	91-92	7.0L 800/900	8
	91-92	7.0L 800/900	8
<b>TAURUS</b>	86-91	2.5L, D 2 Cables p/bobina	4
	86-91	2.5L D	4
	86-87	2.5L	4
	01-05	3.0L S, 12VALV SOHC	6
	00,04-07	3.0L (182cid) 24 VALV	6
	96-05	3.0L S, U, 2, 1 24Valv DOHC	6
	96-00	3.0L U, 12VALV SOHC	6
	1995	3.0L F. INJ. 12V SOHC (U)	6
	93-02	3.0L 2, 12VALV FLEX FUEL	6
	86-95	3.0L U, FLEX EXCEPT SHO	6
	80-94	V6 enc conv y enc electronico	6
	91-96	3.8L 4DR F.I. CAP RECTO	6
	91-95	3.8L 4	6
	88-96	3.8L 4DR, Y	6
	88-90	3.8L CAP Inclinado 45°	6
	88-90	3.8L MOTOR EN V	6
	90-94	2.3L X, (90-91)	4
	84-91	2.3L L, S 2 Cables p/bobina	4
	92-94	3.0L U	6
	<b>TEMPO</b>	86-88	2.3L 140cid TURBO Cortos
86-88		2.3L 140cid TURBO Largos	4
83-88		2.3L L	4
80-94		V6 enc conv y enc electronico	6
80-82		3.3L	6
94-97		3.8L 4 Calif S/Supercargado	6
93-95		3.8L 4 Exc Calif S/Supercarg	6
91-95		3.8L R C/SUPERCARGADO	6
89-92		3.8L 4, L no Calif S/Supercarg	6
89-92		3.8L 4 no Calif S/S CAP RECTO	6
82-87		3.8L EEC-IV, Excepto EEC-IV	6
80-81		4.2L 455cid	8
94-97		4.6L W	8
91-94		5.0L V8 Fuel Injection	8
91-93		5.0L T	8
84-88		5.0L L	8
78-83		5.0L, 4.2L	8
77-78		5.0L, 5.8L	8
77-79		5.8L, 6.6L	8
65-76		6.4L, 6.6L, 7.0L, 7.5L	8

EPDM	SILICON	ELITE	COP	BUJ	DIST
B5250V6	B6250V6	B1250V6		B3	D1
B5717F8	B6717F8	B1717F8		B86	D47
B5763F8	B6763F8	B1763F8		B86	D25
B5747F8	B6747F8	B1747F8		B83	D47
B5769F8	B6769F8	B1769F8		B86	D47
B5769F8	B6769F8	B1769F8		B86	D47
B5813FG8	B6813FG8	B1813FG8		B79	D47 D50
B5290F8	B6290F8	B1290F8		B15	D21
B5855F8	B6855F8	B1855F8		B83	D50
			B6100F8	B502	N/A
			B6100F8	B502	N/A
B5290F8	B6290F8	B1290F8		B15	D21
B5744F8	B6744F8	B1744F8		B86	D47
B5747F8	B6747F8	B1747F8		B83	D47
B5717F8	B6717F8	B1717F8		B86	D47
B5769F8	B6769F8	B1769F8		B86	D47
			B6100F8	B502	N/A
B5749F8	B6749F8	B1749F8		B83	D24
B5717F8	B6717F8	B1717F8		B86	D47
B5855F8	B6855F8	B1855F8		B83	D50
B5717F8	B6717F8	B1717F8		B86	D47
B5749F8	B6749F8	B1749F8		B83	D24
B5724F8	B6724F8	B1724F8		B86	D50
B5724F8	B6724F8	B1724F8		B86	D50
B5749F8	B6749F8	B1749F8		B83	D24
B5717F8	B6717F8	B1717F8		B86	D47
B5717F8	B6717F8	B1717F8		B86	D47
B5749F8	B6749F8	B1749F8		B83	D24
B5780F4	B6780F4	B1780F4		B65	D8, 41
B5746F4	B6746F4	B1746F4		B75 B83	D51
B5780F4	B6780F4	B1780F4		B65	D8 D41
B59170F6	B69170F6	B19170F6		B110	N/A
			B6106F6	B504	N/A
B5973F6	B6973F6	B1973F6		B136	N/A
B59168F6	B69168F6	B19168F6		B137	N/A
B59272F6	B69272F6	B19272F6		B186	D51
B59168F6	B69168F6	B19168F6		B137	N/A
B5831F6	B6831F6	B1831F6		B86 B95	D51
B5700F6	B6700F6	B1700F6		B68	D7 D42
B5748F6	B6748F6	B1748F6		B75	D51
B59138F6	B69138F6	B19138F6		B86	D47
B5708F6	B6708F6	B1708F6		B86	D47
B5701F6	B6701F6	B1701F6		B67	D42
B5757F6	B6757F6	B1757F6		B86	D47
B5746F4	B6746F4	B1746F4		B75 B83	D51
B5780F4	B6780F4	B1780F4		B65	D8 D41
B5831F6	B6831F6	B1831F6		B86 B95	D51
B5880F4	B6880F4	B1880F4		B75	D47
B5840F4	B6840F4	B1840F4		B75	D47
B5202F4	B6202F4	B1202F4		B79	D50
B5700F6	B6700F6	B1700F6		B68	D7 D42
B5201F6	B6201F6	B1201F6		B79	D47 D50
B5735F6	B6735F6	B1735F6		B137	N/A
B59138F6	B69138F6	B19138F6		B86	D47
B5735F6	B6735F6	B1735F6		B137	N/A
B5708F6	B6708F6	B1708F6		B86	D47
B5748F6	B6748F6	B1748F6		B75	D51
B5844F6	B6844F6	B1844F6		B86	D47 D50
B5855F8	B6855F8	B1855F8		B83	D50
B5727F8	B6727F8	B1727F8		B144	N/A
B5744F8	B6744F8	B1744F8		B86	D47
B5763F8	B6763F8	B1763F8		B86	D25
B5769F8	B6769F8	B1769F8		B86	D47
B5813FG8	B6813FG8	B1813FG8		B79	D47 D50
B5855F8	B6855F8	B1855F8		B83	D50
B5706F8	B6706F8	B1706F8		B68	D23 D41
B5290F8	B6290F8	B1290F8		B15	D21

\* Este producto se fabrica con forro de PVC

COP: Coil On Plug / Capuchón para Bobina, BUJ: Bujía, DIST: Distribuidor, N/A: No aplica "Las denominaciones y logotipos registrados que se presentan en esta publicación, son propiedad de sus titulares, Cromios SA de CV, no se hace responsable por los cambios de titularidad de los registros de marca a la fecha de la presente publicación, JUNIO 2015"





MODELO / MODEL	AÑO / YEAR	MOTOR / ENGINE	CIL
<b>TORINO</b>	75-76	5.8L W, 7.5L	8
	68-76	5.8L M, 6.6L, 7.0L	8
	95-02	3.0L U	6
<b>WINDSTAR</b>	01-03	3.8L 4	6
	94-00	3.8L 4	6



## LINCOLN

MODELO / MODEL	AÑO / YEAR	MOTOR / ENGINE	CIL
<b>AVIATOR</b>	03-05	4.6L H (281cid)	8
<b>BLACKWOOD</b>	2002	5.4L A (330cid) DOHC	8
<b>CONTINENTAL</b>	88-95	3.8L 4	6
	88-95	3.8L 4 FUEL INJ. CAP RECTO	6
	88-90	3.8L 4	6
	1982	3.8L	6
	98-02	4.6L V (281cid)	8
	84-88	5.0L L	8
	80-83	5.0L (80-83), 5.8L W (80-81)	8
	80-81	5.0L 302cid	8
	77-79	6.6L	8
	77-78	7.5L	8
<b>NAVIGATOR</b>	99-04	5.4L A (330cid) DOHC	8
	98-99	5.4L (330cid) 16 VALV. TRITON	8
	97-98	4.6L V (281cid)	8
<b>SERIE MARK</b>	84-92	5.0L M, F, E MARK VII	8
	80-83	5.0L F, 5.8L G MARK VI	8
	80-81	5.0L 302cid MARK VI	8
	77-79	6.6L S MARK V	8
	77-78	7.5L A MARK V	8
<b>TOWN CAR</b>	03-04	4.6L W (281cid)	8
	98-02, 04-07	4.6L W (281cid) TRITON	8
	96-98	4.6L W	8
	91-95	4.6L W	8
	86-91	5.0L	8
<b>VERSAILLES</b>	81-83	5.0L 302cid	8
	79-80	5.0L 302cid	8



## MERCURY

MODELO / MODEL	AÑO / YEAR	MOTOR / ENGINE	CIL
<b>CAPRI</b>	91-94	1.6L Z, 6	4
	77-86	2.3L 140cid	4
	84-86	3.8L EEC-IV, Excepto EEC-IV	6
	82	4.2L 255cid	8
	81-82	4.2L (81-82), 5.0L (82-83)	8
	84-86	5.0L	8
	79-83	5.0L 302cid	8
<b>COLONY PARK</b>	90-91	5.0L F	8
	79-82	5.0L 302cid	8
<b>COUGAR</b>	99-02	2.0L	4
	99-00	2.0L 3	4
	81-88	2.3L 140cid	4
	01-02	2.5L G	6
	99-00	2.5L	6
	80-94	V6 enc conv y enc electronico	6
	80-82	3.3L B	6
	94-98	3.8L	6
	94-95	3.8L 4, XR7	6
	89-95	3.8L FED XR7 FI CAP RECTO	6
	89-95	3.8L FEDERAL XR7	6
	89-91	3.8L C/SUPERCARGADOR XR7	6
	84-88	3.8L EEC-IV, Excepto EEC-IV	6
	80-82	4.2L D	8
	80-81	4.2L 255cid	8
	94-97	4.6L W, XR7	8
	91-94	5.0L V8 Fuel Injection	8
	91-93	5.0L T XR7	8
	84-88	5.0L	8
	80-83	5.0L 302cid	8
77-83	5.0L F	8	



EPDM	SILICON	ELITE	COP	BUJ	DIST
B5290F8	B6290F8	B1290F8		B15	D21
B5290F8	B6290F8	B1290F8		B15	D21
B5974F6	B6974F6	B1974F6		B142	N/A
B5992F6	B6992F6	B1992F6		B119	N/A
B5751F6	B6751F6	B1751F6		B135	N/A

EPDM	SILICON	ELITE	COP	BUJ	DIST
			B6101F8	B503	N/A
			B6101F8	B503	N/A
B5708F6	B6708F6	B1708F6		B86	D47
B5748F6	B6748F6	B1748F6		B75	D51
B5757F6	B6757F6	B1757F6		B86	D47
B5844F6	B6844F6	B1844F6		B86	D47 D50
			B6101F8	B503	N/A
B5769F8	B6769F8	B1769F8		B86	D47
B5813FG8	B6813FG8	B1813FG8		B79	D47 D50
B5855F8	B6855F8	B1855F8		B83	D50
B5706F8	B6706F8	B1706F8		B68	D23 D41
B5855F8	B6855F8	B1855F8		B83	D50
			B6101F8	B503	N/A
			B6100F8	B502	N/A
			B6101F8	B503	N/A
B5769F8	B6769F8	B1769F8		B86	D47
B5813FG8	B6813FG8	B1813FG8		B79	D47 D50
B5855F8	B6855F8	B1855F8		B83	D50
B5706F8	B6706F8	B1706F8		B68	D23 D41
B5855F8	B6855F8	B1855F8		B83	D50
			B6101F8	B503	N/A
			B6100F8	B502	N/A
B5978F8	B6978F8	B1978F8		B143	N/A
B5716F8	B6716F8	B1716F8		B143	N/A
B5769F8	B6769F8	B1769F8		B86	D47
B5855F8	B6855F8	B1855F8		B83	D50
B5855F8	B6855F8	B1855F8		B83	D50

EPDM	SILICON	ELITE	COP	BUJ	DIST
B5948F4	B6948F4	B1948F4		B54	D26
B5840F4	B6840F4	B1840F4		B75	D47
B5844F6	B6844F6	B1844F6		B86	D47 D50
B5855F8	B6855F8	B1855F8		B83	D50
B5813FG8	B6813FG8	B1813FG8		B79	D47 D50
B5769F8	B6769F8	B1769F8		B86	D47
B5855F8	B6855F8	B1855F8		B83	D50
B5813FG8	B6813FG8	B1813FG8		B79	D47 D50
B5855F8	B6855F8	B1855F8		B83	D50
B5913F4	B6913F4	B1913F4		B113	N/A
B5826F4	B6826F4	B1826F4		B138	N/A
B5840F4	B6840F4	B1840F4		B75	D47
B59125F6	B69125F6	B19125F6		B108	N/A
B59106F6	B69106F6	B19106F6		B109	N/A
B5700F6	B6700F6	B1700F6		B68	D7 D42
B5201F6	B6201F6	B1201F6		B79	D47 D50
B5735F6	B6735F6	B1735F6		B137	N/A
B59138F6	B69138F6	B19138F6		B86	D47
B5748F6	B6748F6	B1748F6		B75	D51
B5708F6	B6708F6	B1708F6		B86	D47
B5735F6	B6735F6	B1735F6		B137	N/A
B5844F6	B6844F6	B1844F6		B86	D47 D50
B5813FG8	B6813FG8	B1813FG8		B79	D47 D50
B5855F8	B6855F8	B1855F8		B83	D50
B5727F8	B6727F8	B1727F8		B144	N/A
B5744F8	B6744F8	B1744F8		B86	D47
B5763F8	B6763F8	B1763F8		B86	D25
B5769F8	B6769F8	B1769F8		B86	D47
B5855F8	B6855F8	B1855F8		B83	D50
B5813FG8	B6813FG8	B1813FG8		B79	D47 D50

\*Importante: La información indicada en esta publicación, ha sido obtenida por fuentes confiables y oficiales, consideramos que es correcta, sin embargo no asumimos ninguna responsabilidad por errores, cambios, omisiones o datos que resulten de estos.





\*Importante: La información indicada en esta publicación, ha sido obtenida por fuentes confiables y oficiales, consideramos que es correcta, sin embargo no asumimos ninguna responsabilidad por errores, cambios, omisiones o datos que resultaron de estos.

MODELO / MODEL	AÑO / YEAR	MOTOR / ENGINE	CIL
<b>GRAND MARQUIS</b>	03-07	4.6L (281cid) DOHC	8
	98-07	4.6L W (281cid) TRITON	8
	96-98	4.6L W	8
	92-95	4.6L W	8
	84-91	5.0L F EEC-IV, 5.8L G (84-87)	8
	83-91	5.0L F	8
	1982	5.0L 302cid	8
	66-84	260, 289, 302 y 350cid	8
	83-89	5.8L G	8
<b>LN7</b>	82-83	1.6L	4
<b>LYNX</b>	81-88	1.3L(1981) 1.6L(81-85) 1.9L(85-88)	4
	80-86	1.6L (98cid)	4
<b>MARAUDER</b>	03-04	4.6L (281cid) DOHC	8
<b>MARINER</b>	2006	2.3L	4
	05-07	3.0L (182cid)	6
<b>MARQUIS</b>	83-86	2.3L	4
	84-86	3.8L EEC-IV, Excepto EEC-IV	6
	1982	4.2L 255cid	8
	81-82	4.2L, 5.0L, 5.8L	8
	84-85	5.0L	8
	79-82	5.0L 302cid	8
<b>MONTEGO</b>	05-07	3.0L (182cid) DOHC 24V	6
<b>MONARCH</b>	1980	4.2L 255cid	8
<b>MONTEREY</b>	04-07	4.2L	6
<b>MOUNTAINEER</b>	02-05	4.0L E, K SOHC 12 VALV	6
	97-00	4.0L (OHC) V6	6
	97-00	4.0L (OHC) V6	6
	02-06	4.6L W (281cid) TRITON	8
	98-01	5.0L P CON TUBOS	8
	98-01	5.0L P	8
<b>MYSTIQUE</b>	97-00	5.0L P	8
	99-00	2.0L 3	4
	95-99	2.0L 3 AL 5/03/99	4
	95-00	2.5L 24 VALV	6
	95-00	2.5L LS, ES CON ARPON	6
<b>SABLE</b>	86-91	2.5L 2 Cables p/bobina	4
	86-91	2.5L D	4
	01-05	3.0L U, SOHC 12 VALV	6
	96-05	3.0L S, U DOHC 24V Excep 2000	6
	96-00	3.0L U, SOHC 12 VALV	6
	1995	3.0L F. INJ. 12V SOHC (U)	6
	86-95	3.0L U	6
	94-95	3.8L	6
	88-95	3.8L 4	6
	88-95	3.8L 4 FUEL INJ CAP RECTO	6
	88-94	2.3L X	4
<b>TOPAZ</b>	84-87	2.3L 2 Cables para bobina	4
	93-94	3.0L Fuel Injection V6	6
	91-94	3.0L U	6
	88-90	1.6L, 1.6L Canada (1987)	4
<b>TRACER</b>	91-96	1.8L 8	4
	91-96	1.9L J	4
	97-99	2.0L P	4
<b>VARIOS</b>	79-98	134, 140 cid	4
<b>VILLAGER VAN</b>	93-98	3.0L I, W	6
	99-02	3.3L F.I. 12 VALV SOHC (T)	6
<b>ZEPHYR</b>	78-83	2.3L 140cid	4
	81-82	4.2L 255cid	8
	80-82	4.2L	8
	1979	5.0L 302cid	8
	78-79	5.0L	8

EPDM	SILICON	ELITE	COP	BUJ	DIST
			B6101F8	B503	N/A
			B6100F8	B502	N/A
B5978F8	B6978F8	B1978F8		B143	N/A
B5716F8	B6716F8	B1716F8		B143	N/A
B5769F8	B6769F8	B1769F8		B86	D47
B5813FG8	B6813FG8	B1813FG8		B79	D47 D50
B5855F8	B6855F8	B1855F8		B83	D50
B5200F8	B6200F8	B1200F8		B15	D21
B5813FG8	B6813FG8	B1813FG8		B79	D47 D50
B5852F4	B6852F4	B1852F4		B83	D47
B5852F4	B6852F4	B1852F4		B83	D47
B5202F4	B6202F4	B1202F4		B79	D50
			B6101F8	B503	N/A
			B6113F4	B510	N/A
			B6106F6	B504	N/A
B5840F4	B6840F4	B1840F4		B75	D47
B5844F6	B6844F6	B1844F6		B86	D47 D50
B5855F8	B6855F8	B1855F8		B83	D50
B5813FG8	B6813FG8	B1813FG8		B79	D47 D50
B5769F8	B6769F8	B1769F8		B86	D47
B5855F8	B6855F8	B1855F8		B83	D50
			B6106F6	B504	N/A
B5855F8	B6855F8	B1855F8		B83	D50
B59222F6	B69222F6	B19222F6		B119 B120	N/A
B59132F6	B69132F6	B19132F6		B141	N/A
B5975F6	B6975F6	B1975F6		B118	N/A
B5975F6	B6975F6	B1975F6		B118	N/A
			B6100F8	B502	N/A
B59234F8	B69234F8	B19234F8		B215 B216 B217	N/A
B59171F8	B69171F8	B19171F8		B133	N/A
B5725F8	B6725F8	B1725F8		B137 B142	N/A
B5913F4	B6913F4	B1913F4		B113	N/A
B5826F4	B6826F4	B1826F4		B138	N/A
B59106F6	B69106F6	B19106F6		B109	N/A
B5718F6	B6718F6	B1718F6		B136	N/A
B5780F4	B6780F4	B1780F4		B65	D8 D41
B5746F4	B6746F4	B1746F4		B75 B83	D51
B59170F6	B69170F6	B19170F6		B110	N/A
B5973F6	B6973F6	B1973F6		B136	N/A
B59125F6	B69125F6	B19125F6		B108	N/A
B59272F6	B69272F6	B19272F6		B186	D51
B5831F6	B6831F6	B1831F6		B86 B95	D51
B59138F6	B69138F6	B19138F6		B86	D47
B5708F6	B6708F6	B1708F6		B86	D47
B5748F6	B6748F6	B1748F6		B75	D51
B5746F4	B6746F4	B1746F4		B75 B83	D51
B5780F4	B6780F4	B1780F4		B65	D8 D41
B5601F6	B6601F6	B1601F6		B75 B86	D51
B5831F6	B6831F6	B1831F6		B86 B95	D51
B59172F4	B69172F4	B19172F4		B46	D57
B5948F4	B6948F4	B1948F4		B54	D26
B59377F4	B69377F4	B19377F4		B135	N/A
B5737F4	B6737F4	B1737F4		B134 B135	N/A
B59110F4	B69110F4	B19110F4		B79	D47 D50
B59129F6	B69129F6	B19129F6		B58 B60	D73
B59275F6	B69275F6	B19275F6		B58 B60	N/A
B5840F4	B6840F4	B1840F4		B75	D47
B5855F8	B6855F8	B1855F8		B83	D50
B5813FG8	B6813FG8	B1813FG8		B79	D47 D50
B5855F8	B6855F8	B1855F8		B83	D50
B5813FG8	B6813FG8	B1813FG8		B79	D47 D50

\* Este producto se fabrica con forro de PVC

COP: Coil On Plug / Capuchón para Bobina, BUJ: Bujía, DIST: Distribuidor, N/A: No aplica "Las denominaciones y logotipos registrados que se presentan en esta publicación, son propiedad de sus titulares, Cromios SA de CV, no se hace responsable por los cambios de titularidad de los registros de marca a la fecha de la presente publicación, JUNIO 2015"



# BUICK



MODELO / MODEL

AÑO / YEAR

MOTOR / ENGINE

CIL

EPDM

SILICON

ELITE

COP

BUJ

DIST

## GM, BUICK, CADILLAC, CHEVROLET, DAEWOO, GEO, HUMMER, OLDSMOBILE, OPEL, PONTIAC, SAAB, SATURN



# BUICK

<b>ALLURE</b>	05-08	3.8L 2	6
	93-96	2.2L 4	4
	87-92	2.5L ENC. ELECT.	4
	82-86	2.5L, R	4
	88-93	2.8L	6
	87-90	2.8L S/Cable p/Bobina	6
	1986	2.8L X	6
	82-86	2.8L Transv, X, 3.0L (83-85)	6
	80-82	2.8L	6
	97-05	3.1L J, M, W	6
	94-96	3.1L F.I. (M)	6
	78-79	3.2L L	6
	92-93	3.3L N	6
	87-91	3.3L N	6
	2005	3.8L 2	6
	97-98	3.8L K	6
	86-88	3.8L 3	6
84-85	3.8L 3	6	
78-81	4.4L, 5.0L, 5.0L H	8	
77-78	5.0L	8	
77, 79	5.0L U (1977), 5.7L (1979)	8	
<b>CENTURY</b>			
<b>CENTURY WAGON</b>	87-92	2.5L R	4
<b>ELECTRA SEDAN COUPE</b>	96-99	3.8L I, 3.8L K (1995)	6
	91-95	3.8L I, L MOD ENC DELCO	6
	88-92	3.8L I, C, L Mod Enc Magnavox	6
	86-88	3.8L 3	6
	80-84	4.1L	6
1981	4.4L	8	
<b>LACROSSE</b>	05-09	3.8L 2	6
<b>LESABRE mod Ign DELCO</b>	92-95	3.8L	6
<b>LESABRE mod Magnavox</b>	88-92	3.8L	6
<b>LESABRE SEDAN COUPE</b>	1986	3.0L	6
	2005	3.8L	6
	95-00	3.8L F.I. 24V DOHC HO/L36(K) V6	6
	95-98	3.8L K, L	6
	92-95	3.8L	6
	89-92	3.8L	6
	86-88	3.8L 3	6
	80-85	3.8L (80-85), 4.1L (80-84)	6
	81-82	4.4L	8
	77-79	5.0L G	8
77-78	5.0L	8	
<b>LUCERNE</b>	07-08	3.8L 2	6
2009	3.9L	6	
2005	3.8L 1	6	
<b>PARK AVENUE</b>	2001	3.8L 1	6
95-00	3.8L 1 (96-00), 3.8L K (95-98)	6	
<b>PARK AVENUE DELCO</b>	95-00	3.8L 1 (96-00), 3.8L K (95-98)	6
<b>PARK AVENUE Magnavox</b>	1992	3.8L 1	6
92-95	3.8L I, L	6	
<b>RAINIER</b>	06-07	L6 4.2L FI (S)	6
02-12	5.3L P, M	8	
<b>REATA</b>	1998	3.8L C	6
<b>REATA mod Delco</b>	91-93	3.8L	6

B5993G6	B6993G6	B1993G6		B95	N/A
B5828G4	B6828G4	B1828G4		B75	N/A
B59389G4	B69389G4	B19389G4		B75	N/A
B5203G4	B6203G4	B1203G4		B68	D41
B5741G6	B6741G6	B1741G6		B66	D44
B5834G6	B6834G6	B1834G6		B75	N/A
B5829G6	B6829G6	B1829G6		B247	D47
B5740G6	B6740G6	B1740G6		B65	D44
B59163G6	B69163G6	B19163G6		B95	N/A
B5952G6	B6952G6	B1952G6		B75	N/A
B59270G6	B69270G6	B19270G6		B75	N/A
B5740G6	B6740G6	B1740G6		B65	D44
B5851G6	B6851G6	B1851G6		B95	N/A
B5726G6	B6726G6	B1726G6		B76	N/A
B5993G6	B6993G6	B1993G6		B95	N/A
B5993G6	B6993G6	B1993G6		B95	N/A
B5851G6	B6851G6	B1851G6		B95	N/A
B5740G6	B6740G6	B1740G6		B65	D44
B5837G8	B6837G8	B1837G8		B68	D44
B59388G8	B69388G8	B19388G8		B64	N/A
B5720G8	B6720G8	B1720G8		B64	N/A
B5998G4	B6998G4	B1998G4		B75 B90	N/A
B5994G6	B6994G6	B1994G6		B75	N/A
B5726G6	B6726G6	B1726G6		B76	N/A
B5856G6	B6856G6	B1856G6		B95	N/A
B5851G6	B6851G6	B1851G6		B95	N/A
B59163G6	B69163G6	B19163G6		B95	N/A
B5837G8	B6837G8	B1837G8		B68 B64	D44
B5993G6	B6993G6	B1993G6		B95	N/A
B5726G6	B6726G6	B1726G6		B76	N/A
B5856G6	B6856G6	B1856G6		B95	N/A
B5851G6	B6851G6	B1851G6		B95	N/A
B5993G6	B6993G6	B1993G6		B95	N/A
B59273G6	B69273G6	B19273G6		B95	N/A
B5994G6	B6994G6	B1994G6		B75	N/A
B5726G6	B6726G6	B1726G6		B76	N/A
B5856G6	B6856G6	B1856G6		B95	N/A
B5851G6	B6851G6	B1851G6		B95	N/A
B59163G6	B69163G6	B19163G6		B95	N/A
B5837G8	B6837G8	B1837G8		B68	D44
B5720G8	B6720G8	B1720G8		B64	N/A
B59388G8	B69388G8	B19388G8		B64	N/A
B5993G6	B6993G6	B1993G6		B95	N/A
	B69394G6	B19394G6		B129	N/A
B5993G6	B6993G6	B1993G6		B95	N/A
B5993G6	B6993G6	B1993G6		B95	N/A
B5994G6	B6994G6	B1994G6		B75	N/A
B5994G6	B6994G6	B1994G6		B75	N/A
B5856G6	B6856G6	B1856G6		B95	N/A
B5726G6	B6726G6	B1726G6		B76	N/A
			B6112G4	B511	N/A
B59219G8	B69219G8	B19219G8		B246	N/A
B5856G6	B6856G6	B1856G6		B95	N/A
B5726G6	B6726G6	B1726G6		B76	N/A

\*Importante: La información indicada en esta publicación, ha sido obtenida por fuentes confiables y oficiales, consideramos que es correcta, sin embargo no asumimos ninguna responsabilidad por errores, cambios, omisiones o datos que resulten de estos.





# BUICK



\*Importante: La información indicada en esta publicación, ha sido obtenida por fuentes confiables y oficiales, consideramos que es correcta, sin embargo no asumimos ninguna responsabilidad por errores, cambios, omisiones o daños que resultaran de estos.

MODELO / MODEL	AÑO / YEAR	MOTOR / ENGINE	CIL
<b>REATA mod Magnavox</b>	90-92	3.8L L-C	6
<b>REGAL mod Delco</b>	90-95	3.8L I, L	6
<b>REGAL mod Magnavox</b>	88-92	3.8L L-C	6
<b>REGAL SEDAN / COUPE</b>	88-93	2.8L y 3.1L T	6
	88-93	2.8L y 3.1L S/Cable p/bobina	6
	94-99	3.1L M 2o DIS.	6
	78-79	3.2L	6
	96-04	3.8L 1, 2, K	6
	86-87	3.8L 7	6
	83-85	3.8L A, 9	6
	80-87	3.8L A	6
	82-84	4.1L	6
	78-86	4.4L (81-82), 5.0L H (78-86)	8
	82-87	5.0L Y	8
	1977	5.0L U	8
	82-87	5.7L	8
1979	5.7L	8	
<b>RENDEZVOUZ</b>	02-05	3.4L E	6
	2006	3.5L L	6
<b>RIVIERA</b>	96-99	3.8L I (96-99), 3.8L K (95-97)	6
	91-95	3.8L Supercargado	6
	1988	3.8L L-C	6
	86-87	3.8L 3,L,B	6
	80-85	3.8L (80-85), 4.1L (81-84)	6
77-85	5.0L Y, R	8	
<b>RIVIERA mod Delco</b>	91-95	3.8L I	6
<b>RIVIERA mod Magnavox</b>	89-92	3.8L L-C	6
<b>ROADMASTER</b>	91-92	5.0L E	8
	94-96	5.7L P LIMITED	8
	94-95	5.7L P ESTATE	8
	92-93	5.7L 7 LIMITED	8
<b>SKYHAWK</b>	83-86	1.8L O	4
	1982	1.8L G	4
	87-89	2.0L I	4
	83-88	2.0L, K-M, P	4
	75-80	3.8L A	6
	88-95	2.3L D-3 (140cid)	4
96-98	2.4L T (146cid)	4	
<b>SKYLARK</b>	87-91	2.5L U	4
	84-86	2.5L U	4
	80-83	2.5L	4
	85-86	2.8L X	6
	1985	2.8L	6
	86-88	3.0L	6
	94-98	3.1L M	6
	78-79	3.2L	6
	92-93	3.3L N	6
	89-91	3.3L N	6
	77-79	5.0L	8
	74-79	5.0L G (74-79), 5.7L (77-79)	8
	<b>SOMERSET</b>	85-86	2.5L U
87-89		2.5L U	4
85-88		3.0L	6
1989		3.3L N	6
<b>TERRAZA</b>	05-07	3.5L L, 8, 3.9L 1 (06-07)	6
	06-07	3.9L	6

EPDM	SILICON	ELITE	COP	BUJ	DIST
B5856G6	B6856G6	B1856G6		B95	N/A
B5726G6	B6726G6	B1726G6		B76	N/A
B5856G6	B6856G6	B1856G6		B95	N/A
B5741G6	B6741G6	B1741G6		B66	D44
B5834G6	B6834G6	B1834G6		B75	N/A
B5952G6	B6952G6	B1952G6		B75	N/A
B5740G6	B6740G6	B1740G6		B65	D44
B5993G6	B6993G6	B1993G6		B95	N/A
B5719G6	B6719G6	B1719G6		B68	D44
B5740G6	B6740G6	B1740G6		B65	D44
B59163G6	B69163G6	B19163G6		B95	N/A
B59163G6	B69163G6	B19163G6		B95	N/A
B5837G8	B6837G8	B1837G8		B68 B64	D44
B5837G8	B6837G8	B1837G8		B68 B64	D44
B5720G8	B6720G8	B1720G8		B64	N/A
B59388G8	B69388G8	B19388G8		B64	N/A
B5720G8	B6720G8	B1720G8		B64	N/A
B5952G6	B6952G6	B1952G6		B75	N/A
B59221G6	B69221G6	B19221G6		B129	N/A
B5994G6	B6994G6	B1994G6		B75	N/A
B5726G6	B6726G6	B1726G6		B76	N/A
B5856G6	B6856G6	B1856G6		B95	N/A
B5851G6	B6851G6	B1851G6		B95	N/A
B59163G6	B69163G6	B19163G6		B95	N/A
B5837G8	B6837G8	B1837G8		B68	D44
B5726G6	B6726G6	B1726G6		B76	N/A
B5856G6	B6856G6	B1856G6		B95	N/A
B59189G8	B69189G8	B19189G8		B74 B95	N/A
B5997G8	B6997G8	B1997G8		B123	D53 D77
B5961G8	B6961G8	B1961G8		B123 B127	D54
B59189G8	B69189G8	B19189G8		B74 B95	N/A
B59254G4	B69254G4	B19254G4		B75 B86	D47
B59152G4	B69152G4	B19152G4		B95	D47
B5282G4	B6282G4	B1282G4		B75	N/A
B59152G4	B69152G4	B19152G4		B95	D47
B5740G6	B6740G6	B1740G6		B65	D44
			B6108G4	B506	N/A
			B6108G4	B506	N/A
B5998G4	B6998G4	B1998G4		B75 B90	N/A
B5336G4	B6336G4	B1336G4		B86	D47
B5203G4	B6203G4	B1203G4		B68	D41
B5829G6	B6829G6	B1829G6		B247	D47
B5719G6	B6719G6	B1719G6		B68	D44
B5851G6	B6851G6	B1851G6		B95	N/A
B5952G6	B6952G6	B1952G6		B75	N/A
B5740G6	B6740G6	B1740G6		B65	D44
B5851G6	B6851G6	B1851G6		B95	N/A
B5726G6	B6726G6	B1726G6		B76	N/A
B59388G8	B69388G8	B19388G8		B64	N/A
B5720G8	B6720G8	B1720G8		B64	N/A
B5336G4	B6336G4	B1336G4		B86	D47
B5998G4	B6998G4	B1998G4		B75 B90	N/A
B5851G6	B6851G6	B1851G6		B95	N/A
B5726G6	B6726G6	B1726G6		B76	N/A
B59221G6	B69221G6	B19221G6		B129	N/A
	B69394G6	B19394G6		B129	N/A

\* Este producto se fabrica con forro de PVC

COP: Coil On Plug / Capuchón para Bobina, BUJ: Bujía, DIST: Distribuidor, N/A: No aplica "Las denominaciones y logotipos registrados que se presentan en esta publicación, son propiedad de sus titulares, Cromios SA de CV, no se hace responsable por los cambios de titularidad de los registros de marca a la fecha de la presente publicación, JUNIO 2015"





MODELO / MODEL	AÑO / YEAR	MOTOR / ENGINE	CIL
<b>ALLANTE</b>	87-88	4.1L F.I. (7) V8	8
	89-92	4.5L F.I. (8) V8	8
<b>BROUGHAM</b>	84-86	4.1L F.I. (8) V8	8
	1983	4.1L 4	8
	1989	4.5L F.I. 5 V8	8
	91-92	5.0L E	8
<b>CALAIS</b>	1974	472cid R	8
	75-76	500cid S	8
<b>CATERA</b>	97-98	3.0L R	6
<b>CIMARRON</b>	1982	1.8L G	4
	1987	2.0L I	4
	83-86	2.0L, P	4
	87-88	2.8L W	6
	85-86	2.8L W	6
<b>COMMERCIAL CHASSIS</b>	1987	4.1L F.I. (8) V8	8
	89-92	4.5L F.I. (8) V8	8
	1989	4.5L F.I. 5 V8	8
	1988	4.5L F.I. 5	8
	76-83	368"(9),425"S,T,472"R,500"S, 6.0L	8
<b>CONCOURS</b>	76-86	4.1L, 4.8L (250, 292cid)	6
	95, 98-99	4.6L (9)	8
	96-97	4.6L (9, Y)	8
	1994	4.6L (Y)	8
<b>CTS</b>	04-05	5.7L S, P	8
	06-12	6.0L	8
<b>DEVILLE</b>	1987	4.1L F.I. (8) V8	8
	84-86	4.1L F.I. (8) V8	8
	89-92	4.5L F.I. (8) V8	8
	1989	4.5L F.I. 5 V8	8
	1988	4.5L F.I. 5	8
	98-99	4.6L (Y)	8
	96-97	4.6L (9, Y) D 'Elegance	8
	1994	4.6L (Y)	8
	74-81	368"(6,9),425"S,T,500"S	8
<b>EL DORADO</b>	1987	4.1L F.I. (8) V8	8
	84-86	4.1L F.I. (8) V8	8
	81-82	4.1L 4	6
	89-92	4.5L F.I. (8) V8	8
	1989	4.5L F.I. 5 V8	8
	1988	4.5L F.I. 5	8
	95, 98-99	4.6L (9, Y) Touring, ETS, ESC	8
	1995	4.6L (9, Y) Touring,	6
	74-84	368"(9),425"S,T,472"R,500"S, 6.0L	8
	<b>ESCALADE</b>	99-00	5.7L R
99-00		5.7L R S/Cable p/Bobina	8
<b>ESCALADE BOB</b>	02-06	5.3L T, 6.0L N, U	8
<b>Delphi 19005218</b>	07-12	6.2L 8	8
<b>ESCALADE BOB Mitsubishi 12558693</b>	02-06	5.3L T, 6.0L N, U	8

EPDM	SILICON	ELITE	COP	BUJ	DIST
B59262G8	B69262G8	B19262G8		B75	N/A
B59264G8	B69264G8	B19264G8		B75 B95	N/A
B59263G8	B69263G8	B19263G8		B79	N/A
B59163G6	B69163G6	B19163G6		B95	N/A
B59259G8	B69259G8	B19259G8		B75 B95	N/A
B59189G8	B69189G8	B19189G8		B74 B95	N/A
B59261G8	B69261G8	B19261G8		B79	N/A
B59261G8	B69261G8	B19261G8		B79	N/A
B59137G6	B69137G6	B19137G6		B122	N/A
B59152G4	B69152G4	B19152G4		B95	D47
B5282G4	B6282G4	B1282G4		B75	N/A
B59152G4	B69152G4	B19152G4		B95	D47
B5850G6	B6850G6	B1850G6		B75	N/A
B5829G6	B6829G6	B1829G6		B247	D47
B59262G8	B69262G8	B19262G8		B75	N/A
B59264G8	B69264G8	B19264G8		B75 B95	N/A
B59259G8	B69259G8	B19259G8		B75 B95	N/A
B59262G8	B69262G8	B19262G8		B75	N/A
B59261G8	B69261G8	B19261G8		B79	N/A
B5710G6	B6710G6	B1710G6		B64	D41
B59230G8	B69230G8	B19230G8		B75 B95	N/A
B59229G8	B69229G8	B19229G8		B184	N/A
B59228G8	B69228G8	B19228G8		B184	N/A
B5954G8	B6954G8	B1954G8		B128	N/A
B59219G8	B69219G8	B19219G8		B246	N/A
B59262G8	B69262G8	B19262G8		B75	N/A
B59263G8	B69263G8	B19263G8		B79	N/A
B59264G8	B69264G8	B19264G8		B75 B95	N/A
B59259G8	B69259G8	B19259G8		B75 B95	N/A
B59262G8	B69262G8	B19262G8		B75	N/A
B59230G8	B69230G8	B19230G8		B75 B95	N/A
B59229G8	B69229G8	B19229G8		B184	N/A
B59228G8	B69228G8	B19228G8		B184	N/A
B59261G8	B69261G8	B19261G8		B79	N/A
B59262G8	B69262G8	B19262G8		B75	N/A
B59263G8	B69263G8	B19263G8		B79	N/A
B59163G6	B69163G6	B19163G6		B95	N/A
B59264G8	B69264G8	B19264G8		B75 B95	N/A
B59259G8	B69259G8	B19259G8		B75 B95	N/A
B59262G8	B69262G8	B19262G8		B75	N/A
B59230G8	B69230G8	B19230G8		B75 B95	N/A
B59229G8	B69229G8	B19229G8		B184	N/A
B59261G8	B69261G8	B19261G8		B79	N/A
B5917G8	B6917G8	B1917G8		B123	D84
B5915G8	B6915G8	B1915G8		B123	N/A
B5954G8	B6954G8	B1954G8		B128	N/A
B59219G8	B69219G8	B19219G8		B246	N/A
B5954G8	B6954G8	B1954G8		B128	N/A

\*Importante: La información indicada en esta publicación, ha sido obtenida por fuentes confiables y oficiales, consideramos que es correcta, sin embargo no asumimos ninguna responsabilidad por errores, cambios, omisiones o datos que resulten de estos.





# CADILLAC



# Hy Power

MODELO / MODEL	AÑO / YEAR	MOTOR / ENGINE	CIL
<b>FLEETWOOD</b>	1987	4.1L F.I. (8) V8	8
	84-86	4.1L F.I. (8) V8 BROUGHAM	8
	80-82	4.1L 4	6
	89-92	4.5L F.I. (8) V8	8
	1989	4.5L F.I. 5 V8	8
	1988	4.5L F.I. 5	8
	91-92	5.0L E (91-92), 5.7L 7 (90-93)	8
	94-96	5.7L P	8
77-82	368"(6,9),425"S,I,6.0L	8	
<b>FUNERAL COACH</b>	1987	4.1L F.I. (8) V8	8
	89-92	4.5L F.I. (8) V8	8
	1988	4.5L F.I. 5	8
<b>LIMOUSINE</b>	1987	4.1L F.I. (8) V8	8
	84-86	4.1L F.I. (8) V8 RWD	8
	89-92	4.5L F.I. (8) V8	8
	1989	4.5L F.I. 5 V8	8
	1988	4.5L F.I. 5	8
	74-84	368"(9),425"S,I,472"R,500"S, 6.0L	8
<b>SEVILLE</b>	1987	4.1L F.I. (8) V8	8
	84-86	4.1L F.I. (8) V8	8
	81-82	4.1L 4	6
	89-92	4.5L F.I. (8) V8	8
	1989	4.5L F.I. 5 V8	8
	1988	4.5L F.I. 5	8
	98-99	4.6L FUEL INJ 32V DOHC 9, Y	8
	1997	4.6L (9, Y) STS, SLS	8
	1995	4.6L (9, Y) STS, SLS	8
	1994	4.6L (Y) STS	8
	75,80-81	350" FI (R), 368" FI (9)	8
<b>SIXTY SPECIAL</b>	84-86	4.1L F.I. (8) V8	8
	1987	4.1L F.I. (8) V8	8
	89-92	4.5L F.I. (8) V8	8
	1988	4.5L F.I. 5	8
<b>STS</b>	2005	5.7L S	8

EPDM	SILICON	ELITE	COP	BUJ	DIST
B59262G8	B69262G8	B19262G8		B75	N/A
B59263G8	B69263G8	B19263G8		B79	N/A
B59163G6	B69163G6	B19163G6		B95	N/A
B59264G8	B69264G8	B19264G8		B75 B95	N/A
B59259G8	B69259G8	B19259G8		B75 B95	N/A
B59262G8	B69262G8	B19262G8		B75	N/A
B59189G8	B69189G8	B19189G8		B74 B95	N/A
B5961G8	B6961G8	B1961G8		B123 B127	D54
B59261G8	B69261G8	B19261G8		B79	N/A
B59262G8	B69262G8	B19262G8		B75	N/A
B59264G8	B69264G8	B19264G8		B75 B95	N/A
B59262G8	B69262G8	B19262G8		B75	N/A
B59262G8	B69262G8	B19262G8		B75	N/A
B59263G8	B69263G8	B19263G8		B79	N/A
B59264G8	B69264G8	B19264G8		B75 B95	N/A
B59259G8	B69259G8	B19259G8		B75 B95	N/A
B59262G8	B69262G8	B19262G8		B75	N/A
B59261G8	B69261G8	B19261G8		B79	N/A
B59262G8	B69262G8	B19262G8		B75	N/A
B59263G8	B69263G8	B19263G8		B79	N/A
B59163G6	B69163G6	B19163G6		B95	N/A
B59264G8	B69264G8	B19264G8		B75 B95	N/A
B59259G8	B69259G8	B19259G8		B75 B95	N/A
B59262G8	B69262G8	B19262G8		B75	N/A
B59274G8	B69274G8	B19274G8		B184	N/A
B59229G8	B69229G8	B19229G8		B184	N/A
B59230G8	B69230G8	B19230G8			N/A
B59228G8	B69228G8	B19228G8		B184	N/A
B59261G8	B69261G8	B19261G8		B79	N/A
B59263G8	B69263G8	B19263G8		B79	N/A
B59262G8	B69262G8	B19262G8		B75	N/A
B59264G8	B69264G8	B19264G8		B75 B95	N/A
B59262G8	B69262G8	B19262G8		B75	N/A
B5954G8	B6954G8	B1954G8		B128	N/A



# CHEVROLET

<b>ASTRA</b>	07-09	1.8L OP5967(CHILE) 4 CABLES	4
	00-11	1.8L	4
	04-06	2.0L SOHC	4
	04-06	2.0L, 2.4L	4
	02-06	2.2L F-D 16 VALV ECOTEC	4
	04-06	2.4L	4
<b>ASTRO</b>	88-90	2.5L E	4
	85-87	2.5L E	4
	98-05	4.3L X	6
	96-98	4.3L W	6
	96-97	4.3L W CAP RECTO	6
	86-95	4.3L B, W, Z	6
	85-86	4.3L N	6

B59199G4	B69199G4	B19199G4		B116	N/A
B59357FT4	B69357FT4	B19357FT4		B210	N/A
B59136G4	B69136G4	B19136G4		B122	N/A
B59325G4	B69325G4	B19325G4		B210	N/A
			B6102G4	B505	N/A
B59136G4	B69136G4	B19136G4		B122	N/A
B5830G4	B6830G4	B1830G4		B79	D47
B5203G4	B6203G4	B1203G4		B68	D41
B5971G6	B6971G6	B1971G6		B123 B126	D53, 84
B5941G6	B6941G6	B1941G6		B123 B126	D53, 84
B5916G6	B6916G6	B1916G6		B75	D47
B5968G6	B6968G6	B1968G6		B74 B95	D47
B59257G6	B69257G6	B19257G6		B74 B79 B86	D47

\* Importante: La información indicada en esta publicación, ha sido obtenida por fuentes confiables y oficiales, consideramos que es correcta, sin embargo no asumimos ninguna responsabilidad por errores, cambios, omisiones o daños que resultaron de estos.

\* Este producto se fabrica con forro de PVC

COP: Coil On Plug / Capuchón para Bobina, BUJ: Buja, DIST: Distribuidor, N/A: No aplica \*Las denominaciones y logotipos registrados que se presentan en esta publicación, son propiedad de sus titulares, Cromos SA de CV, no se hace responsable por los cambios de titularidad de los registros de marca a la fecha de la presente publicación, JUNIO 2015"





MODELO / MODEL	AÑO / YEAR	MOTOR / ENGINE	CIL
<b>AUTOS Y CAMIONETAS</b>	80-90	2.0L (80-90), 2.5L (84-90)	4
	78-79	1.8L, 2.0L, 2.3L Y 2.5L	4
	90-96	2.8L, 3.1L, 3.8L, 4.1L Multiport	6
	82-87	2.8L, 3.1L, 3.8L, 4.1L	6
	76-91	6 CIL	6
	65-75	6 CIL	6
	75-91	4.9L	8
	93-95	5.7L TBI FI Microbus Cap 45°	8
	93-95	5.7L TBI Fuel Inj. MICROBUS	8
	87-96	5.7L TBI MICROS Cables largos	8
	87-91	5.7L MICROBUS	8
	86-91	5.7L MICROBUS	8
	75-91	5.7L	8
	75-91	5.7L, 6.6L MICROS	8
	73-86	5.7L LARGO CAP RECTO	8
	73-86	5.7L LARGO CAP CODO	8
	83-95	6.0L, 6.6L, 7.0L Y 7.1L USA	8
89-97	7.4L CAMIONES	8	
<b>AVALANCHE</b>	2004	4.3L X	6
	07-12	5.3L 3, J O	8
	02-06	5.3L FLEX FUEL MITSUBISHI	8
	02-06	5.3L, T, Z FLEX FUEL DELPHI	8
<b>AVEO</b>	02-06	8.1L G	8
	04-14	1.6L	4
<b>BERETTA</b>	87-89	2.0L I	4
	93-96	2.2L 4	4
	1992	2.2L 4	4
	90-91	2.2L G	4
	90-94	2.3L A (140cid)	4
	89-93	2.8L (1989), 3.1L (90-93)	6
	89-93	2.8L(89), 3.1L(90-93) S/ Cable Bob	6
	87-88	2.8L W	6
	94-96	3.1L M	6
	90-93	3.1L T	6
<b>BLAZER</b>	74-87	5.0L	8
	1994	5.7L K	8
	88-93	5.7L K	8
	81-86	5.7L L, M	8
	76-80	5.7L P, M	8
	77-78	7.4L	8
<b>BLAZER S10/T10</b>	82-85	1.9L A ENC. CONV.	4
	83-84	2.0L Y	4
	98-03	2.2L 4, 5	4
	96-97	2.2L	4
	94-95	2.2L	4
	94-95	2.2L	4
	94-95	2.2L (4 CABLES)	4
	07-10	2.4L 8 VALV FLEX POWER	4
	88-93	2.5L E	4
	85-87	2.5L E	4
	85-98	2.8L (85-93, 1998)	6
	85-90	2.8L	6
	82-84	2.8L B	6
	78-82	4.1L, 4.8L	6
	75-78	4.1L, 4.8L	6
	69-74	4.1L, 4.8L	6
	98-05	4.3L X, W	6
	96-97	4.3L W CAP RECTO	6
	95-97	4.3L W C/TAPA DIST HOR	6
	91-93	4.3L	6
88-95	4.3L W C/TAPA DIST VERT	6	
<b>BLAZER SERIE B6, 7-C 5, 6-S 7-P6</b>	91-98	6.0L, 6.6L, 7.0L Topkick, Kodiak	8
	75-90	5.7L	8

EPDM	SILICON	ELITE	COP	BUJ	DIST
B59108G4	B69108G4	B19108G4		B87	N/A
B5955G4	B6955G4	B1955G4		B65	D41
B5967G6	B6967G6	B1967G6		B68	N/A
B59109G6	B69109G6	B19109G6		B68	D41
B5710G6	B6710G6	B1710G6		B64	D41
B5270G6	B6270G6	B1270G6		B3	D1
B5720G8	B6720G8	B1720G8		B64	N/A
B59151G8	B69151G8	B19151G8		B69	D41
B5756G8	B6756G8	B1756G8		B64	D41
B5544G8	B6544G8	B1544G8		B63	D41
B5730G8	B6730G8	B1730G8		B64	N/A
B5534G8	B6534G8	B1534G8		B64	N/A
B5999G8	B6999G8	B1999G8		B68	N/A
B5720G8	B6720G8	B1720G8		B64	N/A
B5280G8	B6280G8	B1280G8		B3	D1
B5281G8	B6281G8	B1281G8		B4	D1
B5810G8	B6810G8	B1810G8		B75	D47
B5989G8	B6989G8	B1989G8		B74	D47
B5941G6	B6941G6	B1941G6		B123 B126	D53 D84
B59219G8	B69219G8	B19219G8		B246	N/A
B5954G8	B6954G8	B1954G8		B128	N/A
B5954G8	B6954G8	B1954G8		B128	N/A
B5954G8	B6954G8	B1954G8		B128	N/A
B59167G4	B69167G4	B19167G4		B132	N/A
B5282G4	B6282G4	B1282G4		B75	N/A
B5828G4	B6828G4	B1828G4		B75	N/A
B59165G4	B69165G4	B19165G4		B95 B126	N/A
B5282G4	B6282G4	B1282G4		B75	N/A
B5741G6	B6741G6	B1741G6	B6108G4	B506	N/A
B5741G6	B6741G6	B1741G6		B66	D44
B5834G6	B6834G6	B1834G6		B75	N/A
B5850G6	B6850G6	B1850G6		B75	N/A
B5952G6	B6952G6	B1952G6		B75	N/A
B5834G6	B6834G6	B1834G6		B75	N/A
B59388G8	B69388G8	B19388G8		B64	N/A
B5731G8	B6731G8	B1731G8		B63	D41
B5544G8	B6544G8	B1544G8		B63	D41
B5837G8	B6837G8	B1837G8		B68	D44
B5544G8	B6544G8	B1544G8		B63	D41
B5956G8	B6956G8	B1956G8		B75	N/A
B5713G4	B6713G4	B1713G4		B15	D28
B59152G4	B69152G4	B19152G4		B95	D47
B59159G4	B69159G4	B19159G4		B75	N/A
B5828G4	B6828G4	B1828G4		B75	N/A
B5742G4	B6742G4	B1742G4		B75	D47
B5914G4	B6914G4	B1914G4		B65	D41
B5709G4	B6709G4	B1709G4		B75	N/A
B59357FT4	B69357FT4	B19357FT4		B210	N/A
B5830G4	B6830G4	B1830G4		B79	D47
B5336G4	B6336G4	B1336G4		B86	D47
B5719G6	B6719G6	B1719G6		B68	D44
B5715G6	B6715G6	B1715G6		B68	D47
B5740G6	B6740G6	B1740G6		B65	D44
B59164G6	B69164G6	B19164G6		B74 B95	N/A
B5710G6	B6710G6	B1710G6		B64	D41
B5270G6	B6270G6	B1270G6		B3	D1
B5971G6	B6971G6	B1971G6		B123 B126	D53 D84
B5916G6	B6916G6	B1916G6		B75	D47
B5941G6	B6941G6	B1941G6		B123 B126	D53 D84
B5283G6	B6283G6	B1283G6		B74 B75	D41
B5968G6	B6968G6	B1968G6		B74 B95	D47
B5957G8	B6957G8	B1957G8		B75	D47
B5835G8	B6835G8	B1835G8		B74	D47

\*Importante: La información indicada en esta publicación, ha sido obtenida por fuentes confiables y oficiales, consideramos que es correcta, sin embargo no asumimos ninguna responsabilidad por errores, cambios, omisiones o datos que resulten de estos.



\*Importante: La información indicada en esta publicación, ha sido obtenida por fuentes confiables y oficiales, consideramos que es correcta, sin embargo no asumimos ninguna responsabilidad por errores, cambios, omisiones o daños que resultaran de estos.

MODELO / MODEL	AÑO / YEAR	MOTOR / ENGINE	CIL
<b>C/K PICK UP SERIES</b>	65-68	3.2L, 3.8L	6
	92-98	4.1L PICK UP 1500	6
	91-96	4.1L PICK UP C15 CUSTOM	6
	79-86	4.1L, 4.8L	6
	75-77	4.1L, 4.8L HEI	6
	65-74	4.1L	6
	96-07	4.3L W, PICK UP 1500	6
	1998	4.3L W	6
	96-97	4.3L W CAP RECTO	6
	88-95	4.3L Z	6
	85-86	4.3L Z	6
	78-88	4.8L	6
	75-77	4.8L	6
	65-74	4.8L	6
<b>C/K PICK UP SERIES 1500, 2500, 3500 CHEYENNE 400SS HEAVY DUTY CHASSIS</b>	99-07	4.8L V	8
	99-07	4.8L V, BOB 19005217	8
	96-00	5.0L M, 5.7L R	8
	96-00	5.0L M, 5.7L R S/Cable p/Bob	8
	94-95	5.0L H, 5.7L K, 2500	8
	81-86	5.0L F, H	8
	76-93	5.0L, 5.7L	8
	76-79	5.0L U	8
	99-07	5.3L T, B	8
	99-07	5.3L T, Z, BOB 19005218	8
	02-06	5.7L (C3500, C36)	8
	96-00	5.7L R	8
	96-00	5.7L R S/Cable p/Bobina	8
	86-91	5.7L Cheyenne C20, Custom Hunter	8
	81-86	5.7L L	8
	75-79	5.7L Y, L (75-79), M (1982)	8
	1975	5.7L L	8
	99-07	6.0L N, U	8
	99-07	6.0L U, BOB 19005218	8
	1980	6.6L	8
	76-79	6.6L U, R	8
	00-01	7.4L CHASIS CABINA KODIAK, HEAVY DUTY, VORTEC	8
	96-00	7.4L J	8
	96-00	7.4L J KODIAK	8
94-95	7.4L N FI 2-4WD PICK UP	8	
88-93	7.4L N	8	
77-87	7.4L W, 7.4L (85-86)	8	
01-06	8.1L G 2500 HD-3500	8	
01-02	8.1L G	8	
<b>CABALLERO</b>	78-84	200"(78-79), 229"(80-81), 3.8L(82-84)	6
	85-86	4.3L Z	6
	1987	5.0L H	8
<b>CAMARO</b>	84-86	2.5L (82-83), 2.5L 2 (84-86)	4
	85-89	2.8L S	6
	82-84	2.8L	6
	95-99	3.0L	6
	85-92	3.1L T, S	6
	93-95	3.4L S	6
	80-84	3.8L A	6
	80-84	V6 229cid K	6
	82-84	3.8L (9, K)	6
	67-74	3.8L, 4.1L	6
	78-79	4.1L D	6
	75-77	4.1L D	6
	1980	4.4L	8
	89-92	5.0L E, F	8
	85-86	5.0L F	8
	82-86	5.0L G, H, 7, S	8
	76-80	5.0L	8
	98-02	5.7L G Z28	8
	93-97	5.7L P	8

EPDM	SILICON	ELITE	COP	BUJ	DIST
B5270G6	B6270G6	B1270G6		B3	D1
B5545G6	B6545G6	B1545G6		B74	N/A
	B69399G6	B19399G6		B74	N/A
B59164G6	B69164G6	B19164G6		B74 B95	N/A
B5710G6	B6710G6	B1710G6		B64	D41
B5270G6	B6270G6	B1270G6		B3	D1
B5941G6	B6941G6	B1941G6		B123 B126	D53 D84
B5971G6	B6971G6	B1971G6		B123 B126	D53 D84
B59166G6	B69166G6	B19166G6		B75	D47
B5968G6	B6968G6	B1968G6		B74 B95	D47
B59257G6	B69257G6	B19257G6		B74 B79 B86	D47
B59164G6	B69164G6	B19164G6		B74 B95	N/A
B5710G6	B6710G6	B1710G6		B64	D41
B5270G6	B6270G6	B1270G6		B3	D1
B5954G8	B6954G8	B1954G8		B128	N/A
B5954G8	B6954G8	B1954G8		B128	N/A
B5917G8	B6917G8	B1917G8		B123	D84
B5915G8	B6915G8	B1915G8		B123	N/A
B5731G8	B6731G8	B1731G8		B63	D41
B5837G8	B6837G8	B1837G8		B68	D44
B5544G8	B6544G8	B1544G8		B63	D41
B5720G8	B6720G8	B1720G8		B64	N/A
B5954G8	B6954G8	B1954G8		B128	N/A
B5954G8	B6954G8	B1954G8		B128	N/A
	B69391G8	B19391G8		B123	D84
B5917G8	B6917G8	B1917G8		B123	D84
B5915G8	B6915G8	B1915G8		B123	N/A
B5534G8	B6534G8	B1534G8		B64	N/A
B5837G8	B6837G8	B1837G8		B68	D44
B5720G8	B6720G8	B1720G8		B64	N/A
B5835G8	B6835G8	B1835G8		B74	D47
B5954G8	B6954G8	B1954G8		B128	N/A
B5954G8	B6954G8	B1954G8		B128	N/A
B5544G8	B6544G8	B1544G8		B63	D41
B5720G8	B6720G8	B1720G8		B64	N/A
B59383G8	B69383G8	B19383G8		B126	D76
B5928G8	B6928G8	B1928G8		B126	D76
B5953G8	B6953G8	B1953G8		B126	D76
B59260G8	B69260G8	B19260G8		B95	D47
B5835G8	B6835G8	B1835G8		B74	D47
B5956G8	B6956G8	B1956G8		B75	N/A
B5954G8	B6954G8	B1954G8		B128	N/A
B5954G8	B6954G8	B1954G8		B128	N/A
B59255G6	B69255G6	B19255G6		B74 B79	N/A
B59256G6	B69256G6	B19256G6		B74 B79	D47
B59258G8	B69258G8	B19258G8		B74 B95	D47
B5203G4	B6203G4	B1203G4		B68	D41
B5719G6	B6719G6	B1719G6		B68	D44
B5740G6	B6740G6	B1740G6		B65	D44
B59303G6	B69303G6	B19303G6		B74	N/A
B5829G6	B6829G6	B1829G6		B247	D47
B5846G6	B6846G6	B1846G6		B95	N/A
B59163G6	B69163G6	B19163G6		B95	N/A
B59255G6	B69255G6	B19255G6		B74 B79	N/A
B59255G6	B69255G6	B19255G6		B74 B79	N/A
B5270G6	B6270G6	B1270G6		B3	D1
B59164G6	B69164G6	B19164G6		B74 B95	N/A
B5710G6	B6710G6	B1710G6		B64	D41
B5720G8	B6720G8	B1720G8		B64	N/A
B59189G8	B69189G8	B19189G8		B74 B95	N/A
B5835G8	B6835G8	B1835G8		B74	D47
B5837G8	B6837G8	B1837G8		B68	D44
B5720G8	B6720G8	B1720G8		B64	N/A
B5954G8	B6954G8	B1954G8		B128	N/A
B5997G8	B6997G8	B1997G8		B123	D53 D77

\* Este producto se fabrica con forro de PVC

COP: Coil On Plug / Capuchón para Bobina, BUJ: Bujía, DIST: Distribuidor, N/A: No aplica "Las denominaciones y logotipos registrados que se presentan en esta publicación, son propiedad de sus titulares, Cromios SA de CV, no se hace responsable por los cambios de titularidad de los registros de marca a la fecha de la presente publicación, JUNIO 2015"



MODELO / MODEL	AÑO / YEAR	MOTOR / ENGINE	CIL
<b>CAMARO</b>	89-92	5.7L 8	8
	1987	5.7L 8	8
	76-81	5.7L	8
<b>CANYON</b>	07-10	2.9L 9, 3.7L E	6
<b>CAPRICE</b>	80-84	3.8L A	6
	80-84	V6 229cid K	6
	82-84	3.8L (9, K)	6
	65-69	3.8L, 4.1L	6
	78-79	4.1L D	6
	1977	4.1L D	6
	94-95	4.3L V8 LS, CLASSIC	8
	92-93	4.3L Z	6
	85-86	4.3L Z	6
	80-82	4.4L J	8
	89-93	5.0L E, H	8
	87-88	5.0L (H, G)	8
	80-86	5.0L H	8
	77-79	5.0L U, G	8
	74-87	5.0L	8
	75-81	307, 327 y 350cid CAP RECTO	8
	75-81	307, 327 y 350cid CAP CODO	8
	94-96	5.7L P	8
	89-93	5.7L 7	8
	87-88	5.7L (6) POLICE	8
	80-86	5.7L 6	8
	74-79	5.7L L, (1974 W/HEI)	8
	75-76	6.6L	8
<b>CAVALIER</b>	1982	1.8L G	4
	87-89	2.0L I	4
	83-86	2.0L B, P	4
	02-06	2.2L F-D 16 VALV ECOTEC	4
	98-02	2.2L 4	4
	95-97	2.2L 4	4
	95-97	2.2L 4	4
	95-97	2.2L (4 CABLES)	4
	93-97	2.2L 4	4
	1992	2.2L 4	4
	90-91	2.2L G	4
	95-02	2.4L T (146cid)	4
	1989	2.8L W	6
	1989	2.8L W S/Cable p/Bobina	6
	87-88	2.8L W	6
	85-86	2.8L W	6
	90-94	3.1L 4 Cables	6
	90-94	3.1L T	6
	90-94	3.1L T S/Cable p/Bobina	6
	<b>CELEBRITY</b>	87-90	2.5L R
82-86		2.5L R, 5 (82-83)	4
87-89		2.8L W	6
87-89		2.8L W S/Cable p/Bobina	6
85-86		2.8L W, X	6
83-84		2.8L	6
1982		2.8L X	6
1990		3.1L T	6
1990		3.1L T S/Cable p/Bobina	6
<b>CELTA / PRISMA</b>		00-12	1.0L, 1.4L MPFI VHC Econoflex
	65-74	3.2L, 3.8L, 4.1L	6
	75-77	4.1L D	6
<b>CHEVELLE</b>	76-77	5.0L, 5.7L L	8
	75-81	307, 327 y 350cid CAP RECTO	8
	75-81	307, 327, 350cc CAP CODO	8
	73-76	5.7L	8
	76-81	1.6L A/C	4
<b>CHEVETTE</b>	76-81	4 CIL ENC CONV (CHILE)	4
<b>CHEVY (VAGONETA, MONZA, POP, JOY, SWING)</b>	95-03	1.4L, 1.6L	4

EPDM	SILICON	ELITE	COP	BUJ	DIST
B59189G8	B69189G8	B19189G8		B74 B95	N/A
B59231G8	B69231G8	B19231G8		B74 B79	N/A
B5720G8	B6720G8	B1720G8		B64	N/A
			B6112G4	B511	N/A
B59163G6	B69163G6	B19163G6		B95	N/A
B59255G6	B69255G6	B19255G6		B74 B79	N/A
B59255G6	B69255G6	B19255G6		B74 B79	N/A
B5270G6	B6270G6	B1270G6		B3	D1
B59164G6	B69164G6	B19164G6		B74 B95	N/A
B5710G6	B6710G6	B1710G6		B64	D41
B5961G8	B6961G8	B1961G8		B123 B127	D54
B59166G6	B69166G6	B19166G6		B75	D47
B59256G6	B69256G6	B19256G6		B74 B79	D47
B5837G8	B6837G8	B1837G8		B68	D44
B59189G8	B69189G8	B19189G8		B74 B95	N/A
B59258G8	B69258G8	B19258G8		B74 B95	D47
B5837G8	B6837G8	B1837G8		B68	D44
B5720G8	B6720G8	B1720G8		B64	N/A
B59388G8	B69388G8	B19388G8		B64	N/A
B5280G8	B6280G8	B1280G8		B3	D1
B5281G8	B6281G8	B1281G8		B4	D1
B5997G8	B6997G8	B1997G8		B123	D53 D77
B59189G8	B69189G8	B19189G8		B74 B95	N/A
B59258G8	B69258G8	B19258G8		B74 B95	D47
B5837G8	B6837G8	B1837G8		B68	D44
B5720G8	B6720G8	B1720G8		B64	N/A
B5720G8	B6720G8	B1720G8		B64	N/A
B59152G4	B69152G4	B19152G4		B95	D47
B5282G4	B6282G4	B1282G4		B75	N/A
B59152G4	B69152G4	B19152G4		B95	D47
			B6102G4	B505	N/A
B5929G4	B6929G4	B1929G4		B75	N/A
B5742G4	B6742G4	B1742G4		B75	D47
B5914G4	B6914G4	B1914G4		B65	D41
B5709G4	B6709G4	B1709G4		B75	N/A
B5828G4	B6828G4	B1828G4		B75	N/A
B59165G4	B69165G4	B19165G4		B95 B126	N/A
B5282G4	B6282G4	B1282G4		B75	N/A
			B6108G4	B506	N/A
B5741G6	B6741G6	B1741G6		B66	D44
B5834G6	B6834G6	B1834G6		B75	N/A
B5850G6	B6850G6	B1850G6		B75	N/A
B5719G6	B6719G6	B1719G6		B68	D44
B5345G6	B6345G6	B1345G6		B75	N/A
B5741G6	B6741G6	B1741G6		B66	D44
B5834G6	B6834G6	B1834G6		B75	N/A
B5998G4	B6998G4	B1998G4		B75 B90	N/A
B5203G4	B6203G4	B1203G4		B68	D41
B5741G6	B6741G6	B1741G6		B66	D44
B5834G6	B6834G6	B1834G6		B75	N/A
B5719G6	B6719G6	B1719G6		B68	D44
B5740G6	B6740G6	B1740G6		B65	D44
B59163G6	B69163G6	B19163G6		B95	N/A
B5741G6	B6741G6	B1741G6		B66	D44
B5834G6	B6834G6	B1834G6		B75	N/A
B59357FT4	B69357FT4	B19357FT4		B116	N/A
B5270G6	B6270G6	B1270G6		B3	D1
B5710G6	B6710G6	B1710G6		B64	D41
B5720G8	B6720G8	B1720G8		B64	N/A
B5280G8	B6280G8	B1280G8		B3	D1
B5281G8	B6281G8	B1281G8		B4	D1
B5730G8	B6730G8	B1730G8		B64	N/A
B5203G4	B6203G4	B1203G4		B68	D41
B5777G4	B6777G4			B3	D1
B5729G4	B6729G4	B1729G4		B210	N/A

\*Importante: La información indicada en esta publicación, ha sido obtenida por fuentes confiables y oficiales, consideramos que es correcta, sin embargo no asumimos ninguna responsabilidad por errores, cambios, omisiones o datos que resulten de estos.



\*Importante: La información indicada en esta publicación, ha sido obtenida por fuentes confiables y oficiales, consideramos que es correcta, sin embargo no asumimos ninguna responsabilidad por errores, cambios, omisiones o daños que resultaran de estos.

MODELO / MODEL	AÑO / YEAR	MOTOR / ENGINE	CIL	
<b>CHEVY C2</b>	04-12	1.6L	4	
<b>CHEVY NOVA</b>	65-74	3.2L, 3.8L, 4.1L	6	
	76-86	4.1L, 4.8L	6	
<b>CHEVY PICK UP</b>	99-03	1.6L	4	
<b>CITATION</b>	80-85	2.5L Incluye Can, Usa, 5, R	4	
	1985	2.8L W	6	
	1985	2.8L X	6	
	83-84	2.8L X, Z	6	
	80-82	2.8L 7, X, Z	6	
<b>COBALT</b>	02-06	2.2L F-D 16 VALV ECOTEC	4	
<b>COLORADO</b>	07-10	2.9L 9, 3.7L E	4	
<b>CORSA</b>	02-07	1.8L SOHC MEXICO	4	
	96-06	1.0, 1.4, 1.6, 1.8L MPFI VHC Econoflex	4	
<b>CORSICA</b>	87-89	2.0L I	4	
	93-96	2.2L 4	4	
	1992	2.2L 4	4	
	90-91	2.2L G	4	
	1989	2.8L W	6	
	1989	2.8L W S/Cable p/Bob	6	
	87-88	2.8L W	6	
	94-96	3.1L M	6	
	90-93	3.1L T	6	
	90-93	3.1L T S/Cable p/Bobina	6	
	75-81	307, 327 y 350cid CAP RECTO	8	
80-82	5.0L	8		
63-74	5.4L	8		
97-04	5.7L G, S, C5	8		
1996	5.7L, 5.7L P	8		
92-96	5.7L 5 (LT1) NO ZR-1	8		
90-95	5.7L J ZR1	8		
84-91	5.7L (8) FUEL INJECTION	8		
75-82	5.7L	8		
68-82	5.7L	8		
05-12	6.0L U	8		
05-12	7.0L E	8		
<b>DIVERSOS</b>	75-87	6.0L, 6.6L, 7.4L	8	
<b>EL CAMINO</b>	1979	3.2L	6	
	65-73	3.2L, 3.8L, 4.1L	6	
	86-87	3.8L A	6	
	80-84	3.8L A	6	
	78-79	3.8L A, 2	6	
	75-78	4.1L D, A	6	
	85-86	4.3L Z	6	
	79-82	4.4L J	8	
	1987	5.0L H	8	
	80-86	5.0L G, H	8	
	1979	5.7L L	8	
	75-77	5.7L L	8	
	<b>ENVOY</b>	06-09	4.2L S VORTEC	6
	03-12	5.3L P	8	
	<b>EPICA</b>	04-06	2.0L Z	4
<b>EQUINOX</b>	05-07	3.4L	6	
<b>EXPRESS VAN</b>	08-10	4.3L 1500	6	
	98-05	4.3L X, 1500, 2500	6	
	96-97	4.3L X, W	6	
	92-96	4.3L Z	6	
	03-06	4.8L V, 5.3L T, 6.0L U	8	
	96-02	5.0L M, 5.7L R, 1500, 2500, 3500	8	
	96-02	5.0L M, 5.7L R, S/Cable p/Bob	8	
	96-00	7.4L J, 3500	8	
	96-00	7.4L J, 3500 KODIAK	8	
	1996	7.4L N	8	
	2001	8.1L G, 3500	8	

EPDM	SILICON	ELITE	COP	BUJ	DIST
B5911G4	B6911G4	B1911G4		B210	N/A
B5270G6	B6270G6	B1270G6		B3	D1
B5710G6	B6710G6	B1710G6		B64	D41
B5729G4	B6729G4	B1729G4		B210	N/A
B5203G4	B6203G4	B1203G4		B68	D41
B5719G6	B6719G6	B1719G6		B68	D44
B5829G6	B6829G6	B1829G6		B247	D47
B5740G6	B6740G6	B1740G6		B65	D44
B59163G6	B69163G6	B19163G6		B95	N/A
			B6102G4	B505	N/A
			B6112G4	B511	N/A
B5911G4	B6911G4	B1911G4		B210	N/A
B59357FT4	B69357FT4	B19357FT4		B210	N/A
B5282G4	B6282G4	B1282G4		B75	N/A
B5828G4	B6828G4	B1828G4		B75	N/A
B59165G4	B69165G4	B19165G4		B95 B126	N/A
B5282G4	B6282G4	B1282G4		B75	N/A
B5741G6	B6741G6	B1741G6		B66	D44
B5834G6	B6834G6	B1834G6		B75	N/A
B5850G6	B6850G6	B1850G6		B75	N/A
B5952G6	B6952G6	B1952G6		B75	N/A
B5741G6	B6741G6	B1741G6		B66	D44
B5834G6	B6834G6	B1834G6		B75	N/A
B5280G8	B6280G8	B1280G8		B3	D1
B5835G8	B6835G8	B1835G8		B74	D47
B5281G8	B6281G8	B1281G8		B4	D1
B5954G8	B6954G8	B1954G8		B128	N/A
B5996G8	B6996G8	B1996G8		B123 B124	D53 D77
B5996G8	B6996G8	B1996G8		B123 B124	D53 D77
B5995G8	B6995G8	B1995G8		B75 B124	D53 D77
B59231G8	B69231G8	B19231G8		B74 B79	N/A
B5835G8	B6835G8	B1835G8		B74	D47
B5281G8	B6281G8	B1281G8		B4	D1
B59219G8	B69219G8	B19219G8		B246	N/A
B59219G8	B69219G8	B19219G8		B246	N/A
B5956G8	B6956G8	B1956G8		B75	N/A
B5740G6	B6740G6	B1740G6		B65	D44
B5270G6	B6270G6	B1270G6		B3	D1
B5740G6	B6740G6	B1740G6		B65	D44
B59163G6	B69163G6	B19163G6		B95	N/A
B5740G6	B6740G6	B1740G6		B65	D44
B5710G6	B6710G6	B1710G6		B64	D41
B59256G6	B69256G6	B19256G6		B74 B79	D47
B5837G8	B6837G8	B1837G8		B68	D44
B59258G8	B69258G8	B19258G8		B74 B95	D47
B5837G8	B6837G8	B1837G8		B68	D44
B5837G8	B6837G8	B1837G8		B68	D44
B5720G8	B6720G8	B1720G8		B64	N/A
			B6112G4	B511	N/A
B59219G8	B69219G8			B246	N/A
B59161G4	B69161G4	B19161G4		B122	N/A
B59221G6	B69221G6	B19221G6		B129	N/A
B59390G6	B69390G6	B19390G6		B129	N/A
B5971G6	B6971G6	B1971G6		B123 B126	D53 D84
B5941G6	B6941G6	B1941G6		B123 B126	D53 D84
B5968G6	B6968G6	B1968G6		B74 B95	D47
B59219G8	B69219G8			B246	N/A
B5917G8	B6917G8	B1917G8		B123	D84
B5915G8	B6915G8	B1915G8		B123	N/A
B5928G8	B6928G8	B1928G8		B126	D76
B5953G8	B6953G8	B1953G8		B126	D76
B5731G8	B6731G8	B1731G8		B63	D41
B5954G8	B6954G8	B1954G8		B128	N/A

\* Este producto se fabrica con forro de PVC

COP: Coil On Plug / Capuchón para Bobina, BUJ: Bujía, DIST: Distribuidor, N/A: No aplica "Las denominaciones y logotipos registrados que se presentan en esta publicación, son propiedad de sus titulares, Cromios SA de CV, no se hace responsable por los cambios de titularidad de los registros de marca a la fecha de la presente publicación, JUNIO 2015"



MODELO / MODEL	AÑO / YEAR	MOTOR / ENGINE	CIL
<b>HRR</b>	02-06	2.2L F-D 16 VALV ECOTEC	4
	00-05	3.4L E	6
	06-09	3.5L	6
	06-07	3.5L K	6
	99-05	3.8L (K) LS, SS(04-05)	6
	80-84	3.8L A	6
	80-84	V6 229cid K	6
	82-84	3.8L (9, K)	6
	65-73	3.8L, 4.1L	6
	06-09	3.9L	6
	06-07	3.9L I	6
	78-79	4.1L D	6
	1977	4.1L D	6
	94-96	4.3L W	8
	85-86	4.3L Z	6
	80-82	4.4L J	8
	80-85	5.0L H	8
	75-81	5.0L U, G, 5.4, 5.7L	8
	06-12	5.3L C	8
	94-96	5.7L P	8
81-85	5.7L 6	8	
76-79	5.7L L	8	
73-76	5.7L CAP RECTO ENC. CONV.	8	
73-76	5.7L	8	
<b>JIMMY</b>	83-84	2.0L	4
	87-88	2.5L E	4
	85-86	2.5L E	4
	85-89	2.8L	6
	78-82	4.1L	6
	75-78	4.1L	6
	98-01	4.3L W	6
	96-97	4.3L W CAP RECTO	6
	96-97	4.3L Z	6
	1995	4.3L Torres Verticales	6
	1995	4.3L Z Torres Horizontales	6
	88-94	4.3L Z	6
	87-91	5.7L (76-80, 87-91)	8
	1986	5.7L	8
	81-85	5.7L	8
	76-80	5.7L	8
	74-86	5.7L	8
<b>KODIAK</b>	00-AD	360" 5.9L	8
	91-98	6x4 C 2WD 427" 7.0L	8
	91-98	4x2 C 2WD 427" 7.0L	8
	00-01	HEAVY DUTY VORTEC 7.4L	8
	99-01	454" 7.4L, 500" 8.1L	8
<b>LLV VEHICULO POSTAL</b>	94-95	2.2L (4 CABLES)	4
	94-95	2.2L 4	4
	87-93	2.5L A	4
	1987	2.5L E	4
<b>LOVA</b>	07-08	1.6L	4
	1993	2.2L 4	4
<b>LUMINA</b>	90-92	2.5L R	4
	82-86	2.5L R (82-86), 2.5L 5 (82-83)	4
	00-01	3.1L J	6
	95-99	3.1L M	6
	90-94	3.1L T, W	6
	90-94	3.1L T, W S/Cable p/Bobina	6
	00-02	3.4L E	6
	98-99	3.8L K	6
<b>LUMINA APV</b>	90-95	3.1L D	6
	1996	3.4L E	6
	92-95	3.8L L	6
<b>LUV</b>	75-82	1.8L, 2.2L	4
	72-75	1.8L, 2.2L	4
	01-05	2.2L	4
	98-04	2.2L MOTOR ISUZU	4
	97-98	2.3L	4
	76-96	4 CIL (Suzuki) 33700 79831 Y00	4

EPDM	SILICON	ELITE	COP	BUJ	DIST
			B6102G4	B505	N/A
B5952G6	B6952G6	B1952G6		B75	N/A
	B69394G6	B19394G6		B129	N/A
B59221G6	B69221G6	B19221G6		B129	N/A
B5993G6	B6993G6	B1993G6		B95	N/A
B59163G6	B69163G6	B19163G6		B95	N/A
B59255G6	B69255G6	B19255G6		B74 B79	N/A
B59255G6	B69255G6	B19255G6		B74 B79	N/A
B5270G6	B6270G6	B1270G6		B3	D1
	B69394G6	B19394G6		B129	N/A
B59221G6	B69221G6	B19221G6		B129	N/A
B59164G6	B69164G6	B19164G6		B74 B95	N/A
B5710G6	B6710G6	B1710G6		B64	D41
B5997G8	B6997G8	B1997G8		B123	D53 D77
B59256G6	B69256G6	B19256G6		B74 B79	D47
B5837G8	B6837G8	B1837G8		B68	D44
B5837G8	B6837G8	B1837G8		B68	D44
B5720G8	B6720G8	B1720G8		B64	N/A
B59219G8	B69219G8	B19219G8		B246	N/A
B5997G8	B6997G8	B1997G8		B123	D53 D77
B5837G8	B6837G8	B1837G8		B68	D44
B5720G8	B6720G8	B1720G8		B64	N/A
B5280G8	B6280G8	B1280G8		B3	D1
B5730G8	B6730G8	B1730G8		B64	N/A
B59152G4	B69152G4	B19152G4		B95	D47
B5830G4	B6830G4	B1830G4		B79	D47
B5203G4	B6203G4	B1203G4		B68	D41
B5719G6	B6719G6	B1719G6		B68	D44
B59164G6	B69164G6	B19164G6		B74 B95	N/A
B5710G6	B6710G6	B1710G6		B64	D41
B5971G6	B6971G6	B1971G6		B123 B126	D53 D84
B5916G6	B6916G6	B1916G6		B75	D47
B5941G6	B6941G6	B1941G6		B123 B126	D53 D84
B5968G6	B6968G6	B1968G6		B74 B95	D47
B5941G6	B6941G6	B1941G6		B123 B126	D53 D84
B5968G6	B6968G6	B1968G6		B74 B95	D47
B5544G8	B6544G8	B1544G8		B63	D41
B5837G8	B6837G8	B1837G8		B68	D44
B5837G8	B6837G8	B1837G8		B68	D44
B5544G8	B6544G8	B1544G8		B63	D41
B59388G8	B69388G8	B19388G8		B64	N/A
B5953G8	B6953G8	B1953G8		B126	D76
B5957G8	B6957G8	B1957G8		B75	D47
B5957G8	B6957G8	B1957G8		B75	D47
B59383G8	B69383G8	B19383G8		B126	D76
B5954G8	B6954G8	B1954G8		B128	N/A
B5709G4	B6709G4	B1709G4		B75	N/A
B5742G4	B6742G4	B1742G4		B75	D47
B5830G4	B6830G4	B1830G4		B79	D47
B5336G4	B6336G4	B1336G4		B86	D47
B59167G4	B69167G4	B19167G4		B132	N/A
B5828G4	B6828G4	B1828G4		B75	N/A
B5998G4	B6998G4	B1998G4		B75 B90	N/A
B5203G4	B6203G4	B1203G4		B68	D41
B5952G6	B6952G6	B1952G6		B75	N/A
B5952G6	B6952G6	B1952G6		B75	N/A
B5741G6	B6741G6	B1741G6		B66	D44
B5834G6	B6834G6	B1834G6		B75	N/A
B5952G6	B6952G6	B1952G6		B75	N/A
B5993G6	B6993G6	B1993G6		B95	N/A
B5829G6	B6829G6	B1829G6		B247	D47
B5952G6	B6952G6	B1952G6		B75	N/A
B5726G6	B6726G6	B1726G6		B76	N/A
B5713G4	B6713G4	B1713G4		B15	D28
B5704G4	B6704G4	B1704G4		B3	D1
B5927G4	B6927G4	B1927G4		B116	N/A
B5927G4	B6927G4	B1927G4		B116	N/A
B5964G4	B6964G4	B1964G4		B5	N/A
B5919S4	B6919S4	B1919S4		B3	D4

\*Importante: La información indicada en esta publicación, ha sido obtenida por fuentes confiables y oficiales, consideramos que es correcta, sin embargo no asumimos ninguna responsabilidad por errores, cambios, omisiones o datos que resulten de estos.



\*Importante: La información indicada en esta publicación, ha sido obtenida por fuentes confiables y oficiales, consideramos que es correcta, sin embargo no asumimos ninguna responsabilidad por errores, cambios, omisiones o daños que resultaron de estos.

MODELO / MODEL	AÑO / YEAR	MOTOR / ENGINE	CIL
<b>LUV CHILENA</b>	89-98	2.3L 4ZD1 MONOPUNTO	4
	72-82	1.8L	4
	72-82	1.8L, Cable Bobina corto	4
	72-82	1.8L, Cable Bobina largo	4
<b>MALIBU</b>	02-06	2.2L F-D 16V ECOTEC (MAXX)	4
	95-02	2.4L T (146cid)	4
	00-03	3.1L J	6
	97-03	3.1L V6 MPFI	6
	97-99	3.1L M, J CALIF	6
	1979	3.2L	6
	78-79	3.3L (200cid) M V6	6
	06-09	3.5L	6
	04-07	3.5L	6
	80-83	3.8L A	6
	80-84	V6 229cid K	6
	82-84	3.8L (9, K)	6
	65-66	3.8L	6
	76-77	4.1L	6
	79-82	4.4L(79-82), 5.0L H(79-84), 5.7L(79-83)	8
	76-77	5.0L, 5.7L, 6.6L	8
	73-86	5.7L CAP RECTO ENC. CONV.	8
	73-86	5.7L CAP CODO ENC. CONV.	8
73-76	5.7L	8	
<b>MERIVA</b>	00-07	1.4, 1.8L 8v MPFI Econoflex	4
	00-07	1.4, 1.8L 8v MPFI Econoflex	4
	04-09	1.8L L4	4
<b>METRO</b>	00-01	1.3L 2, 6, 9	4
	1998	1.3L 2, 6	4
	92-94	1.3L 9	4
<b>MONTAGARCA</b>	95-00	3.0L Convertido a Gas GM OPEL	4
<b>MONTECARLO</b>	95-99	3.1L M	6
	1979	3.2L	6
	78-79	3.3L (200cid) M V6	6
	00-05	3.4L E	6
	06-07	3.5L	6
	00-05	3.8L (1,K) SS	6
	98-99	3.8L K, Z, 3.4L	6
	86-87	3.8L A	6
	80-84	3.8L A, 3	6
	80-84	V6 229cid K	6
	82-84	3.8L (9, K)	6
	76-77	4.1L D	6
	85-86	4.3L Z	6
	80-82	4.4L	8
	87-88	5.0L (H, G)	8
	78-86	5.0L U, G, H	8
	06-12	5.3L C	8
	1981	5.7L	8
76-77	5.7L L	8	
<b>MONZA</b>	1994	1.6L (EXPORT)	4
	1994	1.6L (EXPORT) CAP RECTO	4
	87-93	1.6L (EXPORT)	4
	79-80	2.5L	4
	78-80	3.2L 3.8L	6
1980	3.8L A	6	
<b>NOVA</b>	65-74	3.2L, 3.8L, 4.1L	5
	78-79	4.1L	5
	70-77	4.1L	5
	75-76	4.3L	8
	76-79	5.0L, 5.7L L	8

EPDM	SILICON	ELITE	COP	BUJ	DIST
B5772I4	B6772I4			B3	D60
B5713G4	B6713G4	B1713G4		B15	D28
B5801I4				B15	D27
B5800I4				B15	D27
			B6102G4	B505	N/A
			B6108G4	B506	N/A
B5952G6	B6952G6	B1952G6		B75	N/A
B59384G6	B69384G6	B19384G6		B76	N/A
B5952G6	B6952G6	B1952G6		B75	N/A
B5740G6	B6740G6	B1740G6		B65	D44
B59255G6	B69255G6	B19255G6		B74 B79	N/A
	B69394G6	B19394G6		B129	N/A
B59221G6	B69221G6	B19221G6		B129	N/A
B59163G6	B69163G6	B19163G6		B95	N/A
B59255G6	B69255G6	B19255G6		B74 B79	N/A
B59255G6	B69255G6	B19255G6		B74 B79	N/A
B5270G6	B6270G6	B1270G6		B3	D1
B5710G6	B6710G6	B1710G6		B64	D41
B5837G8	B6837G8	B1837G8		B68	D44
B5720G8	B6720G8	B1720G8		B64	N/A
B5280G8	B6280G8	B1280G8		B3	D1
B5281G8	B6281G8	B1281G8		B4	D1
B5730G8	B6730G8	B1730G8		B64	N/A
B59357FT4	B69357FT4	B19357FT4		B210	N/A
B5911G4	B6911G4	B1911G4		B210	N/A
			B6123G4	B515	N/A
B59186G4	B69186G4	B19186G4		B7	N/A
B5972G4	B6972G4	B1972G4		B32	D11
B59126G4	B69126G4	B19126G4		B46	D59
		B19277G4		B75	D47
B5952G6	B6952G6	B1952G6		B75	N/A
B5740G6	B6740G6	B1740G6		B65	D44
B59255G6	B69255G6	B19255G6		B74 B79	N/A
B5952G6	B6952G6	B1952G6		B75	N/A
	B69394G6	B19394G6		B129	N/A
B5993G6	B6993G6	B1993G6		B95	N/A
B5993G6	B6993G6	B1993G6		B95	N/A
B5740G6	B6740G6	B1740G6		B65	D44
B59163G6	B69163G6	B19163G6		B95	N/A
B59255G6	B69255G6	B19255G6		B74 B79	N/A
B59255G6	B69255G6	B19255G6		B74 B79	N/A
B5710G6	B6710G6	B1710G6		B64	D41
B59256G6	B69256G6	B19256G6		B74 B79	D47
B5837G8	B6837G8	B1837G8		B68	D44
B59258G8	B69258G8	B19258G8		B74 B95	D47
B5837G8	B6837G8	B1837G8		B68	D44
B59219G8	B69219G8	B19219G8		B246	N/A
B5837G8	B6837G8	B1837G8		B68	D44
B5720G8	B6720G8	B1720G8		B64	N/A
B5732G4	B6732G4			B77	D52
B5733G5	B6733G5			B78	D52
B5731G4	B6731G4			B50 B43	D32
B5203G4	B6203G4	B1203G4		B68	D41
B5740G6	B6740G6	B1740G6		B65	D44
B59163G6	B69163G6	B19163G6		B95	N/A
B5270G6	B6270G6	B1270G6		B3	D1
B59164G6	B69164G6	B19164G6		B74 B95	N/A
B5710G6	B6710G6	B1710G6		B64	D41
B5720G8	B6720G8	B1720G8		B64	N/A
B5720G8	B6720G8	B1720G8		B64	N/A

\* Este producto se fabrica con forro de PVC

COP: Coil On Plug / Capuchón para Bobina, BUJ: Bujía, DIST: Distribuidor, N/A: No aplica "Las denominaciones y logotipos registrados que se presentan en esta publicación, son propiedad de sus titulares, Cromios SA de CV, no se hace responsable por los cambios de titularidad de los registros de marca a la fecha de la presente publicación, JUNIO 2015"



MODELO / MODEL	AÑO / YEAR	MOTOR / ENGINE	CIL
<b>OPEL</b>	63-75	3.8L	6
	03-05	1.6L EXP.	4
	04-06	1.8L EXP.	4
<b>OPTRA</b>	04-10	2.0L Z (04-06), 2.0L (07-10) MEX	4
	1987	4.3L	6
<b>R/V SERIES</b>	87-88	4.8L	6
	87-91	5.7L K (87-91), 5.7L M (87-88)	8
	87-90	7.4L N	8
	87-88	7.4L W	8
	82-85	1.9L	4
	83-84	2.0L	4
<b>S-10/T10 PICK UP</b>	98-03	2.2L 4	4
	96-97	2.2L 4	4
	94-95	2.2L (4 CABLES)	4
	94-95	2.2L 4	4
	88-93	2.5L E (88-91), 2.5L A 90-93)	4
	85-86	2.5L E	4
	88-92	2.8L	4
	85-93	2.8L B, R	6
	82-84	2.8L	4
	96-05	4.3L W, X	6
	1995	4.3L W HORIZONTAL	6
	92-97	4.3L	6
	88-95	4.3L Z, W VERTICAL	6
	<b>S-15 PICK UP</b>	83-84	2.0L
89-93		2.5L E	4
85-88		2.5L (85-86), 2.5L E (87-88)	4
85-93		2.8L B, R	6
88-93		4.3L Z	6
88-90		2.5L E	4
<b>SAFARI</b>	85-87	2.5L E	4
	98-05	4.3L W, Z	6
	96-97	4.3L W (XT) CAP RECTO	6
	96-97	4.3L W, Z	6
	86-95	4.3L B (86-91), W, Z (86-95)	6
	85-86	4.3L N	6
<b>SAVANA</b>	08-10	4.3L T 1500	6
	98-05	4.3L W, Z, 1500	6
	96-97	4.3L W CAP RECTO	6
	96-97	4.3L W, Z, 1500	6
	03-12	4.8L V, 5.3L T, 6.0L U	8
	96-02	5.0L M, 5.7L R, 1500, 3500	8
	96-02	5.0L M, 5.7L R, S/Cable p/Bob	8
	96-00	7.4L J, 3500	8
	96-00	7.4L J, 3500 KODIAK	8
	2001	8.1L G, 3500	8
	<b>SERIE G VAN</b>	79-89	4.1L, 4.8L
75-78		4.1L, 4.8L HEI	6
65-74		4.1L, 4.8L HEI	6
08-10		4.3L	6
98-07		4.3L W, X	6
96-97		4.3L W CAP RECTO	6
87-96		4.3L Z	6
85-86		4.3L N 4WD	6
03-07		4.8L V 2500-3500 Express, Savana	8
78-79		4.8L	6
96-02		5.0L M	8
96-02		5.0L M S/Cable p/Bobina	8
92-96		5.0L H, 5.7L K	8
86-91		5.0L H, 5.7L K	8
76-85		5.0L	8
03-07		5.3L T 1500-2500 Express, Savana	8
96-03		5.7L R	8
96-03		5.7L R S/Cable p/Bobina	8
87-95		5.7L	8
80-82		5.7L	8
03-12		6.0L U 2500-3500 Express, Savana	8
96-00		7.4L J	8
96-00		7.4L J KODIAK	8
94-96		7.4L N FI 1500-3500 VAN	8
88-93		7.4L N	8
01-02		8.1L G	8

EPDM	SILICON	ELITE	COP	BUJ	DIST
B5270G6	B6270G6	B1270G6		B3	D1
B59202G4	B69202G4	B19202G4		B55	N/A
B59161G4	B69161G4	B19161G4		B122	N/A
B59161G4	B69161G4	B19161G4		B122	N/A
B5916G6	B6916G6	B1916G6		B75	D47
B59164G6	B69164G6	B19164G6		B74 B95	N/A
B5544G8	B6544G8	B1544G8		B63	D41
B5835G8	B6835G8	B1835G8		B74	D47
B5956G8	B6956G8	B1956G8		B75	N/A
B5713G4	B6713G4	B1713G4		B15	D28
B59152G4	B69152G4	B19152G4		B95	D47
B59159G4	B69159G4	B19159G4		B75	N/A
B5828G4	B6828G4	B1828G4		B75	N/A
B5709G4	B6709G4	B1709G4		B75	N/A
B5742G4	B6742G4	B1742G4		B75	D47
B5830G4	B6830G4	B1830G4		B79	D47
B5336G4	B6336G4	B1336G4		B86	D47
B5829G6	B6829G6	B1829G6		B247	D47
B5719G6	B6719G6	B1719G6		B68	D44
B5829G6	B6829G6	B1829G6		B247	D47
B5971G6	B6971G6	B1971G6		B123 B126	D53 D84
B5941G6	B6941G6	B1941G6		B123 B126	D53 D84
B5916G6	B6916G6	B1916G6		B75	D47
B5968G6	B6968G6	B1968G6		B74 B95	D47
B59152G4	B69152G4	B19152G4		B95	D47
B5830G4	B6830G4	B1830G4		B79	D47
B5336G4	B6336G4	B1336G4		B86	D47
B5719G6	B6719G6	B1719G6		B68	D44
B5968G6	B6968G6	B1968G6		B74 B95	D47
B5830G4	B6830G4	B1830G4		B79	D47
B5203G4	B6203G4	B1203G4		B68	D41
B5971G6	B6971G6	B1971G6		B123 B126	D53 D84
B5916G6	B6916G6	B1916G6		B75	D47
B5941G6	B6941G6	B1941G6		B123 B126	D53 D84
B5968G6	B6968G6	B1968G6		B50 B43	D47
B59257G6	B69257G6	B19257G6		B74 B79 B86	D47
B59390G6	B69390G6	B19390G6		B129	N/A
B5971G6	B6971G6	B1971G6		B123 B126	D53 D84
B5916G6	B6916G6	B1916G6		B75	D47
B5941G6	B6941G6	B1941G6		B123 B126	D53 D84
B59219G8	B69219G8	B19219G8		B246	N/A
B5917G8	B6917G8	B1917G8		B123	D84
B5915G8	B6915G8	B1915G8		B123	N/A
B5928G8	B6928G8	B1928G8		B126	D76
B5953G8	B6953G8	B1953G8		B126	D76
B5954G8	B6954G8	B1954G8		B128	N/A
B59164G6	B69164G6	B19164G6		B74 B95	N/A
B5710G6	B6710G6	B1710G6		B64	D41
B5270G6	B6270G6	B1270G6		B3	D1
B59390G6	B69390G6	B19390G6		B129	N/A
B5971G6	B6971G6	B1971G6		B123 B126	D53 D84
B5916G6	B6916G6	B1916G6		B75	D47
B5968G6	B6968G6	B1968G6		B74 B95	D47
B59257G6	B69257G6	B19257G6		B74 B79 B86	D47
B59219G8	B69219G8	B19219G8		B246	N/A
B59164G6	B69164G6	B19164G6		B74 B95	N/A
B5917G8	B6917G8	B1917G8		B123	D84
B5915G8	B6915G8	B1915G8		B123	N/A
B5731G8	B6731G8	B1731G8		B63	D41
B5544G8	B6544G8	B1544G8		B63	D41
B5720G8	B6720G8	B1720G8		B64	N/A
B59219G8	B69219G8	B19219G8		B246	N/A
B5917G8	B6917G8	B1917G8		B123	D84
B5915G8	B6915G8	B1915G8		B123	N/A
B5731G8	B6731G8	B1731G8		B63	D41
B5544G8	B6544G8	B1544G8		B63	D41
B59219G8	B69219G8	B19219G8		B246	N/A
B5928G8	B6928G8	B1928G8		B126	D76
B5953G8	B6953G8	B1953G8		B126	D76
B59260G8	B69260G8	B19260G8		B95	D47
B5835G8	B6835G8	B1835G8		B74	D47
B5954G8	B6954G8	B1954G8		B128	N/A

\*Importante: La información indicada en esta publicación, ha sido obtenida por fuentes confiables y oficiales, consideramos que es correcta, sin embargo no asumimos ninguna responsabilidad por errores, cambios, omisiones o datos que resulten de estos.







\*Importante: La información indicada en esta publicación, ha sido obtenida por fuentes confiables y oficiales, consideramos que es correcta, sin embargo no asumimos ninguna responsabilidad por errores, cambios, omisiones o daños que resultaran de estos.

MODELO / MODEL	AÑO / YEAR	MOTOR / ENGINE	CIL
<b>SERIE P VAN</b>	65-74	3.2L, 3.8L, 4.1L, 4.8L	6
	96-99	4.3L W	6
	96-98	4.3L W CAP RECTO (P30 VAN)	6
	90-95	4.3L Z	6
	86-88	4.3L W CAP RECTO	6
	79-89	4.8L T	6
	75-78	4.8L	6
	96-99	5.7L R	8
	96-99	5.7L R S/Cable p/Bobina	8
	94-96	5.7L K	8
	87-97	5.7L K	8
	80, 87-93	5.7L K (1980, 87-93) TBI	8
	75-88	5.7L, 6.6L (1975), 5.7L M (76-88)	8
	98-99	7.4L B	8
	96-99	7.4L J	8
	96-99	7.4L J KODIAK	8
	94-97	7.4L N FI 2500-3500 VAN	8
90-93	7.4L N	8	
77-89	7.4L W	8	
<b>SIERRA</b>	14-15	4.3L 1500	6
	07-12	4.3L 1500	6
	99-06	4.3L	6
	96-97	4.3L W (XC) CAP RECTO	6
	99-07	4.8L V BOB 12558693, 19005218	8
	07-12	5.3L	8
	99-07	5.3L B, T BOB 12558693	8
	99-07	5.3L BOB 19005218	8
	03-06	5.7L R S/Cable p/Bobina	8
	03-06	5.7L R, 1500, 2500, 3500	8
	96-00	5.7L R, 5.0L H S/Cable p/Bobina	8
	96-00	5.7L R, 5.0L H, 1500, 2500, 3500	8
	94-95	5.7L R, 5.0L H, 1500, 2500, 3500	8
	87-93	5.7L R, 5.0L H, 1500, 2500, 3500	8
	99-07	6.0L BOB 12558693, 19005218	8
	96-00	7.4L J	8
	96-00	7.4L J KODIAK	8
91-93	7.4L N, 2500, 3500	8	
01-06	8.1L 2500 HD, 3500	8	
<b>SILVERADO</b>	14-15	4.3L 1500	6
	07-12	4.3L 1500	6
	96-07	4.3L X, W, PICK UP 1500	6
	92-95	4.3L W, 1500, 2500	6
	99-07	4.8L V BOB 12558693, 19005218	8
	07-12	5.3L	8
	99-07	5.3L T Z, Bob 12558693, 19005218	8
	03-06	5.7L R S/Cable p/Bobina	8
	03-06	5.7L R, 1500, 2500, 3500	8
	96-00	5.7L R, 5.0L M S/Cable p/Bob	8
	96-00	5.7L R, 5.0L M, 1500, 2500, 3500	8
	94-95	5.7L R, 5.0L H, 1500, 2500, 3500	8
	93-95	5.7L TBI Fuel Inj Cap a 45°	8
	93-95	5.7L TBI FUEL INJECTION	8
	87-93	5.7L R, 5.0L H, 1500, 2500, 3500	8
	99-07	6.0L U, Bob 12558693, 19005218	8
	96-00	7.4L J	8
96-00	7.4L J KODIAK	8	
91-93	7.4L N, 2500, 3500	8	
01-06	8.1L 2500	8	

EPDM	SILICON	ELITE	COP	BUJ	DIST
B5270G6	B6270G6	B1270G6		B3	D1
B5971G6	B6971G6	B1971G6		B123 B126	D53 D84
B5916G6	B6916G6	B1916G6		B75	D47
B5968G6	B6968G6	B1968G6		B74 B95	D47
B5916G6	B6916G6	B1916G6		B75	D47
B59164G6	B69164G6	B19164G6		B74 B95	N/A
B5710G6	B6710G6	B1710G6		B64	D41
B5917G8	B6917G8	B1917G8		B123	D84
B5915G8	B6915G8	B1915G8		B123	N/A
B5731G8	B6731G8	B1731G8		B63	D41
B5989G8	B6989G8	B1989G8		B74	D47
B5544G8	B6544G8	B1544G8		B63	D41
B5720G8	B6720G8	B1720G8		B64	N/A
B5954G8	B6954G8	B1954G8		B128	N/A
B5928G8	B6928G8	B1928G8		B126	D76
B5953G8	B6953G8	B1953G8		B126	D76
B59260G8	B69260G8	B19260G8		B95	D47
B5835G8	B6835G8	B1835G8		B74	D47
B5956G8	B6956G8	B1956G8		B75	N/A
	B69419G6	B19419G6		B245	N/A
B59390G6	B69390G6	B19390G6		B129	N/A
B5941G6	B6941G6	B1941G6		B123 B126	D53 D84
B5916G6	B6916G6	B1916G6		B75	D47
B5954G8	B6954G8	B1954G8		B128	N/A
B59219G8	B69219G8	B19219G8		B246	N/A
B5954G8	B6954G8	B1954G8		B128	N/A
B5954G8	B6954G8	B1954G8		B128	N/A
B5915G8	B6915G8	B1915G8		B123	N/A
B5917G8	B6917G8	B1917G8		B123	D84
B5915G8	B6915G8	B1915G8		B123	N/A
B5917G8	B6917G8	B1917G8		B123	D84
B5731G8	B6731G8	B1731G8		B63	D41
B5544G8	B6544G8	B1544G8		B63	D41
B5954G8	B6954G8	B1954G8		B128	N/A
B5928G8	B6928G8	B1928G8		B126	D76
B5953G8	B6953G8	B1953G8		B126	D76
B5835G8	B6835G8	B1835G8		B74	D47
B5954G8	B6954G8	B1954G8		B128	N/A
	B69419G6	B19419G6		B245	N/A
B59390G6	B69390G6	B19390G6		B129	N/A
B5941G6	B6941G6	B1941G6		B123 B126	D53 D84
B5968G6	B6968G6	B1968G6		B74 B95	D47
B5954G8	B6954G8	B1954G8		B128	N/A
B59219G8	B69219G8	B19219G8		B246	N/A
B5954G8	B6954G8	B1954G8		B128	N/A
B5915G8	B6915G8	B1915G8		B123	N/A
B5917G8	B6917G8	B1917G8		B123	D84
B5915G8	B6915G8	B1915G8		B123	N/A
B5917G8	B6917G8	B1917G8		B123	D84
B5731G8	B6731G8	B1731G8		B63	D41
B59151G8	B69151G8	B19151G8		B69	D41
B5756G8	B6756G8	B1756G8		B64	D41
B5544G8	B6544G8	B1544G8		B63	D41
B5954G8	B6954G8	B1954G8		B128	N/A
B5928G8	B6928G8	B1928G8		B126	D76
B5953G8	B6953G8	B1953G8		B126	D76
B5835G8	B6835G8	B1835G8		B74	D47
B5954G8	B6954G8	B1954G8		B128	N/A

\* Este producto se fabrica con forro de PVC

COP: Coil On Plug / Capuchón para Bobina, BUJ: Bujía, DIST: Distribuidor, N/A: No aplica "Las denominaciones y logotipos registrados que se presentan en esta publicación, son propiedad de sus titulares, Cromos SA de CV, no se hace responsable por los cambios de titularidad de los registros de marca a la fecha de la presente publicación, JUNIO 2015"



MODELO / MODEL	AÑO / YEAR	MOTOR / ENGINE	CIL	
<b>SONOMA</b>	98-03	2.2L Y	4	
	94-97	2.2L Y	4	
	91-93	2.5L E	4	
	91-93	2.8L R	6	
	98-05	4.3L W	6	
	96-97	4.3L W, X CAP RECTO	6	
	95-97	4.3L W, 4.3L W TORRES HOR	6	
91-95	4.3L W, Z TORRES VERT.	6		
<b>SONORA</b>	00-06	5.7L	8	
	00-06	5.7L S/Cable p/Bobina	8	
<b>SPARK</b>	98-04	800cc LQ2	3	
	00-04	A08S carburador (Export)	3	
	11-15	1.2L MEXICO	4	
<b>SPECTRUM</b>	04-07	4 CIL (Costa Rica)	4	
	87-88	1.5L 9 CON TURBO	4	
<b>SPRINT</b>	85-88	1.5L 7 SIN TURBO, K	4	
	92-97	1.0L 5	3	
<b>SSR</b>	78-84	200"(78-79), 229"(80-81), 3.8L(82-84)	6	
	85-86	4.3L Z	6	
	03-12	5.3L P, 6.0L H	8	
<b>SUBURBAN</b>	65-74	3.8L, 4.1L, 4.8L	6	
	79-86	4.1L, 4.8L	6	
	75-78	4.1L, 4.8L	6	
	85-86	4.3L N 2WD y 4WD	6	
	00-07	5.3L T, Z	8	
	01-06	8.1L G	8	
	<b>SUBURBAN C/K</b>	81-86	5.0L, 5.7L M CALIF	8
		74-87	5.0L	8
		1987	5.0L H	8
		07-12	5.3L 3, J O	8
03-07		5.3L T, Z, FLEX FUEL	8	
00-07		5.3L T, Z	8	
96-99		5.7L R	8	
96-99		5.7L R S/Cable p/Bobina	8	
94-95		5.7L K	8	
92-95		5.7L TBI Fuel Inj. Cap a 45°	8	
92-95		5.7L TBI FUEL INJECTION	8	
88-93		5.7L K	8	
87-91		5.7L C10, C15, C30, C60	8	
81-85		5.7L	8	
75-82,86		5.7L	8	
74-87		5.7L	8	
07-12		6.0L K	8	
75-76		6.6L	8	
96-99		7.4L J	8	
96-99		7.4L J KODIAK	8	
94-95	7.4L N FI 2WD y 4WD	8		
92-93	7.4L N	8		
77-86	7.4L W	8		
01-06	8.1L G	8		
<b>SUBURBAN R/V</b>	87-91	5.7L K	8	
	87-91	7.4L N, W	8	
<b>SYCLONE</b>	1991	4.3L Z	6	
	07-12	4.8L	8	
<b>TAHOE</b>	02-06	4.8L	8	
	07-12	5.3L J, O	8	
	96-00	5.7L R	8	
	96-00	5.7L R S/Cable p/Bobina	8	
	1995	5.7L K	8	
	00-07	6.0L U, 5.3L T, 4.8L V	8	
<b>TORNADO</b>	02-07	1.8L SOHC MEXICO	4	
	99-02	1.6L 6, (2 CABLES)	4	
<b>TRACKER</b>	1998	1.6L 6, (16V) SOHC	4	
	96-98	1.6L 6 L4 (1588cc, 98cid) 16V SOHC	4	
	89-95	1.6L U, (8V) SOHC	4	

EPDM	SILICON	ELITE	COP	BUJ	DIST
B59159G4	B69159G4	B19159G4		B75	N/A
B5828G4	B6828G4	B1828G4		B75	N/A
B5830G4	B6830G4	B1830G4		B79	D47
B5719G6	B6719G6	B1719G6		B68	D44
B5971G6	B6971G6	B1971G6		B123 B126	D53 D84
B5916G6	B6916G6	B1916G6		B75	D47
B5941G6	B6941G6	B1941G6		B123 B126	D53 D84
B5968G6	B6968G6	B1968G6		B74 B95	D47
B5917G8	B6917G8	B1917G8		B123	D84
B5915G8	B6915G8	B1915G8		B123	N/A
B59305G3	B69305G3	B19305G3		B115	N/A
B59358G3	B69358G3	B19358G3		B196 B49	D59
B59278G4	B69278G4	B19278G4		B188	N/A
B59293G4	B69293G4	B19293G4		B248	N/A
B59176G4	B69176G4	B19176G4		B94	D47
B59175G4	B69175G4	B19175G4		B21	N/A
B59418G3	B69418G3	B19418G3		B153	D21
B59255G6	B69255G6	B19255G6		B74 B79	N/A
B59256G6	B69256G6	B19256G6		B74 B79	D47
B59219G8	B69219G8	B19219G8		B246	N/A
B5270G6	B6270G6	B1270G6		B3	D1
B59164G6	B69164G6	B19164G6		B74 B95	N/A
B5710G6	B6710G6	B1710G6		B64	D41
B59257G6	B69257G6	B19257G6		B74 B79 B86	D47
B5954G8	B6954G8	B1954G8		B128	N/A
B5954G8	B6954G8	B1954G8		B128	N/A
B5837G8	B6837G8	B1837G8		B68	D44
B59388G8	B69388G8	B19388G8		B64	N/A
B5731G8	B6731G8	B1731G8		B63	D41
B59219G8	B69219G8	B19219G8		B246	N/A
B5954G8	B6954G8	B1954G8		B128	N/A
B5954G8	B6954G8	B1954G8		B128	N/A
B5917G8	B6917G8	B1917G8		B123	D84
B5915G8	B6915G8	B1915G8		B123	N/A
B5731G8	B6731G8	B1731G8		B63	D41
B59151G8	B69151G8	B19151G8		B69	D41
B5756G8	B6756G8	B1756G8		B64	D41
B5544G8	B6544G8	B1544G8		B63	D41
B5730G8	B6730G8	B1730G8		B64	N/A
B5837G8	B6837G8	B1837G8		B68	D44
B5720G8	B6720G8	B1720G8		B64	N/A
B59388G8	B69388G8	B19388G8		B64	N/A
B59219G8	B69219G8	B19219G8		B246	N/A
B5720G8	B6720G8	B1720G8		B64	N/A
B5928G8	B6928G8	B1928G8		B126	D76
B5953G8	B6953G8	B1953G8		B126	D76
B59260G8	B69260G8	B19260G8		B95	D47
B5835G8	B6835G8	B1835G8		B74	D47
B5956G8	B6956G8	B1956G8		B75	N/A
B5954G8	B6954G8	B1954G8		B128	N/A
B5544G8	B6544G8	B1544G8		B63	D41
B5835G8	B6835G8	B1835G8		B74	D47
B5283G6	B6283G6	B1283G6		B74 B75	D41
B59219G8	B69219G8	B19219G8		B246	N/A
B5954G8	B6954G8	B1954G8		B128	N/A
B59219G8	B69219G8	B19219G8		B246	N/A
B5917G8	B6917G8	B1917G8		B123	D84
B5915G8	B6915G8	B1915G8		B123	N/A
B5731G8	B6731G8	B1731G8		B63	D41
B5954G8	B6954G8	B1954G8		B128	N/A
B5911G4	B6911G4	B1911G4		B210	N/A
B59186G4	B69186G4	B19186G4		B7	N/A
B5972G4	B6972G4	B1972G4		B32	D11
B59386G4	B69386G4	B19386G4		B32	D11
B59127G4	B69127G4	B19127G4		B5	D17

\*Importante: La información indicada en esta publicación, ha sido obtenida por fuentes confiables y oficiales, consideramos que es correcta, sin embargo no asumimos ninguna responsabilidad por errores, cambios, omisiones o datos que resulten de estos.

# CHEVROLET



MODELO / MODEL	AÑO / YEAR	MOTOR / ENGINE	CIL
<b>TRAILBLAZER</b>	06-09	4.2L S	6
	01-03	4.3L X, W	6
	03-12	5.3L M, P	8
	06-12	6.0L H, U	8
<b>TYPHOON</b>	92-93	4.3L Z	6
<b>UPLANDER</b>	05-06	3.5L	6
	2007	3.9L I	6
	06-07	3.9L	6
<b>VARIOS</b>	80-86	V6	6
	75-91	8 CIL	8
<b>VENTURE</b>	97-05	3.4L E	6
	97-99	3.4L	6
	00-07	4.8L, 5.3L 1er y 2do Diseño	8
<b>YUKON</b>	07-12	5.3L J, 6.0L Y, K, 6.2L 8	8
	96-00	5.7L R	8
	96-00	5.7L R S/Cable p/Bobina	8
	94-95	5.7L K	8
	88-93	5.7L K TBI Cables largos	8
	00-06	6.0L U, AMBOS DISEÑOS	8
	01-06	8.1L G	8

EPDM	SILICON	ELITE	COP	BUJ	DIST
			B6112G4	B511	N/A
B5971G6	B6971G6	B1971G6		B123 B126	D53 D84
B59219G8	B69219G8	B19219G8		B246	N/A
B59219G8	B69219G8	B19219G8		B246	N/A
B5283G6	B6283G6	B1283G6		B74 B75	D41
B59221G6	B69221G6	B19221G6		B129	N/A
B59221G6	B69221G6	B19221G6		B129	N/A
	B69394G6	B19394G6		B129	N/A
B5764G6	B6764G6	B1764G6		B68	N/A
B5999G8	B6999G8	B1999G8		B68	N/A
B5952G6	B6952G6	B1952G6		B75	N/A
B59385G6	B69385G6	B19385G6	NUEVO	B95	N/A
B5954G8	B6954G8	B1954G8		B128	N/A
B59219G8	B69219G8			B246	N/A
B5917G8	B6917G8	B1917G8		B123	D84
B5915G8	B6915G8	B1915G8		B123	N/A
B5731G8	B6731G8	B1731G8		B63	D41
B5544G8	B6544G8	B1544G8		B63	D41
B5954G8	B6954G8	B1954G8		B128	N/A
B5954G8	B6954G8	B1954G8		B128	N/A

# DAEWOO

<b>CIELO RACER</b>	96-97	1.5L (NP1332)	4
<b>DAEWOO</b>	94-97	1.8L (Exportación)	4
<b>ESPERO</b>	95-99	1.8L C18LE, 2.0L C20LE	4
<b>GENTRA</b>	07-08	1.6L	4
	97-02	1.5L	4
<b>LANOS</b>	1997	1.5L (96305387)	4
	99-02	1.6L	4
	97-99	2.0L C20NED (Exp)	4
<b>LEGANZA</b>	98-02	2.2L 2	4
	04-07	0.8L SOHC 6 valvulas (exp)	4
<b>MATIZ</b>	98-05	F8C Carburado (Exportacion)	3
	04-14	1.0L	4
	98-08	1.0L COSTA RICA	4
	1988	1.5L DOHC (96211948/96497773)	4
<b>NUBIRA</b>	98-02	2.0L Z	4
<b>POINTER 1</b>	95-98	1.5L	4
<b>RACER</b>	93-95	1.5L	4

B5958D4	B6958D4	B1958D4		B77 B89	D52
B5201D4				B75	D52
B5802D4	B6802D4			B75	D52
B59167G4	B69167G4	B19167G4		B132	N/A
B5204D4	B6204D4			B106 B107	N/A
B5963D4	B6963D4			B106 B115	N/A
B59167G4	B69167G4	B19167G4		B132	N/A
B59298D4	B69298D4	B19298G4		B116	N/A
B59161G4	B69161G4	B19161G4		B122	N/A
B59104D4	B69104D4	B19104D4		B248	N/A
B59358G3	B69358G3	B19358G3		B196 B49	D59
B59104D4	B69104D4	B19104D4		B248	N/A
B59293G4	B69293G4	B19293G4		B248	N/A
B5959D4	B6959D4			B132	N/A
B59161G4	B69161G4	B19161G4		B122	N/A
B5203D4				B75 B86	D52
B5202D4	B6202D4	B1202D4		B75 B83	D52

# GEO

<b>METRO</b>	99-00	1.3L 9	4
	1998	1.3L 9	4
	92-97	1.3L 9	4
<b>PRISM</b>	89-92	1.6L 6	4
<b>SPECTRUM</b>	87-89	1.5L 9 CON TURBO	4
	86-89	1.5L 7	4
<b>STORM</b>	90-93	1.6L 6	4
	89-90	1.5L 9 CON TURBO	4
	99-02	1.6L 6 CANADA	4
<b>TRACKER</b>	1998	1.6L 6 MFI 16V	4
	96-98	1.6L 6 L4 (1588cc, 98cid) 16V SOHC	4
	89-95	1.6L U TBI 8V	4

B59186G4	B69186G4	B19186G4		B7	N/A
B5972G4	B6972G4	B1972G4		B32	D11
B59126G4	B69126G4	B19126G4		B46	D59
B5535Y4	B6535Y4	B1535Y4		B153	N/A
B59176G4	B69176G4	B19176G4		B94	D47
B59175G4	B69175G4	B19175G4		B21	N/A
B59176G4	B69176G4	B19176G4		B94	D47
B59176G4	B69176G4	B19176G4		B94	D47
B59186G4	B69186G4	B19186G4		B7	N/A
B5972G4	B6972G4	B1972G4		B32	D11
B59386G4	B69386G4	B19386G4		B32	D11
B59127G4	B69127G4	B19127G4		B5	D17

\*Importante: La información indicada en esta publicación, ha sido obtenida por fuentes confiables y oficiales, consideramos que es correcta, sin embargo no asumimos ninguna responsabilidad por errores, cambios, omisiones o daños que resultaron de estos.

\* Este producto se fabrica con forro de PVC

COP: Coil On Plug / Capuchón para Bobina, BUJ: Bujía, DIST: Distribuidor, N/A: No aplica "Las denominaciones y logotipos registrados que se presentan en esta publicación, son propiedad de sus titulares, Cromios SA de CV, no se hace responsable por los cambios de titularidad de los registros de marca a la fecha de la presente publicación, JUNIO 2015"

# HUMMER

MODELO / MODEL	AÑO / YEAR	MOTOR / ENGINE	CIL
<b>H2</b>	03-07	6.0L N BOB 12558693 MITS	8
	03-07	6.0L N BOB 19005218 DELPHI	8
<b>H3</b>	07-10	3.7L E	6
	95-96	5.7L D	8
<b>HUMMER</b>	2003	6.0L N BOB 12558693 MITS	8
	2003	6.0L N BOB 19005218 DELPHI	8



# OLDSMOBILE

<b>ACHIEVA</b>	96-98	2.4L (146cid) T	4
	92-95	2.3L (140cid)	4
	94-98	3.1L M	6
	92-93	3.3L N	6
<b>ALERO</b>	02-06	2.2L F, D 16 VALV ECOTEC	4
	99-01	2.4L T (146cid)	4
	99-04	3.4L E	6
<b>AURORA</b>	98-99	4.6L FUEL INJ 32V DOHC 9, Y	8
	91-93	2.5L	4
<b>BRAVADA</b>	96-01	4.3L W, X, Z	6
	96-97	4.3L W CAP RECTO	6
	95-97	4.3L W (HORIZONTAL)	6
	91-95	4.3L W (VERTICAL)	6
<b>CALAIS</b>	1988	2.3L D (140cid)	4
<b>CIERA</b>	95-96	3.1L F.I. (M)	6
<b>CRUISER</b>	87-89	2.8L	6
	1986	2.8L	6
<b>CUSTOM CRUISER</b>	1992	5.7L 7	8
<b>CUTLASS</b>	97-99	3.1L M	6
	92-93	3.3L	6
<b>CUTLASS CALAIS</b>	93-96	2.2L 4	4
	89-91	2.3L A, D (140cid)	4
	82-83	2.5L	4
	84-86	2.5L R (84-86), 2.5L U (85-86)	4
	87-93	2.5L R (87-93), 2.5L U (87-91)	4
	85-88	3.0L	6
	89-91	3.3L N	6
	78-80	5.7L	8
	87-96	2.8L 2da Generacion, W	6
	87-88	2.8L 1era Generacion	6
<b>CUTLASS CIERA</b>	83-86	2.8L 2da Generacion, W, X	6
	1982	2.8L 2da Generacion	6
	87-89	2.8L S/Cable p/Bobina	6
	1986	2.8L	6
	83-85	3.0L	6
	1982	3.0L	6
	1994	3.1L F.I. (M)	6
	1992	3.1L T CANADA	6
	89-96	3.1L 2da Generacion	6
	92-93	3.3L N	6
<b>CUTLASS EUROSPORT</b>	89-96	3.1L 2da Generacion	6
	88-89	2.8L W S/Cable p/Bobina	6
	88-89	2.8L W, X 2da Generacion	6
	94-99	3.1 J, M 2do Diseño	6
	93-94	3.1L F.I. (M)	6
	89-93	3.1L T 2da Generacion	6
	89-93	3.1L T S/Cable p/Bobina	6
	77-87	3.8L A	6
	81-82	4.4L	8
	80-86	5.0L (78-79), 5.0L H Can(80-86)	8



EPDM	SILICON	ELITE	COP	BUJ	DIST
B5954G8	B6954G8	B1954G8		B128	N/A
B5954G8	B6954G8	B1954G8		B128	N/A
			B6112G4	B511	N/A
B5544G8	B6544G8	B1544G8		B63	D41
B5954G8	B6954G8	B1954G8		B128	N/A
B5954G8	B6954G8	B1954G8		B128	N/A

			B6108G4	B506	N/A
			B6108G4	B506	N/A
B5952G6	B6952G6	B1952G6		B75	N/A
B5851G6	B6851G6	B1851G6		B95	N/A
			B6102G4	B505	N/A
			B6108G4	B506	N/A
B5952G6	B6952G6	B1952G6		B75	N/A
B59274G8	B69274G8	B19274G8		B184	N/A
B5336G4	B6336G4	B1336G4		B86	D47
B5971G6	B6971G6	B1971G6		B123 B126	D53 D84
B5916G6	B6916G6	B1916G6		B75	D47
B5941G6	B6941G6	B1941G6		B123 B126	D53 D84
B5968G6	B6968G6	B1968G6		B74 B95	D47
			B6108G4	B506	N/A
B59270G6	B69270G6	B19270G6		B75	N/A
B5834G6	B6834G6	B1834G6		B75	N/A
B5829G6	B6829G6	B1829G6		B247	D47
B59189G8	B69189G8	B19189G8		B74 B95	N/A
B5952G6	B6952G6	B1952G6		B75	N/A
B5851G6	B6851G6	B1851G6		B95	N/A
B5828G4	B6828G4	B1828G4		B75	N/A
			B6108G4	B506	N/A
B5203G4	B6203G4	B1203G4		B68	D41
B5336G4	B6336G4	B1336G4		B86	D47
B5998G4	B6998G4	B1998G4		B75 B90	N/A
B5851G6	B6851G6	B1851G6		B95	N/A
B5726G6	B6726G6	B1726G6		B76	N/A
B59388G8	B69388G8	B19388G8		B64	N/A
B5741G6	B6741G6	B1741G6		B66	D44
B5719G6	B6719G6	B1719G6		B68	D44
B5719G6	B6719G6	B1719G6		B68	D44
B59163G6	B69163G6	B19163G6		B95	N/A
B5834G6	B6834G6	B1834G6		B75	N/A
B5829G6	B6829G6	B1829G6		B247	D47
B5740G6	B6740G6	B1740G6		B65	D44
B59163G6	B69163G6	B19163G6		B95	N/A
B59270G6	B69270G6	B19270G6		B75	N/A
B5741G6	B6741G6	B1741G6		B66	D44
B5741G6	B6741G6	B1741G6		B66	D44
B5851G6	B6851G6	B1851G6		B95	N/A
B5726G6	B6726G6	B1726G6		B76	N/A
B5851G6	B6851G6	B1851G6		B95	N/A
B5740G6	B6740G6	B1740G6		B65	D44
B5741G6	B6741G6	B1741G6		B66	D44
B5834G6	B6834G6	B1834G6		B75	N/A
B5741G6	B6741G6	B1741G6		B66	D44
B5952G6	B6952G6	B1952G6		B75	N/A
B59270G6	B69270G6	B19270G6		B75	N/A
B5741G6	B6741G6	B1741G6		B66	D44
B5834G6	B6834G6	B1834G6		B75	N/A
B59163G6	B69163G6	B19163G6		B95	N/A
B5837G8	B6837G8	B1837G8		B68	D44
B5837G8	B6837G8	B1837G8		B68	D44

\*Importante: La informacion indicada en esta publicacion, ha sido obtenida por fuentes confiables y oficiales, consideramos que es correcta, sin embargo no asumimos ninguna responsabilidad por errores, cambios, omisiones o datos que resulten de estos.





# OLDSMOBILE



\*Importante: La información indicada en esta publicación, ha sido obtenida por fuentes confiables y oficiales, consideramos que es correcta, sin embargo no asumimos ninguna responsabilidad por errores, cambios, omisiones o daños que resultaron de estos.

MODELO / MODEL	AÑO / YEAR	MOTOR / ENGINE	CIL
<b>DELTA 88 SEDAN</b>	1999	3.8L F.I. (K) V6	6
	96-99	3.8L I (96-99), 3.8L K (95-98)	6
	92-94	3.8L I, 3.8L mod. DELCO	6
	90-92	3.8L MOD IGN MAGNAVOX	6
	88-91	3.8L C	6
	86-88	3.8L 3, B	6
	83-85	3.8L A	6
	77-82	3.8L	6
	1982	4.1L 4	6
	1982	4.4L J CANADA	8
1977	5.7L G	8	
<b>FIRENZA</b>	84-86	1.8L O (112cid)	4
	1982	1.8L O, G	4
	83-84	2.0L	4
	87-88	2.0L I	4
	87-88	2.0L K, M	4
	85-86	2.0L P	4
	85-86	2.8L W	6
	1987	2.8L W	6
<b>INTRIGUE</b>	98-99	3.8L K	6
<b>LSS</b>	96-99	3.8L I, K	6
	1995	3.8L I SUPERCARGADO	6
<b>OMEGA</b>	81-83	2.5L	4
	1984	2.5L	4
	80-81	2.5L CANADA	4
	80-82	2.8L	6
	77-79	3.8L	6
<b>REGENCY 98 (NINETY EIGHT)</b>	1985	3.0L E	6
	95-98	3.8L K	6
	92-95	3.8L I, 3.8L I Mod Delco (92)	6
	90-92	3.8L I MOD IGN MAGNAVOX	6
	88-90	3.8L C	6
	86-88	3.8L 3	6
	1985	3.8L 3	6
	1982	3.8L	6
	81-82	4.1L 4	6
	81-82	4.4L CANADA	8
<b>SILHOUETTE</b>	93-96	2.3L G (140cid)	4
	90-95	3.1L D	6
	96-99	3.4L E	6
	92-95	3.8L	6
<b>TORONADO</b>	91-92	3.8L C MOD ENC DELCO	6
	89-92	3.8L C MOD ENC MAGNAVOX	6
	86-87	3.8L 3, B	6
	1988	3.8L C	6
	82-84	4.1L 4	6

EPDM	SILICON	ELITE	COP	BUJ	DIST
B59273G6	B69273G6			B95	N/A
B5994G6	B6994G6	B1994G6		B75	N/A
B5726G6	B6726G6	B1726G6		B76	N/A
B5856G6	B6856G6	B1856G6		B95	N/A
B5856G6	B6856G6	B1856G6		B95	N/A
B5851G6	B6851G6	B1851G6		B95	N/A
B5740G6	B6740G6	B1740G6		B65	D44
B59163G6	B69163G6	B19163G6		B95	N/A
B59163G6	B69163G6	B19163G6		B95	N/A
B5837G8	B6837G8	B1837G8		B68	D44
B5720G8	B6720G8	B1720G8		B64	N/A
B59254G4	B69254G4	B19254G4		B74 B75 B86	D47
B59152G4	B69152G4	B19152G4		B95	D47
B59152G4	B69152G4	B19152G4		B95	D47
B5282G4	B6282G4	B1282G4		B75	N/A
B59152G4	B69152G4	B19152G4		B95	D47
B59152G4	B69152G4	B19152G4		B95	D47
B5829G6	B6829G6	B1829G6		B247	D47
B5850G6	B6850G6	B1850G6		B75	N/A
B5993G6	B6993G6	B1993G6		B95	N/A
B5994G6	B6994G6	B1994G6		B75	N/A
B5726G6	B6726G6	B1726G6		B76	N/A
B5203G4	B6203G4	B1203G4		B68	D41
B5336G4	B6336G4	B1336G4		B86	D47
B5203G4	B6203G4	B1203G4		B68	D41
B59163G6	B69163G6	B19163G6		B95	N/A
B5740G6	B6740G6	B1740G6		B65	D44
B5740G6	B6740G6	B1740G6		B65	D44
B5994G6	B6994G6	B1994G6		B75	N/A
B5726G6	B6726G6	B1726G6		B76	N/A
B5856G6	B6856G6	B1856G6		B95	N/A
B5856G6	B6856G6	B1856G6		B95	N/A
B5851G6	B6851G6	B1851G6		B95	N/A
B5740G6	B6740G6	B1740G6		B65	D44
B59163G6	B69163G6	B19163G6		B95	N/A
B59163G6	B69163G6	B19163G6		B95	N/A
B5837G8	B6837G8	B1837G8		B68	D44
B5829G6	B6829G6	B1829G6	B6108G4	B506	N/A
B5952G6	B6952G6	B1952G6		B247	D47
B5726G6	B6726G6	B1726G6		B75	N/A
B5726G6	B6726G6	B1726G6		B76	N/A
B5726G6	B6726G6	B1726G6		B76	N/A
B5856G6	B6856G6	B1856G6		B95	N/A
B5851G6	B6851G6	B1851G6		B95	N/A
B5856G6	B6856G6	B1856G6		B95	N/A
B59163G6	B69163G6	B19163G6		B95	N/A



AVEO	2004	1.4L (CHILE)	4
<b>CORSA</b>	96-12	1.0, 1.4, 1.6, 1.8L MPFI Econoflex	4
	94-96	1.4L (CHILE)	4
	98-00	1.6L (CHILE)	4
	02-07	1.8L MEXICO	4
<b>VECTRA</b>	93-94	1.6L CD/GLS	4
	88-94	1.6L (CHILE) 5 CABLES	4
	95-96	1.6L 5 CABLES 16V	4
	93-95	1.8L (CHILE) 4 CABLES	4
	88-90	4 CIL (A, A CC)	4

B59201G4	B69201G4			B105 B107	N/A
B59357FT4	B69357FT4	B19357FT4		B116	N/A
B5922G4	B6922G4	B1922G4		B111 B112	D78
B5773G4	B6773G4			B116	N/A
B5911G4	B6911G4	B1911G4		B210	N/A
B5926G4	B6926G4	B1926G4		B116 B125	D79
B59200G4	B69200G4			B79 B88	D47
B59212G4	B69212G4	B19212G4		B122	D35
B59199G4	B69199G4			B116	N/A
B59146G4	B69146G4	B19146G4		B116	D35

\* Este producto se fabrica con forro de PVC

COP: Coil On Plug / Capuchón para Bobina, BUJ: Bujía, DIST: Distribuidor, N/A: No aplica "Las denominaciones y logotipos registrados que se presentan en esta publicación, son propiedad de sus titulares, Cromios SA de CV, no se hace responsable por los cambios de titularidad de los registros de marca a la fecha de la presente publicación, JUNIO 2015"





MODELO / MODEL	AÑO / YEAR	MOTOR / ENGINE	CIL
<b>6000</b>	87-91	2.5L R	4
	84-86	2.5L R	4
	82-83	2.5L R	4
	87-89	2.8L W S/Cable p/Bobina	6
	85-86	2.8L W, Z	6
	1983	2.8L X, Z	6
	88-91	3.1L T S/Cable p/Bobina	6
<b>AZTEK</b>	97-03	3.1L MPFI	6
	01-05	3.4L E	6
<b>BONEVILLE</b>	99,00-01	3.8L F.I. HO (K) V6	6
	2001	3.8L 1 (SUPERCARGADO)	6
	96-99	3.8L 1 (96-99), 3.8L K (95-98)	6
	92-95	3.8L 1	6
	88-92	3.8L C, L MOD MAGNAVOX	6
	87-88	3.8L 3 MOD. IGN DELCO	6
	81-86	3.8L A	6
	80-81	V6 229cid K (CATALINA)	6
	1982	4.1L	6
	1985	4.3L Z	6
	81-86	4.4L(1982), 5.0L H(82-86), W(81)	8
<b>FIERO</b>	87-88	2.5L R	4
	84-86	2.5L R	4
	85-88	2.8L 9	6
<b>FIREBIRD</b>	84-86	2.5L 2	4
	82-83	2.5L 2, F	4
	85-89	2.8L S	6
	95-99	3.0L	6
	90-92	3.1L T	6
	93-95	3.4L S	6
	1989	3.8L 7	6
	80-81	3.8L	6
	77-79	3.8L	6
	89-92	5.0L E, F	8
	85-86	5.0L F	8
	82-86	5.0L G, H	8
	98-02	5.7L G TRANS AM, FORMULA	8
	93-97	5.7L P	8
89-92	5.7L 8	8	
78-79	5.7L L	8	
77-87	5.7L	8	
<b>FIREFLY</b>	85-88	1.0L 5 SIN TURBO	3
	1999	1.3L 6, 3 (2 CABLES)	4
	1998	1.3L 9, 6, 2	4
	92-97	1.3L 9	4
<b>G3</b>	07-08	1.6L	4
	06-09	3.5L	6
<b>G6</b>	05-07	3.5L	6
	2007	3.9L	6
	06-09	3.9L	6
	87-89	2.0L M	4
<b>GRAND AM</b>	02-06	2.2L F, D 16 VALV ECOTEC	4
	88-95	2.3L 3, A, D (140cid)	4
	96-01	2.4L T (146cid)	4
	87-91	2.5L U	4
	85-86	2.5L R	4
	85-87	3.0L	6
	94-98	3.1L M	6
	92-93	3.3L N	6
	99-05	3.4L E	6
		78-79	V6 200cid (M) CANADA
	80-81	V6 229cid K, A(1980)	6
<b>GRAND LEMANS</b>	90-91	2.3L 3, A, D (140cid)	4
	88-89	2.8L W S/Cable p/Bobina	6
	00-03	3.1L J	6
	93-99	3.1L M	6
	89-93	3.1L T S/Cable p/Bob(TURBO)	6

EPDM	SILICON	ELITE	COP	BUJ	DIST
B5998G4	B6998G4	B1998G4		B75 B90	N/A
B5336G4	B6336G4	B1336G4		B86	D47
B5203G4	B6203G4	B1203G4		B68	D41
B5834G6	B6834G6	B1834G6		B75	N/A
B5829G6	B6829G6	B1829G6		B247	D47
B59163G6	B69163G6	B19163G6		B95	N/A
B5834G6	B6834G6	B1834G6		B75	N/A
B59384G6	B69384G6	B19384G6		B76	N/A
B5952G6	B6952G6	B1952G6		B75	N/A
B59273G6	B69273G6			B95	N/A
B5993G6	B6993G6	B1993G6		B95	N/A
B5994G6	B6994G6	B1994G6		B75	N/A
B5726G6	B6726G6	B1726G6		B76	N/A
B5856G6	B6856G6	B1856G6		B95	N/A
B5851G6	B6851G6	B1851G6		B95	N/A
B59163G6	B69163G6	B19163G6		B95	N/A
B59255G6	B69255G6	B19255G6		B74 B79	N/A
B59163G6	B69163G6	B19163G6		B95	N/A
B59256G6	B69256G6	B19256G6		B74 B79	D47
B5837G8	B6837G8	B1837G8		B68	D44
B5998G4	B6998G4	B1998G4		B75 B90	N/A
B5336G4	B6336G4	B1336G4		B86	D47
B5829G6	B6829G6	B1829G6		B247	D47
B5336G4	B6336G4	B1336G4		B86	D47
B5203G4	B6203G4	B1203G4		B68	D41
B5829G6	B6829G6	B1829G6		B247	D47
B59303G6	B69303G6	B19303G6		B74	N/A
B5829G6	B6829G6	B1829G6		B247	D47
B5846G6	B6846G6	B1846G6		B95	N/A
B5719G6	B6719G6	B1719G6		B68	D44
B59163G6	B69163G6	B19163G6		B95	N/A
B5740G6	B6740G6	B1740G6		B65	D44
B59189G8	B69189G8	B19189G8		B74 B95	N/A
B5835G8	B6835G8	B1835G8		B74	D47
B5837G8	B6837G8	B1837G8		B68	D44
B5954G8	B6954G8	B1954G8		B128	N/A
B5997G8	B6997G8	B1997G8		B123	D53 D77
B59189G8	B69189G8	B19189G8		B74 B95	N/A
B5720G8	B6720G8	B1720G8		B64	N/A
B59388G8	B69388G8	B19388G8		B64	N/A
B59418G3	B69418G3	B19418G3		B153	D21
B59186G4	B69186G4	B19186G4		B7	N/A
B5972G4	B6972G4	B1972G4		B32	D11
B59126G4	B69126G4	B19126G4		B46	D59
B59167G4	B69167G4	B19167G4		B132	N/A
	B69394G6	B19394G6		B129	N/A
B59221G6	B69221G6	B19221G6		B129	N/A
B59221G6	B69221G6	B19221G6		B129	N/A
	B69394G6	B19394G6		B129	N/A
B59152G4	B69152G4	B19152G4		B95	D47
			B6102G4	B505	N/A
			B6108G4	B506	N/A
			B6108G4	B506	N/A
B5998G4	B6998G4	B1998G4		B75 B90	N/A
B5336G4	B6336G4	B1336G4		B86	D47
B5851G6	B6851G6	B1851G6		B95	N/A
B5952G6	B6952G6	B1952G6		B75	N/A
B5851G6	B6851G6	B1851G6		B95	N/A
B5952G6	B6952G6	B1952G6		B75	N/A
B59255G6	B69255G6	B19255G6		B74 B79	N/A
B59255G6	B69255G6	B19255G6		B74 B79	N/A
			B6108G4	B506	N/A
B5834G6	B6834G6	B1834G6		B75	N/A
B5952G6	B6952G6	B1952G6		B75	N/A
B5952G6	B6952G6	B1952G6		B75	N/A
B5834G6	B6834G6	B1834G6		B75	N/A

\*Importante: La información indicada en esta publicación, ha sido obtenida por fuentes confiables y oficiales, consideramos que es correcta, sin embargo no asumimos ninguna responsabilidad por errores, cambios, omisiones o datos que resulten de estos.





\*Importante: La información indicada en esta publicación, ha sido obtenida por fuentes confiables y oficiales, consideramos que es correcta, sin embargo no asumimos ninguna responsabilidad por errores, cambios, omisiones o daños que resultaran de estos.

MODELO / MODEL	AÑO / YEAR	MOTOR / ENGINE	CIL
<b>GRAND PRIX</b>	2001	3.8L I (GTP)	6
	99-08	3.8L (2, K, Supercargado(1,4))	6
	97-98	3.8L K	6
	96-97	3.8L NO APLICA P/SUPERCARGADO	6
	78-87	3.8L A	6
	1982	4.1L	6
	1987	5.0L H	8
78-86	5.0L (78-79), 5.0L H (80-86)	8	
<b>GTO</b>	2004	5.7L	8
	05-06	6.0L H	8
<b>J 2000</b>	82-86	1.8L O, G(1982), 2.0L(83-84), P(85-86)	4
	83-84	1.8L J, 1.8L O (112cid)	4
<b>LAURETIAN</b>	80-81	V6 229cid K	6
<b>LEMANS</b>	88-93	1.6L 6 (88-93), 2.0L K (89-90)	4
	78-79	V6 200cid (M) CANADA	6
	1980	V6 231cid A	6
	77-78	3.8L	6
<b>LEMANS PARISIENNE</b>	80-81	V6 229cid K	6
<b>MATIZ</b>	04-14	1.0L	4
	98-08	1.0L COSTA RICA	4
	99-05	3.4L E	6
<b>MONTANA</b>	05-06	3.5L SV6	6
	06-09	3.9L	6
	06-07	3.9L I	6
<b>OPTIMA</b>	88-93	1.6L 6 (88-93), 2.0L K (89-90)	4
	84-85	3.8L A	6
<b>PARISIENNE</b>	1983	3.8L (9)	6
	1985	4.3L Z	6
	83-86	5.0L H (83-86), 5.7L 6 (85-86)	8
	1984	2.5L	4
	80-83	2.5L Can/Usa(80-81), Mex(82-83)	4
<b>PHOENIX</b>	80-82	2.8L	6
	78-79	3.8L	6
	78-79	5.0L L, U	8
	02-06	2.2L F, D 16 VALV ECOTEC	4
<b>SUNBIRD</b>	85-86	1.8L O, J (112cid)	4
	92-94	2.0L H	4
	87-91	2.0L K, M	4
	95-96	2.2L 4	4
	79-80	2.5L V, 9	4
	91-94	3.1L 189cid T S/Cable p/Bob	6
	1980	3.8L	6
	76-80	3.8L A, 2	6
	87-89	1.5L 9 CON TURBO	4
86-89	1.5L K(1985), 1.5L 7 S/Turbo(86-89)	4	
<b>SUNBURST</b>	02-06	2.2L F, D 16 VALV ECOTEC	4
	98-02	2.2L 4	4
	95-97	2.2L 4	4
	1995	2.3L A, D (140cid)	4
	96-02	2.4L T (146cid)	4
<b>SUNRUNNER</b>	1994	1.6L U	4
<b>SV6</b>	05-06	3.5L	6
<b>T1000</b>	1981	1.6L A/C	4
<b>TEMPEST</b>	87-89	2.0L I	4
<b>TORRENT</b>	06-07	3.4L	6
	1989	2.8L W	6
<b>TRANS AM</b>	87-88	2.8L W	6
	90-92	3.1L T	6
	98-02	5.7L (350cid)	8
	90-95	3.1L D	6
<b>TRANS SPORT</b>	96-99	3.4L E	6
	92-95	3.8L	6
	05-07	1.6L	4

EPDM	SILICON	ELITE	COP	BUJ	DIST
B5993G6	B6993G6	B1993G6		B95	N/A
B5993G6	B6993G6	B1993G6		B95	N/A
B5993G6	B6993G6	B1993G6		B95	N/A
B59379G6	B69379G6	B19379G6		B95	N/A
B59163G6	B69163G6	B19163G6		B95	N/A
B59163G6	B69163G6	B19163G6		B95	N/A
B59258G8	B69258G8	B19258G8		B74 B95	D47
B5837G8	B6837G8	B1837G8		B68	D44
B5954G8	B6954G8	B1954G8		B128	N/A
B5954G8	B6954G8	B1954G8		B128	N/A
B59152G4	B69152G4	B19152G4		B95	D47
B59254G4	B69254G4	B19254G4		B75 B86	D47
B59255G6	B69255G6	B19255G6		B74 B79	N/A
B59152G4	B69152G4	B19152G4		B95	D47
B59255G6	B69255G6	B19255G6		B74 B79	N/A
B59255G6	B69255G6	B19255G6		B74 B79	N/A
B59163G6	B69163G6	B19163G6		B95	N/A
B59255G6	B69255G6	B19255G6		B74 B79	N/A
B59104D4	B69104D4	B19104D4		B248	N/A
B59293G4	B69293G4	B19293G4		B248	N/A
B5952G6	B6952G6	B1952G6		B75	N/A
B59221G6	B69221G6	B19221G6		B129	N/A
	B69394G6	B19394G6		B129	N/A
B59221G6	B69221G6	B19221G6		B129	N/A
B59152G4	B69152G4	B19152G4		B95	D47
B59163G6	B69163G6	B19163G6		B95	N/A
B59255G6	B69255G6	B19255G6		B74 B79	N/A
B59256G6	B69256G6	B19256G6		B74 B79	D47
B5837G8	B6837G8	B1837G8		B68	D44
B5336G4	B6336G4	B1336G4		B86	D47
B5203G4	B6203G4	B1203G4		B68	D41
B59163G6	B69163G6	B19163G6		B95	N/A
B5740G6	B6740G6	B1740G6		B65	D44
B5720G8	B6720G8	B1720G8		B64	N/A
			B6102G4	B505	N/A
B59254G4	B69254G4	B19254G4		B74 B75 B86	D47
B59166G4	B69166G4	B19166G4		B124	N/A
B59152G4	B69152G4	B19152G4		B95	D47
B5828G4	B6828G4	B1828G4		B75	N/A
B5203G4	B6203G4	B1203G4		B68	D41
B5834G6	B6834G6	B1834G6		B75	N/A
B59163G6	B69163G6	B19163G6		B95	N/A
B5740G6	B6740G6	B1740G6		B65	D44
B59176G4	B69176G4	B19176G4		B94	D47
B59175G4	B69175G4	B19175G4		B21	N/A
			B6102G4	B505	N/A
B5929G4	B6929G4	B1929G4		B75	N/A
B5828G4	B6828G4	B1828G4		B75	N/A
			B6108G4	B506	N/A
			B6108G4	B506	N/A
B59127G4	B69127G4	B19127G4		B5	D17
B59221G6	B69221G6	B19221G6		B129	N/A
B5203G4	B6203G4	B1203G4		B68	D41
B5282G4	B6282G4	B1282G4		B75	N/A
B59221G6	B69221G6	B19221G6		B129	N/A
B5829G6	B6829G6	B1829G6		B247	D47
B5850G6	B6850G6	B1850G6		B75	N/A
B5829G6	B6829G6	B1829G6		B247	D47
B59376G8	B69376G8	B19376G8		B128	N/A
B5829G6	B6829G6	B1829G6		B247	D47
B5952G6	B6952G6	B1952G6		B75	N/A
B5726G6	B6726G6	B1726G6		B76	N/A
B59167G4	B69167G4	B19167G4		B132	N/A

\* Este producto se fabrica con forro de PVC

COP: Coil On Plug / Capuchón para Bobina, BUJ: Bujía, DIST: Distribuidor, N/A: No aplica "Las denominaciones y logotipos registrados que se presentan en esta publicación, son propiedad de sus titulares, Cromios SA de CV, no se hace responsable por los cambios de titularidad de los registros de marca a la fecha de la presente publicación, JUNIO 2015"



# SAAB

MODELO / MODEL	AÑO / YEAR	MOTOR / ENGINE	CIL
9-7X	06-09	4.2L S	6
	05-07	5.3L	8



## SATURN

<b>AURA</b>	07-08	3.5L	6
<b>ION</b>	02-06	2.2L F, D 16 VALV ECOTEC	4
	05-06	3.5L 8	6
<b>RELAY</b>	2007	3.9L RELAY-1 y 2	6
	06-07	3.9L RELAY-3	6
	06-07	3.9L 1	6
<b>SERIE L, LW</b>	02-06	2.2L F, D 16 VALV ECOTEC	4
<b>SERIE S</b>	91-02	1.9L 9, 8 SOHC	4
<b>SERIE SC, SL, SW</b>	91-02	1.9L 8 SOHC	4
<b>VUE</b>	02-06	2.2L F, D 16 VALV ECOTEC	4
	08-09	3.5L	6



EPDM	SILICON	ELITE	COP	BUJ	DIST
			B6112G4	B511	N/A
B59219G8	B69219G8			B246	N/A

	B69394G6	B19394G6		B129	N/A
			B6102G4	B505	N/A
B59221G6	B69221G6	B19221G6		B129	N/A
	B69394G6	B19394G6		B129	N/A
	B69394G6	B19394G6		B129	N/A
B59221G6	B69221G6	B19221G6		B129	N/A
			B6102G4	B505	NN
B59150S4	B69150S4			B75	N/A
B59150S4	B69150S4			B75	N/A
			B6102G4	B505	N/A
	B69394G6	B19394G6		B129	N/A

## ACURA, HONDA



### ACURA

<b>CL</b>	97	2.2L F22B1 VTEC SOHC	4
	98-99	2.3L F23A1 VTEC	4
	97-99	3.0L	6
<b>INTEGRA (LS, RS, GS DOHC)</b>	92-01	1.7L, 1.8L 4 CIL ENC. ELECT.	4
	90-01	1.8L B18B1 EXCEP VTECD87	4

B5979HN4	B6979HN4	B1979HN4		B62	N/A
B5979HN4	B6979HN4	B1979HN4		B62	N/A
B5981HN6	B6981HN6	B1981HN6		B62	D62
	B69387HN4	B19387HN4		B62	N/A
B5979HN4	B6979HN4	B1979HN4		B62	N/A



### HONDA

<b>ACCORD</b>	76-78,84	1.6L EFI, 1.6L CANADA	4	
	1985	1.8L ES2	4	
	80-83	1.8L EB1	4	
	87-92	2.0L B20A8, F20A4, B20A2	4	
	86-89	2.0L	4	
	94-97	2.2L VTEC SOHC 16V	4	
	92-97	2.2L	4	
	92-97	2.2L	4	NUEVO
	90-91	2.2L F22A1 16V	4	
	98-02	2.3L 16V VTEC DX, EX, LX, SE	4	
	95-97	2.7L C27A4 24 VALV	6	
	98-99	3.0L J30A1, EX, LX VTEC	4	
1997	3.0L	6	NUEVO	
<b>CIVIC</b>	88-01	1.3L, 1.4L, 1.5L, 1.6L VTEC	4	
	80-83	1.3L EN, EJ1	4	
	92-95	1.5L	4	
	88-95	1.5L D15A2, D15B2	4	
	88-91	1.5L D13B, D15B DOHC 16V	4	
	84-87	1.5L EW1	4	
	80-83	1.5L EM1	4	
	92-95	1.5L SOHC 8V 1.6L SOHC 16V	4	
	86-87	1.5L FUEL INJ EXC WAGON	4	
	1984	1.5L CARB	4	
	95-00	1.6L DX, EX, LX, H, CX, GX	4	
	94-97	1.6L VTEC WAGOVAN	4	
	88-00	1.6L D16A7 SOHC	4	
	88-91	1.6L D16A6	4	
	93-95	1.5L SOHC 8 Y 16 VALV	4	
	94-97	1.6L VTEC	4	
	93-97	1.6L	4	
	<b>CR-V</b>	99-01	2.0L B20Z2, B24B4 EX, LX, SE	4
		97-98	2.0L RD1 20B4, EX, LX	4
1987		1.5L FUEL INJ 1500 SJ	4	
<b>CRX</b>	86-87	1.5L CARBURADO 1500 HF	4	
	92-98	1.6L D16Z6	4	
	95-97	2.2L SOHC F22B6 EX, LX6, LX7 TUBOS CORTOS	4	
<b>ODYSSEY</b>	95-97	2.2L SOHC F22B6 EX, LX6, LX7 TUBOS CORTOS	4	NUEVO
	1998	2.3L EX, LX	4	
<b>PASSPORT</b>	94-96	2.6L DX-4ZE1	4	
	94-96	3.2L 6VD1	6	
	1997	2.0L Body BB (BA)	4	
<b>PRELUDE</b>	1997	2.0L Body BB (BA)	4	
	85-87	2.0L FUEL INJ BT SFI	4	
	92-96	2.2L F22A1 EXCEPTO VTEC	4	
	92-96	2.2L F22A1 EXCEPTO VTEC TUBOS CORTOS	4	NUEVO
	92-95	2.3L	4	
	92-95	2.3L TUBOS CORTOS	4	NUEVO
	1997	2.7L C27A4 (BA)	6	
<b>WAGOVAN</b>	82-83	1.3L EN, EJ1, 1.5L EM1	4	
	88-89	1.5L	4	

B59265HN4	B69265HN4	B19265HN4		B49	D96
B59266HN4	B69266HN4	B19266HN4		B49	D88
B59265HN4	B69265HN4	B19265HN4		B49	D96
B59327HN4	B69327HN4	B19327HN4		B62	N/A
B59117HN4	B69117HN4	B19117HN4		B49	D32 D66
B5979HN4	B6979HN4	B1979HN4		B62	N/A
B5814HN4	B6814HN4	B1814HN4		B153	N/A
	B69416HN4	B19416HN4		B56	D63
B59326HN4	B69326HN4	B19326HN4		B62	N/A
B5979HN4	B6979HN4	B1979HN4		B62	N/A
B59207HN6	B69207HN6	B19207HN6		B56	D64
B5981HN6	B6981HN6	B1981HN6		B62	D62
	B69406HN4	B19406HN6		B44	D62
B59327HN4	B69327HN4	B19327HN4		B62	N/A
B59265HN4	B69265HN4	B19265HN4		B49	D96
B5979HN4	B6979HN4	B1979HN4		B62	N/A
B59320HN4	B69320HN4	B19320HN4		B62	N/A
B59326HN4	B69326HN4	B19326HN4		B62	N/A
B59323HN4	B69323HN4	B19323HN4		B20	D3
B59265HN4	B69265HN4	B19265HN4		B49	D96
B5980HN4	B6980HN4	B1980HN4		B62	N/A
B59182HN4	B69182HN4	B19182HN4		B62	D4
B59182HN4	B69182HN4	B19182HN4		B62	D4
B5979HN4	B6979HN4	B1979HN4		B62	N/A
B59326HN4	B69326HN4	B19326HN4		B62	N/A
B59326HN4	B69326HN4	B19326HN4		B62	N/A
B59321HN4	B69321HN4	B19321HN4		B62	N/A
B5980HN4	B6980HN4	B1980HN4		B62	N/A
B59326HN4	B69326HN4	B19326HN4		B62	N/A
B5979HN4	B6979HN4	B1979HN4		B62	N/A
B5979HN4	B6979HN4	B1979HN4		B62	N/A
B5979HN4	B6979HN4	B1979HN4		B62	N/A
B59182HN4	B69182HN4	B19182HN4		B62	D4
B59182HN4	B69182HN4	B19182HN4		B62	D4
B59327HN4	B69327HN4	B19327HN4		B62	N/A
B5814HN4	B6814HN4	B1814HN4		B153	N/A
	B69416HN4	B19416HN4		B56	D63
B5979HN4	B6979HN4	B1979HN4		B62	N/A
B5761F4	B6761F4	B1761F4		B3	D1
B59140I6	B69140I6	B19140I6		B81	N/A
B59265HN4	B69265HN4	B19265HN4		B49	D96
B59118HN4	B69118HN4	B19118HN4		B56	D63
B59117HN4	B69117HN4	B19117HN4		B49	D32 D66
B5814HN4	B6814HN4	B1814HN4		B153	N/A
	B69416HN4	B19416HN4		B56	D63
B5814HN4	B6814HN4	B1814HN4		B153	N/A
	B69416HN4	B19416HN4		B56	D63
B59207HN6	B69207HN6	B19207HN6		B56	D64
B59265HN4	B69265HN4	B19265HN4		B49	D96
B59326HN4	B69326HN4	B19326HN4		B62	N/A

\*Importante: La informacion indicada en esta publicacion, ha sido obtenida por fuentes confiables y oficiales, consideramos que es correcto, sin embargo no asumimos ninguna responsabilidad por errores, cambios, omisiones o datos que resulten de estos.



\* Este producto se fabrica con forro de PVC

COP: Coil On Plug / Capuchón para Bobina, BUJ: Bujía, DIST: Distribuidor, N/A: No aplica. "Las denominaciones y logotipos registrados que se presentan en esta publicación, son propiedad de sus titulares, Cromios SA de CV, no se hace responsable por los cambios de titularidad de los registros de marca a la fecha de la presente publicación, JUNIO 2015"





\*Importante: La información indicada en esta publicación, ha sido obtenida por fuentes confiables y oficiales, consideramos que es correcta, sin embargo no asumimos ninguna responsabilidad por errores, cambios, omisiones o daños que resultaran de estos.

MODELO / MODEL	AÑO / YEAR	MOTOR / ENGINE	CIL
<b>ACCENT</b>	95-99	1.3L (CHILE) 5 Cables	4
	99-06	1.5L SOHC	4
	96-00	1.5L G4FK DOHC	4
	95-01	1.5L N, G4EK SOHC	4
	1994	1.5L (CHILE) 5 Cables	4
	07-08	1.6L	4
	00-07	1.6L 1.6L G4ED	4
98-00	1.6L	4	
<b>ATOS</b>	00-12	1.0L, 1.1L	4
<b>ATTITUDE</b>	07-08	1.4L	4
<b>CLX</b>	86-89,92	1.5L F. I.	4
<b>ELANTRA</b>	92-95	1.6L R (92-95), 1.8L M (93-95)	4
	96-98	1.8L M G4CN (1996 G)(Exp)	4
	96-98	2.0L F G4CP (1997 G)(Exp)	4
<b>EXCEL</b>	90-94	1.5L J FUEL INJECTION	4
	86-89,92	1.5L F. I.	4
<b>GALLOPER</b>	86-89	1.5L J G4AJ	4
<b>GETZ</b>	98-02	3.0L G6AT30	6
<b>H 100</b>	01-02	1.6L	4
<b>H 100</b>	04-12	2.4L (GASOLINA) MEXICO	4
	93-98	2.4L (GASOLINA)	4
<b>H1000</b>	08-10	2.4L	4
<b>PONY</b>	84-85	(CANADA) 1.4L, 1.6L	4
<b>SANTA FE</b>	00-04	2.0L, 2.4L G4BP, G4CS DOHC	4
<b>SANTAMO</b>	99-03	2.0L G4CP DOHC, 2 Cables	4
<b>SCOUPE</b>	93-95	1.5L N, A TURBO	4
	92-95	1.5L J, N	4
	92-98	2.0L F, S, G4CP, GL	4
<b>SONATA</b>	01-03	2.4L 16 VALV DOHC F.I. (Exp)	4
	89-91	2.4L S, SOHC, GL, GLS	4
	99-01	2.5L DOHC Fuel Inj 2500VG	6
	90-93	3.0L G6AT30	6
<b>STELLAR</b>	1987	2.0L F CARB	4
	85-86	(CANADA) 1.4L, 1.6L	4
<b>TIBURON</b>	1997	1.8L M DOHC	4
	97-06	2.0L F G4CP - G46P	4
<b>TUCSON</b>	05-06	2.0L	4
	05-08	2.7L G6BA	4
<b>VERNA</b>	04-06	1.5L, 1.6L	4
	04-08	1.6L DOHC	4

EPDM	SILICON	ELITE	COP	BUJ	DIST
B59215HY4	B69215HY4	B19215HY4		B51	N/A
B59102HY4	B69102HY4	B19102HY4		B51	N/A
B59295HY4	B69295HY4	B19295HY4		B192	N/A
B5774HY4	B6774HY4	B1774HY4		B154	N/A
B59216HY4	B69216HY4	B19216HY4		B154	D83
B59304C4	B69304C4	B19304C4		B159	N/A
B59283HY4	B69283HY4	B19283HY4		B192	N/A
B59203K4	B69203K4	B19203K4		B249	N/A
B5779HY4	B6779HY4	B1779HY4		B51	N/A
B59304C4	B69304C4	B19304C4		B159	N/A
B59266HN4	B69266HN4	B19266HN4		B46	D89
B5781M4	B6781M4	B1781M4		B31	N/A
B59279HY4	B69279HY4	B19279HY4		B62	N/A
B59279HY4	B69279HY4	B19279HY4		B62	N/A
B5849C4	B6849C4	B1849C4		B49	D32 D33
B59266HN4	B69266HN4	B19266HN4		B46	D89
B5817M4	B6817M4	B1817M4		B18	D3
B59322HY6	B69322HY6	B19322HY6		B154	D91
B59203K4	B69203K4	B19203K4		B249	N/A
B5778HY4	B6778HY4	B1778HY4		B49	D32
B5805HY4	B6805HY4	B1805HY4		B49	D32
	B69355HY4 (5mm)			B203	N/A
B59265HN4	B69265HN4	B19265HN4		B49	D96
B59300HY4	B69300HY4	B19300HY4		B197	N/A
B59300HY4	B69300HY4	B19300HY4		B197	N/A
B5774HY4	B6774HY4			B154	N/A
B5771HY4	B6771HY4			B154	D36
B5781M4	B6781M4	B1781M4		B31	N/A
B59300HY4	B69300HY4	B19300HY4		B197	N/A
B5849C4	B6849C4	B1849C4		B49	D32 D33
B59301HY6	B69301HY6	B19301HY6		B62	N/A
B59322HY6	B69322HY6	B19322HY6		B154	D91
B5849C4	B6849C4	B1849C4		B49	D32 D33
B59265HN4	B69265HN4	B19265HN4		B49	D96
B59279HY4	B69279HY4	B19279HY4		B62	N/A
B59279HY4	B69279HY4	B19279HY4		B62	N/A
B59279HY4	B69279HY4	B19279HY4		B62	N/A
B59285HY4	B69285HY4	B19285HY4		B192	N/A
B59102HY4	B69102HY4	B19102HY4		B51	N/A
B59304C4	B69304C4	B19304C4		B159	N/A

## INTERNACIONAL

<b>CAMION</b>	80-90	354cid (GAS)	8
---------------	-------	--------------	---



<b>AMIGO</b>	98-00	2.2L D, X22SE	4
	89-94	2.3L, 2.6L	4
<b>ASCENDER</b>	06-08	4.2L S	6
	98-00	2.2L L, 4	4
<b>HOMBRE</b>	96-97	2.2L 4	4
	98-00	4.3L X, W	6
	96-97	4.3L W	6
<b>i-370</b>	07-08	1.5 3.7L E, 7	5
	87-89	1.5L 9 TURBO	4
<b>I-MARK</b>	85-89	1.5L 7, EXCEPTO TURBO	4
	81-85	1.8L B	4
	83-87	1.9L, 2.0L A-G200Z S/TURBO	4
<b>IMPULSE</b>	85-89	2.0L F, 4CZI LR9 TURBO	4
	88-89	2.3L	4
	89-98	2.3L 4ZDI MONOPUNTO	4
<b>LUV CHILENA</b>	72-82	1.8L	4
	72-82	1.8L, CABLE BOBINA CORTO	4
	72-82	1.8L, CABLE BOBINA LARGO	4
	96-97	2.2L 4	4
<b>OASIS</b>	96-97	2.2L 4 TUBOS CORTOS	4
	98-99	2.3L F23A7	4
	81-82	1.8L G180Z	4
<b>PICK UP</b>	83-87	1.9L G200 - 4CZI	4
	1989	2.3L CON TURBO	4
	86-95	2.3L SIN TURBO	4
	88-95	2.6L E	4
	91-94	3.1L Z	6

NUEVO

B5210I8			B15	D21
---------	--	--	-----	-----

B59188I4	B69188I4	B19188I4		B33	N/A
B5761F4	B6761F4	B1761F4		B3	D1
			B6112G4	B511	N/A
B59159G4	B69159G4	B19159G4		B75	N/A
B5828G4	B6828G4	B1828G4		B75	N/A
B5971G6	B6971G6	B1971G6		B123 B126	D53 D84
B5941G6	B6941G6	B1941G6		B123 B126	D53 D84
			B6112G4	B511	N/A
B59176G4	B69176G4	B19176G4		B94	D47
B59175G4	B69175G4	B19175G4		B21	N/A
B5713G4	B6713G4	B1713G4		B15	D28
B5713G4	B6713G4	B1713G4		B15	D28
B5761F4	B6761F4	B1761F4		B3	D1
B5761F4	B6761F4	B1761F4		B3	D1
B5772I4	B6772I4			B3	D60
B5713G4	B6713G4	B1713G4		B15	D28
B5801I4				B15	D27
B5800I4				B15	D27
B5814HN4	B6814HN4	B1814HN4		B153	N/A
	B69416HN4	B19416HN4		B56	D63
B5979HN4	B6979HN4	B1979HN4		B62	N/A
B5713G4	B6713G4	B1713G4		B15	D28
B5713G4	B6713G4	B1713G4		B15	D28
B59176G4	B69176G4	B19176G4		B94	D47
B5761F4	B6761F4	B1761F4		B3	D1
B5761F4	B6761F4	B1761F4		B3	D1
B5829G6	B6829G6	B1829G6		B247	D47

\* Este producto se fabrica con forro de PVC

COP: Coil On Plug / Capuchón para Bobina, BUJ: Bujía, DIST: Distribuidor, N/A: No aplica "Las denominaciones y logotipos registrados que se presentan en esta publicación, son propiedad de sus titulares, Cromios SA de CV, no se hace responsable por los cambios de titularidad de los registros de marca a la fecha de la presente publicación, JUNIO 2015"



MODELO / MODEL	AÑO / YEAR	MOTOR / ENGINE	CIL
<b>RODEO / RODEO SPORT</b>	98-03	2.2L X225E SPORT	4
	91-97	2.6L E	4
	91-92	3.1L Z	6
	93-98	3.2L V (6VD1)	6
<b>STYLUS</b>	91-93	1.6L 6 SOHC	4
<b>TROOPER</b>	84-85	1.9L G200Z	4
	86-88	2.3L	4
	88-91	2.6L E	4
	89-91	2.8L R	6
<b>W4</b>	93-95	5.7L	8

**KIA**  
KIA MOTORS

<b>AVELLA</b>	90-96	1.3L SOHC (Export)	4
	94-98	1.5L (CHILE) 5 CABLES	4
<b>CERATO</b>	04-06	1.6L	4
<b>ELA</b>	00-02	1.8L 16V	4
	96-99	2.0L DOHC	4
<b>MORNING</b>	04-06	1.5L	4
<b>POP</b>	93-97	1.6L I, B6E	4
<b>PRIDE</b>	86-92	1.3L CARB SOHC (Export)	4
	00-05	1.3L	4
<b>RIO</b>	00-02	1.3L KOAB7, KZ301	4
	01-05	1.5L DOHC 16V, 1.6L	4
	00-02	2.0L 3, 3FE (2 CABLES)	4
<b>SEPHIA</b>	93-97	1.6L I, B6E	4
	94-96	1.6L SOHC (Export)	4
	95-97	1.8L 16V DOHC (2 CABLES)	4
<b>SPECTRA</b>	00-05	1.5L DOHC	4
	00-02	2.0L 3, 3FE (2 CABLES)	4
<b>SPORTAGE</b>	1998	2.0L 3, 2.0L 3FE (2 CABLES)	4
	95-97	2.0L 3, 2, 1 FE (2 CABLES)	4
	95-97	2.0L SOHC FE	4
	94-01	2.0L OK01R (2 CABLES)	4
	05-08	2.7L G68A (Exportacion)	4
<b>TOWNER</b>	94-98	800cc Motor C.D.	3

**LAND ROVER**

<b>DEFENDER</b>	98-00	3.9L 31G 110 V8	8
<b>DISCOVERY</b>	89-02	3.5L 4.5L 22D, 3.5L 56D	8
<b>RANGER ROVER</b>	85-95	3.5L, 4.5L 23G, 35D, 36D	8
	94-98	4.6L 48D	8

**MAZDA**

<b>323</b>	90-94	1.6L B6	4
	88-89	1.6L B6 Turbo, S/Turbo (86-89)	4
	88-89	1.6L B6 TURBO	4
<b>618</b>	1972	1.8L	4
	83-87	2.0L FE RF	4
<b>626</b>	83-87	2.0L FE RF	4
	88-92	2.2L F2 FE2 Turbo, S/Turbo	4
	88-92	2.2L F2 FE2 TURBO	4
<b>808</b>	72-74	1.6L	4
<b>929</b>	88-91	3.0L Fuel Injection SOHC	6
	88-91	3.0L F. Inj. SOHC (2 Cab. Bob)	6
<b>B1600</b>	72-76	1.6L 2bbl	4
<b>B1800</b>	77-78	1.8L, 2.0L	4
<b>B2000 PICK UP</b>	86-87	2.0L 2bbl	4
<b>B2200 PICK UP</b>	87-93	2.2L 2bbl, 2.2L F.I. cap Dist grande	4
	87-93	2.2L 2bbl, 2.2L Fuel Inj.	4
<b>B2600 PICK UP</b>	90-93	2.6L Fuel Injection	4
<b>DEMIO</b>	99-03	1.5L B5E1, B5E2	4
<b>GLC</b>	81-85	1.5L UC E5 D5 HATCHBACK	4
<b>MAZDA 3</b>	04-07	2.0L, 2.3L	4
<b>MAZDA 6</b>	03-06	3.0L (182cid)	6
<b>MIATA</b>	90-93	1.6L FI 16V DOHC	4
	94-00	1.8L FI 16V DOHC BPZE	4
<b>MONTACARGAS</b>	95-00	4 CILINDROS FZ/FE	4
	95-00	4 Cilindros cables cortos	4

EPDM	SILICON	ELITE	COP	BUJ	DIST
B59188I4	B69188I4	B19188I4		B33	N/A
B5761F4	B6761F4	B1761F4		B3	D1
B5829G6	B6829G6	B1829G6		B247	D47
B59140I6	B69140I6	B19140I6		B81	N/A
B59176G4	B69176G4	B19176G4		B94	D47
B5713G4	B6713G4	B1713G4		B15	D28
B5761F4	B6761F4	B1761F4		B3	D1
B5761F4	B6761F4	B1761F4		B3	D1
B5829G6	B6829G6	B1829G6		B247	D47
B5544G8	B6544G8	B1544G8		B63	D41

B59296K4	B69296K4	B19296K4		B46	D32
B576K4	B676K4	B176K4		B46	D61
B59203K4	B69203K4	B19203K4		B249	N/A
B59203K4	B69203K4	B19203K4		B249	N/A
B59205K4	B69205K4	B19205K4		B159	N/A
B59204K4	B69204K4			B24	D40
B5775K4	B6775K4	B1775K4		B46	D57
B59296K4	B69296K4	B19296K4		B46	D32
B59302K4	B69302K4	B19302K4		B159	N/A
B59213K4	B69213K4			B147	N/A
B59318K4	B69318K4	B19318K4		B153	N/A
B59206K4	B6775K4			B34 B35	N/A
B5775K4	B1951	B1775K4		B46	D57
B59296K4	B69296K4	B19296K4		B46	D32
B59367K4	B69367K4	B19367K4		B225	N/A
B59302K4	B69302K4	B19302K4		B159	N/A
B59206K4	B69206K4			B34 B35	N/A
B59206K4	B69206K4			B34 B35	N/A
B59206K4	B69206K4			B34 B35	N/A
B59187K4	B69187K4			B46	N/A
B59328K4	B69328K4	B19328K4		B202	N/A
B59285HY6	B69285HY6	B19285HY6		B192	N/A
B59287AS3	B69287AS3	B19287AS3		B5 B18	D18

B59331LR8	B69331LR8	B19331LR8		B204 B205	N/A
B59329LR8	B69329LR8	B19329LR8		B155 B196	D36
B59329LR8	B69329LR8	B19329LR8		B155 B196	D36
B59330LR8	B69330LR8	B19330LR8		B214	N/A

B5793MZ4	B6793MZ4	B1793MZ4		B43	D57
B5759MZ4	B6759MZ4	B1759MZ4		B21	D57
B5948F4	B6948F4	B1948F4		B54	D26
B5759MZ4	B6759MZ4	B1759MZ4		B21	D57
B5818MZ4	B6818MZ4	B1818MZ4		B15	D21
B5758MZ4	B6758MZ4	B1758MZ4		B47	D38
B5818MZ4	B6818MZ4	B1818MZ4		B15	D21
B5758MZ4	B6758MZ4	B1718MZ4		B47	D38
B5233N4	B6233N4	B1233N4		B42	D47
B59233MZ6				B5 B21	D1
B59267MZ6	B69267MZ6	B19267MZ6		B5 B46	D18 D32
B5816MZ4	B6816MZ4	B1816MZ4		B15	D3
B5816MZ4	B6816MZ4	B1816MZ4		B15	D3
B5758MZ4	B6758MZ4	B1758MZ4		B47	D38
B5832MZ4	B6832MZ4	B1832MZ4		B19	D28
B5758MZ4	B6758MZ4	B1758MZ4		B47	D38
B5758MZ4	B6758MZ4	B1758MZ4		B47	D38
B59332MZ4	B69332MZ4	B19332MZ4		B18	N/A
B5759MZ4	B6759MZ4	B1759MZ4		B21	D57
			B6113F4	B510	N/A
			B6106F6	B504	N/A
B59271MZ4	B69271MZ4	B19271MZ4		B54	N/A
B59271MZ4	B69271MZ4	B19271MZ4		B54	N/A
B5900M4	B6900M4			B15	D21
B59353MZ4	B69353MZ4			B15	D21

\*Importante: La información indicada en esta publicación, ha sido obtenida por fuentes confiables y oficiales, consideramos que es correcta, sin embargo no asumimos ninguna responsabilidad por errores, cambios, omisiones o datos que resulten de estos.





\*Importante: La información indicada en esta publicación, ha sido obtenida por fuentes confiables y oficiales, consideramos que es correcta, sin embargo no asumimos ninguna responsabilidad por errores, cambios, omisiones o daños que resultaran de estos.

MODELO / MODEL	AÑO / YEAR	MOTOR / ENGINE	CIL	
<b>MPV</b>	2001	2.5L DE 10-17-01	6	
	00-01	2.5L HASTA 10-17-01	6	
	89-95	2.6L G6	4	
	02-06	3.0L (182cid)	6	
	96-98	3.0L (U) SOHC	6	
	89-95	3.0L F. Inj.SOHC (2 Cab.Bob)	6	
<b>MX3</b>	94-95	1.6L SOHC B6	4	
	92-93	1.6L SOHC B6	4	
<b>MX6</b>	88-92	2.2L FE2 F2 Turbo, 2.2L S/Turbo	4	
<b>NAVAJO</b>	91-94	4.0L X	6	
	86-87	2.0L B2000 FE	4	
	87-93	2.2L B2200 F2, GE2	4	
	01-07	2.3L B2300	4	
	94-97	2.3L A B2300	4	
	85-93	2.3L DUAL PLUG B2300	4	
	98-01	2.5L C, B2500	4	
	89-93	2.6L B2600-B2600i G6	4	
	87-89	2.6L B2600 G6	4	
	01-02	3.0L U B3000	6	
	98-00	3.0L U B3000	6	
	95-97	3.0L U B3000	6	
	1994	3.0L U B3000	6	
	1-Jul	4.0L E B4000	6	
	94-99	4.0L 244cid B4000	6	
	<b>PROTEGE</b>	95-98	1.5L SOHC - DOHC	4
		90-98	1.8L DOHC	4
90-95		1.8L SOHC	4	
<b>RX7 ROTARY ENG 2 CIL</b>	86-91	1.3L 13BEGI C/S/TURBO	2	
	93-95	1.3L RE13B	2	
<b>TRIBUTE</b>	01-04	2.0L	4	
	05-06	2.3L	4	
	01-06	3.0L 1 (182cid)	6	



## MINI

<b>MINI COOPER</b>	02-06	1.6L COOPER	4
	02-06	1.6L COOPER SUPERCARGADO	4



## MITSUBISHI

<b>3000GT</b>	93-99	3.0L 24V DOHC 6G72 (J)	6
	91-92	3.0L 24V DOHC 6G72 (B)	6
	93-99	3.0L 24V DOHC 6G72 Twin turbo(K)	6
	91-97	3.0L GT VR4	6
	91-92	3.0L 24V DOHC 6G72 Twin turbo(C)	6
<b>CARISMA</b>	95-00	1.6L 4G92	4
	95-97	1.8L 4G93	4
<b>CAMIONETAS</b>	78-89	2.6L (2 Cab p/bobina)	4
	89-94	3.9L X	6
<b>CHARIOT</b>	91-93	1.8L 4G93	4
	83-91	2.0L 4G63 DOHC TURBO	4
<b>COLT</b>	92-03	1.6L 4G92	4
	88-91	1.6L Gti 4G61 DOHC	4
<b>CORDIA</b>	82-85	1.6L 4G32	4
	84-88	1.8L G62B	4
	1983	1.8L G62B	4
	84-88	2.0L	4
<b>DIAMANTE</b>	93-99	3.0L 24V DOHC 6G72 (J)	6
	91-96	3.0L V6 SOHC	6
	91-92	3.0L 24V DOHC 6G72 (B)	6
<b>ECLIPSE</b>	00-01	2.0L (2 CABLES)	4
	97-00	2.0L (2 CABLES)	4
	95-99	2.0L F, 4G63T TURBO DOHC	4
	95-99	2.0LYA 588 S/TURBO GS, RS DOHC	4
	90-94	2.0L 4G63 TURBO AWD	4
	00-04	2.4L SPYDER 2 CABLES	4
	89-00	2.0L TURBO 4G63 DOHC	4
	96-99	2.4L G 4G64 SOHC SPYDER GS	4
	00-05	3.0L H, F G672 SOHC SPYDER	6

EPDM	SILICON	ELITE	COP	BUJ	DIST
B59125F6	B69125F6	B19125F6		B108	N/A
B59106F6	B69106F6	B19106F6		B109	N/A
B5817MZ4	B6817MZ4	B1817MZ4		B18	D3
			B6106F6	B504	N/A
B59232MZ6	B69232MZ6	B19232MZ6		B15	N/A
B59267MZ6	B69267MZ6	B19267MZ6		B5 B46	D18 D32
B59233MZ6				B5 B21	D1
B5909MZ4	B6909MZ4	B1909MZ4		B54	N/A
B5793MZ4	B6793MZ4	B1793MZ4		B43	D57
B5818MZ4	B6818MZ4	B1818MZ4		B15	D21
B5836F6	B6836F6	B1836F6		B137	N/A
B5818MZ4	B6818MZ4	B1818MZ4		B15	D21
B5818MZ4	B6818MZ4	B1818MZ4		B15	D21
B59135F4	B69135F4	B19135F4		B208	N/A
B5815F8	B6815F8	B1815F8		B139 B140	N/A
B59378F4	B69378F4	B19378F4		B139 B140	N/A
B5815F8	B6815F8	B1815F8		B139 B140	N/A
B5817MZ4	B6817MZ4	B1817MZ4		B18	D3
B5817MZ4	B6817MZ4	B1817MZ4		B18	D3
B59112F6	B69112F6	B19112F6		B119	N/A
B5974F6	B6974F6	B1974F6		B142	N/A
B5734F6	B6734F6	B1734F6		B137	D47
B5827F6	B6827F6	B1827F6		B86 B87	D47
B59132F6	B69132F6	B19132F6		B141	N/A
B5836F6	B6836F6	B1836F6		B137	N/A
B5794MZ4	B6794MZ4	B1794MZ4		B157	N/A
B5909MZ4	B6909MZ4	B1909MZ4		B54	N/A
B5793MZ4	B6793MZ4	B1793MZ4		B43	D57
B59183MZ4	B69183MZ4	B19183MZ4		B23	N/A
B59184MZ4	B69184MZ4	B19184MZ4		B23 B250	N/A
B5913F4	B6913F4	B1913F4		B113	N/A
			B6113F4	B510	N/A
			B6106F6	B504	N/A

	B69142MC4	B19142MC4		B82	N/A
	B69142MC4	B19142MC4		B82	N/A

B59269C6	B69269C6	B19269C6		B206	N/A
B59269C6	B69269C6	B19269C6		B206	N/A
B59269C6	B69269C6	B19269C6		B206	N/A
B59366M16	B69366M16	B19366M16		B49	D57
B59269C6	B69269C6	B19269C6		B206	N/A
B59337M14	B69337M14	B19337M14		B56	N/A
B59337M14	B69337M14	B19337M14		B56	N/A
B5753C4	B6753C4	B1753C4		B3	D1
B5820C6	B6820C6	B1820C6		B15	D3
B59337M14	B69337M14	B19337M14		B56	N/A
B59338M14	B69338M14	B19338M14		B207	N/A
B59337M14	B69337M14	B19337M14		B56	N/A
B59336M14	B69336M14	B19336M14		B31	N/A
B59333M14	B69333M14	B19333M14		B49	D33
B5824C4	B6824C4	B1824C4		B43	D4
B5713G4	B6713G4	B1713G4		B15	D28
B5713G4	B6713G4	B1713G4		B15	D28
B59269C6	B69269C6	B19269C6		B206	N/A
B59366M16	B69366M16	B19366M16		B49	D57
B59269C6	B69269C6	B19269C6		B206	N/A
	B69372M14 5mm			B197	N/A
	B69372M14 5mm			B197	N/A
B59180M14	B69180M14	B19180M14		B31	N/A
B5333C4	B6333C4	B1333C4		B85	N/A
B5781M4	B6781M4	B1781M4		B31	N/A
	B69372M14 5mm			B229	N/A
B59336M14	B69336M14	B19336M14		B31	N/A
	B69128M4			B177	N/A
B5825C6	B6825C6	B1825C6		B57	N/A

\* Este producto se fabrica con forro de PVC

COP: Coil On Plug / Capuchón para Bobina, BUJ: Bujía, DIST: Distribuidor, N/A: No aplica "Las denominaciones y logotipos registrados que se presentan en esta publicación, son propiedad de sus titulares, Cromios SA de CV, no se hace responsable por los cambios de titularidad de los registros de marca a la fecha de la presente publicación, JUNIO 2015"



# MITSUBISHI



MODELO / MODEL	AÑO / YEAR	MOTOR / ENGINE	CIL
<b>EXPO</b>	92-94	1.8L 4G93 LRV	4
	93-95	2.4L 4G64 AWD - LRV	4
	1992	2.4L 4G64	4
	79-82	1.6L (1600cc)	4
<b>GALANT</b>	77-80	1.6L 4G32	4
	1993	2.0L 4G63	4
	89-93	2.0L 4G63 DOHC	4
	89-92	2.0L 4G63 SOHC	4
	87-92	2.0L 4G63, 2.0L Gti DOHC	4
	99-00	2.4L SOHC (2 CABLES)	4
	94-98	2.4L G, 4G64 SOHC	4
	1994	2.4L, 4G64 DOHC GS	4
	86-87	2.4L 2350cc	4
	85-87	2.4L, G64B	4
	99-03	3.0L L, H	6
<b>L200</b>	96-01	2.0L 4G63, 2.4L 4G64	4
	89-92	2.6L G54B	4
<b>L300</b>	80-94	1.6L 4G32	4
	85-98	2.0L 4G63	4
	88-94	2.4L 4G64	4
<b>LANCER</b>	79-84	1.2L, 1.4L 4G11, 4G12 (Exportación)	4
	88-90	1.6L Gti 4G61	4
	79-84	1.6L 4G32	4
	90-93	1.8L Gti 4G67 DOHC	4
	02-04	2.0L 2 CABLES	4
	87-89	2.0L G63B PICK UP	4
<b>MIGHTY MAX PICK UP</b>	85-86	2.0L 1997cc	4
	83-86	2.0L G63B	4
	90-96	2.4L, 4G64	4
	87-89	2.6L G54B	4
	90-94	3.0L	6
<b>MIRAGE</b>	93-02	1.5L A, 4G15	4
	89-90	1.5L AL 4/90	4
	85-88	1.5L G15B	4
	91-92	1.6L 4G61	4
	1990	1.6L G32B TURBO	4
	85-88	1.6L G32B	4
	97-00	2.4L SOHC (2 CABLES)	4
93-96	1.8L 4G93	4	
<b>MONTACARGAS</b>	95-00	Motor 4 cilindros	4
	83-89	2.6L G54B	4
<b>MONTERO</b>	83-84	2.6L 2555cc	4
	97-03	3.0L DOHC	6
	95-96	3.0L H 2972cc 24V SOHC (LS)	6
	95-96	3.0L	6
	89-94	3.0L SOHC 12V	6
	89-94	3.0L H 6672 SR	6
	03-06	3.8L	6
<b>MONTERO SPORT</b>	89-97	3.0L SOHC	6
	97-01	3.5L DOHC	6
<b>OUTLANDER</b>	03-04	2.0L, 2.4L 2 CABLES	4
<b>PAJERO</b>	83-91	2.6L 4G64	4
	83-86	2.0L 1997cc	4
<b>PICK UP</b>	83-86	2.6L 2555cc	4
	90-95	3.0L (183 cid)	6
	90-91	1.5L 4GAJ	4
<b>PRECIS</b>	87-89	1.5L GADJ	4
	87-89	1.5L 4GAJ G15B	4
	87-89	2.5L ENC ELECTRONICO	4
<b>RVR</b>	91-99	1.8L 4G93	4
	94-98	2.0L 4G63 DOHC TURBO	4
<b>SAPORO</b>	79-84	1.6L 4G32	4
<b>SHOGUN</b>	78-83	2.6L 2555cc	4
	84-91	2.6L 4G54	4
<b>SPACE</b>	91-99	1.8L 4GP3	4
	92-03	2.0L 4G63 DOHC	4
	86-88	2.0L G63B, 4G63	4
	94-00	2.4L 4G64	4
<b>STARION</b>	88-89	2.6L G54B	4
	85-89	2.6L 2555cc TURBO	4
	83-88	2.6L G54B	4
	83-84	2.6L 2555cc TURBO	4
<b>TREDIA</b>	84-88	1.8L G62B TURBO	4
	1983	1.8L G62B	4
	83-88	2.0L, 2.0L G63B	4
<b>VAN WAGON</b>	87-90	2.4L G64B	4

EPDM	SILICON	ELITE	COP	BUJ	DIST
B59120M4	B69120M4	B19120M4		B56	N/A
B59120M4	B69120M4	B19120M4		B56	N/A
B5849C4	B6849C4	B1849C4		B49	D32 D33
B5755M4	B6755M4	B1755M4		B46	D32
B59333M14	B69333M14	B19333M14		B49	D33
B59120M4	B69120M4	B19120M4		B56	N/A
B5781M4	B6781M4	B1781M4		B31	N/A
B5849C4	B6849C4	B1849C4		B49	D32 D33
B59336M14	B69336M14	B19336M14		B31	N/A
	B69372M14 5mm			B229	N/A
B59120M4	B69120M4	B19120M4		B56	N/A
B59180M14	B69180M14	B19180M14		B31	N/A
B5849C4	B6849C4	B1849C4		B49	D32 D33
B5824C4	B6824C4	B1824C4		B43	D4
B5825C6	B6825C6	B1825C6		B57	N/A
B59334M14	B69334M14	B19334M14		B206	D4
B59335M14	B69335M14	B19335M14		B46	D1
B59333M14	B69333M14	B19333M14		B49	D33
B59333M14	B69333M14	B19333M14		B49	D33
B59333M14	B69333M14	B19333M14		B49	D33
B5930M4	B6930M4			B43	D4
B59336M14	B69336M14	B19336M14		B31	N/A
B59333M14	B69333M14	B19333M14		B49	D33
B59336M14	B69336M14	B19336M14		B31	N/A
	B69372M14 5mm			B229	N/A
B59179M14	B69179M14	B19179M14		B24	N/A
B5857C4	B6857C4	B1857C4		B46	D34
B5817M24	B6817M24	B1817M24		B18	D3
B5857C4	B6857C4	B1857C4		B46	D34
B59179M14	B69179M14	B19179M14		B24	N/A
B59121M16	B69121M16	B19121M16		B46	D37
B59209M4	B69209M4	B19209M4		B45	N/A
B5849C4	B6849C4	B1849C4		B49	D32 D33
B5713G4	B6713G4	B1713G4		B15	D28
B5781M4	B6781M4	B1781M4		B31	N/A
B5781M4	B6781M4	B1781M4		B31	N/A
B5824C4	B6824C4	B1824C4		B43	D4
	B69372M14 5mm			B229	N/A
B59120M4	B69120M4	B19120M4		B56	N/A
B5901M4	B6901M4			B15	D21
B5824C4	B6824C4	B1824C4		B43	D4
B5857C4	B6857C4	B1857C4		B46	D34
	B69141M6			B177	N/A
B59122M16	B69122M16	B19122M16		B30 B56	N/A
B5825C6	B6825C6	B1825C6		B57	N/A
B5821C6	B6821C6	B1821C6		B49	D5
B59121M16	B69121M16	B19121M16		B46	D37
	B69397M16	B19397M16		B234	N/A
B59121M16	B69121M16	B19121M16		B46	D37
	B69141M6			B177	N/A
	B69372M14 5mm			B229	N/A
B59335M14	B69335M14	B19335M14		B46	D1
B5857C4	B6857C4	B1857C4		B46	D34
B5857C4	B6857C4	B1857C4		B46	D34
B5821C6	B6821C6	B1821C6		B49	D5
B5824C4	B6824C4	B1824C4		B43	D4
B59268HY4	B69268HY4	B19268HY4		B46	D89
B5817M24	B6817M24	B1817M24		B18	D3
B59382M14	B69382M14	B19382M14		B18	D3
B59337M14	B69337M14	B19337M14		B56	N/A
B59338M14	B69338M14	B19338M14		B207	N/A
B59333M14	B69333M14	B19333M14		B49	D33
B5857C4	B6857C4	B1857C4		B46	D34
B59335M14	B69335M14	B19335M14		B46	D1
B59337M14	B69337M14	B19337M14		B56	N/A
B59337M14	B69337M14	B19337M14		B56	N/A
B59334M14	B69334M14	B19334M14		B206	D4
B59334M14	B69334M14	B19334M14		B206	D4
B5817M24	B6817M24	B1817M24		B18	D3
B5849C4	B6849C4	B1849C4		B49	D32 D33
B5824C4	B6824C4	B1824C4		B43	D4
B5857C4	B6857C4	B1857C4		B46	D34
B5824C4	B6824C4	B1824C4		B43	D4
B5713G4	B6713G4	B1713G4		B15	D28
B5713G4	B6713G4	B1713G4		B15	D28
B5771HY4	B6771HY4			B154	D36

\*Importante: La información indicada en esta publicación, ha sido obtenida por fuentes confiables y oficiales, consideramos que es correcta, sin embargo no asumimos ninguna responsabilidad por errores, cambios, omisiones o datos que resulten de estos.



\* Este producto se fabrica con forro de PVC

COP: Coil On Plug / Capuchón para Bobina, BUJ: Bujía, DIST: Distribuidor, N/A: No aplica "Las denominaciones y logotipos registrados que se presentan en esta publicación, son propiedad de sus titulares, Cronios SA de CV, no se hace responsable por los cambios de titularidad de los registros de marca a la fecha de la presente publicación, JUNIO 2015"



MODELO / MODEL	AÑO / YEAR	MOTOR / ENGINE	CIL
----------------	------------	----------------	-----

EPDM	SILICON	ELITE	COP	BUJ	DIST
------	---------	-------	-----	-----	------

## INFINITY, NISSAN



<b>G20</b>	90-02	2.0L C, 2.0L SR20DE-SUM, YAZ	4
<b>QX4</b>	97-00	3.3L, 3.3L A VG33E	6

B5530N4	B6530N4	B1530N4	B44	D59
B59115N6	B69115N6	B19115N6	B59 B61	N/A

## NISSAN

<b>200SX</b>	95-00	1.6L GA16DE 200 SX-SE	4	
	95-97	1.6L GA16DE	4	
	84-88	1.8L CA18ET TURBO 200SX	4	
	95-00	2.0L SR20DE 200SX	4	
	84-88	2.0L CA20E 200SX 10cables	4	
	79-81	2.0L Z20E CANADA EXC. CALIF	4	
<b>240SX</b>	77-78	2.0L 200SX	4	
	89-90	2.4L KA24E 240SX-SE, Z241	4	
	<b>240Z</b>	70-74	2.4L L24E 240Z	6
	<b>260Z</b>	1974	2.6L L26 260Z	6
	<b>280Z</b>	75-83	2.8L L28E ZX, Z	6
	<b>310</b>	1982	1.5L E15, 310, GX	4
<b>510</b>	68-73	1.3L, 1.6L	4	
	80-82	2.0L Z, 20 E Calif 10cables	4	
	78-80	2.0L Z, 20 E EXCEPTO CALIF	4	
	<b>521, 610, 620, 710</b>	70-79	1.6L(70-73), 1.8L(73-74), 2.0L(73-79)	4
<b>720 PICK UP</b>	85-86	2.0L, 2.4L Z20E KA24E	4	
	83-84	2.0L Y, KA 245 Z24, 2.0L Z20E	4	
	80-82	2.0L Z20	4	
<b>810</b>	81-84	2.2L Z22 10 cables	4	
	77-81	2.4L L24E MAXIMA	6	
<b>ALMERA</b>	01-05	1.8L, 2.0L I4 DOHC 16V	4	
<b>ALTIMA</b>	97-01	2.4L D, KA24DE DE 10-97	4	
	97-98	2.4L B, KA24 DE GLE, GXE, SE, XE	4	
	93-96	2.4L B, KA24 DE GLE, GXE, SE, XE	4	
<b>AXXES</b>	89-94	2.4L H, KA24E, Z24	4	
<b>BLUEBIRD</b>	83-92	1.6L, 1.8L, 2.0L Export	4	
<b>CAMIONETAS</b>	83-87	1.8L SR18DE, 2.0L SR20DE, SR20DET	4	
	<b>PICK UP</b>	87-90	1.8L	4
<b>ESTACAS, DOBLE CABINA</b>	63-84	1200, 1300, 1500 Motor J	4	
<b>CARAVAN</b>	05-07	2.4L	4	
	89-04	2.4L	4	
<b>D21 PICK UP</b>	90-99	2000cc C D FTGE24 VTE24 VTGE24, Motor NA20S	4	
	93-02	D22 2400cc 12V USA	4	
	93-02	2400cc 12V USA	4	
	90-97	2.4L S, KA24E, Z24	4	
	86-89	2.4L N, Z24 10 cables	4	
	90-96	3.0L 2960cc VG30-E V6	6	
	86-89	3.0L VG30-E	6	
<b>D22 PICK UP</b>	85-86	3.0L	6	
	08-11	2.4L KA24DE	4	
	06-08	2.4L KA24DE DOHC 16V	4	
	93-02	2400cc 12V MEXICO	4	
<b>DATSUN</b>	79-82	210 1200cc (A12A), 1400cc (A14)	4	
	75-80	B210 GFU, 210 GFU 1400cc (A14)	4	
	79-82	120Y, 210 1500cc (A15)	4	
	60-72	1.5L	4	
<b>FRONTIER</b>	02-08	2.4L KA24DE (D22B)	4	
	01-08	2.4L KA24DE DOHC 16V	4	
	98-02	2.4L KA24DE	4	
	98-99	3.0L V6	6	
	99-04	3.3L VG33-E	6	
<b>HIKARI</b>	85-92	1.5L, 1.6L ORIGINAL	4	
	85-92	1.5L, 1.6L UNIVERSAL	4	
	84-92	1.5L, 1.6L TURBO Original	4	
	84-92	1.5L, 1.6L TURBO (UNIV)	4	
	82-91	1.5L, 1.6L Cap. Universal	4	
	73-90	1.6L, 1.8L	4	
<b>ICHIVAN</b>	90-99	2000cc C D FTGE24 VTE24 VTGE24, Motor NA20S	4	
<b>HOMY</b>				
<b>KING CAB</b>	85-94	2.0L Z20	4	
<b>LUCINO GSE</b>	97-00	1.6L 16V GA16DNE 105HP	4	
<b>LUCINO GSR</b>	96-97	1.6L 16V GA16DE 110HP	4	
<b>MARCH</b>	96-00	2.0L 16V SR20DE 140HP	4	
<b>MAXIMA</b>	12-14	1.6L	4	
	81-84	2.4L L24E	4	
	85-88	3.0L VG30	6	
	89-94	3.0L H, VG30-E AL 2/94	6	
	85-89	3.0L	6	

B5531N4	B6531N4	B1531N4	B44	D60	
B5788N4	B6788N4	B1788N4	B56	N/A	
B5221N8	B6221N8	B1221N8	B43	D60	
B5530N4	B6530N4	B1530N4	B44	D59	
B5221N8	B6221N8	B1221N8	B43	D60	
B5224N4	B6224N4	B1224N8	B3	D17	
B5224N4	B6224N4	B1224N8	B3	D17	
B5233N4	B6233N4	B1233N4	B46	D57	
B5785N6	B6785N6	B1785N6	B45 B46	D18	
B5785N6	B6785N6	B1785N6	B45 B46	D18	
B5785N6	B6785N6	B1785N6	B45 B46	D18	
B5400N4	B6400N4	B1400N4	B41	D60	
B5224N4	B6224N4	B1224N8	B3	D17	
B5221N8	B6221N8	B1221N8	B43	D60	
B5224N4	B6224N4	B1224N8	B3	D17	
B5224N4	B6224N4	B1224N8	B3	D17	
B59153N4	B69153N4	B19153N4	B46	D60	
B5221N8	B6221N8	B1221N8	B43	D60	
B5224N4	B6224N4	B1224N8	B3	D17	
B5221N8	B6221N8	B1221N8	B43	D60	
B5785N6	B6785N6	B1785N6	B45 B46	D18	
			B6117N4	B512	N/A
B59100N4	B69100N4	B19100N4	B62	N/A	
B59100N4	B69100N4	B19100N4	B62	N/A	
B5982N4	B6982N4	B1982N4	B62	D32	
B5233N4	B6233N4	B1233N4	B46	D57	
B59350N4	B69350N4	B19350N4	B18 B251	D92	
B59351N4	B69351N4	B19351N4	B200	N/A	
B5230N4	B6230N4	B1230N4	B43 B45	D57	
B5220N4	B6220N4	B1220N4	B3	D17	
B59100N4	B69100N4	B19100N4	B62	N/A	
B5233N4	B6233N4	B1233N4	B46	D57	
B59414N4	B69414N4	B19414N4	B41	D57	
B59276N4	B69276N4	B19276N4	B187	N/A	
B5538N4	B6538N4	B1538N4	B46	D57	
B5233N4	B6233N4	B1233N4	B46	D57	
B5231N8	B6231N8	B1231N8	B43	D57	
B59360N6	B69360N6	B19360N6	B59 B61	D57	
B5536N6	B6536N6	B1536N6	B28 B39 B46	D57	
	B69381N6	B19381N6	B28 B46	D57	
B59276N4	B69276N4	B19276N4	B187	N/A	
B5537N4	B6537N4	B1537N4	B57	N/A	
B59276N4	B69276N4	B19276N4	B187	N/A	
B5787N4	B6787N4	B1787N4	B3	D17	
B5787N4	B6787N4	B1787N4	B3	D17	
B5787N4	B6787N4	B1787N4	B3	D17	
B5220N4	B6220N4	B1220N4	B3	D17	
B59276N4	B69276N4	B19276N4	B187	N/A	
B5537N4	B6537N4	B1537N4	B57	N/A	
B59100N4	B69100N4	B19100N4	B62	N/A	
	B69380N6	B19380N6	B58 B60	N/A	
B59115N6	B69115N6	B19115N6	B59 B61	N/A	
B5400N4	B6400N4	B1400N4	B41	D60	
B5406N4	B6406N4	B1406N4	B43	D60	
B5500N4	B6500N4	B1500N4	B41	D60	
B5766N4	B6766N4	B1766N4	B15	D3	
B5390N4	B6390N4	B1390N4	B43	D60	
B5230N4	B6230N4	B1230N4	B43 B45	D57	
B59414N4	B69414N4	B19414N4	B41	D57	
B59348N4	B69348N4	B19348N4	B18	D93	
B5533N4	B6533N4	B1533N4	B153	N/A	
B5531N4	B6531N4	B1531N4	B44	D60	
B5530N4	B6530N4	B1530N4	B44	D59	
			B6122N4	B514	N/A
B5785N6	B6785N6	B1785N6	B45 B46	D18	
B5811N6	B6811N6	B1811N6	B40	D60	
B59225N6	B69225N6	B19225N6	B182 B183	D18	
B59381N6	B69381N6	B19381N6	B28 B46	D57	

\*Importante: La información indicada en esta publicación, ha sido obtenida por fuentes confiables y oficiales, consideramos que es correcta, sin embargo no asumimos ninguna responsabilidad por errores, cambios, omisiones o daños que resultaran de estos.

\* Este producto se fabrica con forro de PVC

COP: Coil On Plug / Capuchón para Bobina, BUJ: Bujía, DIST: Distribuidor, N/A: No aplica \*Las denominaciones y logotipos registrados que se presentan en esta publicación, son propiedad de sus titulares, Cromios SA de CV, no se hace responsable por los cambios de titularidad de los registros de marca a la fecha de la presente publicación, JUNIO 2015\*



# NISSAN



MODELO / MODEL	AÑO / YEAR	MOTOR / ENGINE	CIL
<b>MICRA</b>	84-91	1.2L CANADA	4
<b>NP300</b>	95-97	1500cc (GA15DE/GA15DS) SudAm	4
	08-12	2.4L KA24DE (D22X)	4
	87-91	2.4L Z24 (10 cables)	4
	86-89	2.4L KA24E 10 cables	4
	90-96	3.0L VG30 (Export)	6
<b>PATHFINDER</b>	90-95	3.0L V6 VG30-E, LE, SE, XE	6
	86-89	3.0L H VG30	6
	85-89	3.0L	6
	96-00	3.3L A VG33-E, LE, SE, XE	6
<b>PATROL</b>	91-97	4.2L TB42E	6
	85-94	2.0L Z20	4
<b>PICK UP</b>	08-12	2.4L KA24DE (NP300)	4
	94-97	2.4L S, KA24E, SE, SHORT, XE	4
	95-96	3.0L VG30E	4
<b>PLATINA</b>	01-09	1.6L MEXICO	4
<b>PRAIRIE</b>	83-88	1.8L CA18S Exportación	4
	86-92	2.0L	4
	1984	1.5L E15	4
	82-85	1.5L E15	4
	82-85	1.5L E15 Cap Universal	4
	85-90	1600cc TIPO E (I y II) EXP	4
	83-85	1.6L E16	4
	82-88	1.6L E16	4
<b>QUEST</b>	92-98	3.0L I, W, VG30E, GXE, XE	6
<b>SAKURA</b>	73-90	1.6L, 1.8L	4
<b>SAMURAI</b>	84-92	1500, 1600 motor E turbo Original	4
	73-90	1.6L, 1.8L	4
	95-97	1.3L (GA13DS) Sudamerica	4
	83-85	1.5L, 1.6L E15, E16	4
	82-88	1.5L, 1.6L E15, E16	4
	97-00	1.6L GA16DNE GST-GSX	4
	96-97	1.6L GA16DE GST-GSX	4
	91-00	1.6L A, E, GA16DE, GLE, GXE, XE, E, CE, SE	4
	01-02	1.8L	4
	00-05	2.0L	4
	90-03	2.0L SR20DE GSS(96-00), GAS(91-94)	4
	90-03	2.0L SR20DE GSS(96-00), GAS(91-94)	4
<b>SENTRA GSS</b>	96-00	2.0L 16 VALV SR20DE 140HP	4
	96-00	2.0L 16 VALV SR20DE 140HP	4
	92-01	1.6L GA16DE	4
	92-00	2.0L SR20DE	4
<b>SERENA</b>	91-95	2.0L SR20DE PC24, PNC24	4
<b>SILVIA</b>	83-88	1.8L TURBO CA18ET	4
	82-89	2.0L CA20E, WAGON (85-89)	4
<b>STANZA</b>	90-94	2.4L KA24DE, KA24E, Z24	4
	81-85	1.6L CA16S, 1.8L CA18S	4
	95-97	1.6L B11 (GA16DE) Sudam	4
<b>SUNNY</b>	91-93	1.6L GA16DE B13 (Export)	4
	98-07	1.6L SR16VE, 1.8L SR18DE (Export)	4
<b>TIIDA</b>	07-12	1.8L	4
<b>TSUBAME</b>	94-04	1.6L GA16DE	4
<b>GS-GST-GSX</b>	94-04	1.6L GA16DNE 16Valvulas	4
<b>TSURU GSR</b>	93-96	2.0L 16V SR20DE 140HP	4
	82-91	1.5L, 1.6L (I y II)	4
	82-91	1.5L, 1.6L (I y II) Cap Univ	4
	82-91	1.5L, 1.6L (I y II) Cap Original	4
	97-15	1.6L GA16DNE 16V (III)	4
	94-15	1.6L GA16DE 16V (III)	4
	92-94	1.6L (III EXCEPTO 8 Y 16 VAL)	4
	92-93	1.6L E16 8 VALV (III)	4
	85-90	1600cc TIPO E (I y II) EXP	4
	13-15	2.5L	4
<b>URVAN</b>	00-07	2.4L 16 VALV KA24DE	4
	00-07	2.4L TWIN CAM	4
<b>VAN</b>	87-89	2.4L KA24E (10 cables)	4
	90-91	2.4L Z24 (10 cables)	4
<b>VANETTA</b>	83-87	1.5L KC120 A15	4
<b>VERSA</b>	12-15	1.6L	4
<b>VIOLET</b>	78-82	1.4L A14 (140J)	4
	00-02	2.4L KA24DE	4
<b>XTERRA</b>	01-04	2.4L KA24DE DOHC 16V	4
	03-04	3.3L VG33E SIN SUPERC.	6
<b>X-TRAIL</b>	07-14	2.5L	4
<b>106</b>	93-96	1.1, 1.3, 1.4, 1.6 Exp	4
	91-93	1.0, 1.1, 1.4 Exportación	4

EPDM	SILICON	ELITE	COP	BUJ	DIST
B5402N4	B6402N4	B1402N4		B42	D57
B5788N4	B6788N4	B1788N4		B22	N/A
B59276N4	B69276N4	B19276N4		B187	N/A
B5231N8	B6231N8	B1231N8		B43	D57
B5231N8	B6231N8	B1231N8		B43	D57
B59288N6	B69288N6	B19288N6		B61 B194	D57
B59360N6	B69360N6	B19360N6		B59 B61	D57
B5536N6	B6536N6	B1536N6		B28 B39 B46	D57
	B69381N6	B19381N6		B28 B46	D57
B59115N6	B69115N6	B19115N6		B59 B61	N/A
B59349N6	B69349N6	B19349N6		B18	D92
B59348N4	B69348N4	B19348N4		B18	D93
B59276N4	B69276N4	B19276N4		B187	N/A
B5233N4	B6233N4	B1233N4		B46	D57
B59360N6	B69360N6	B19360N6		B59 B61	D57
			B6103N4	B507	N/A
B59348N4	B69348N4	B19348N4		B18	D93
B59350N4	B69350N4	B19350N4		B18 B251	D92
B5786N4	B6786N4	B1786N4		B46	D18
B5400N4	B6400N4	B1400N4		B41	D60
B5406N4	B6406N4	B1406N4		B43	D60
B5712N4	B6712N4	B1712N4		B42	D57
B5786N4	B6786N4	B1786N4		B46	D18
B5402N4	B6402N4	B1402N4		B42	D57
B59114N6	B69114N6	B19114N6		B58 B60	D73
B5230N4	B6230N4	B1230N4		B43 B45	D57
B5500N4	B6500N4	B1500N4		B41	D60
B5230N4	B6230N4	B1230N4		B43 B45	D57
B5788N4	B6788N4	B1788N4		B56	N/A
B5786N4	B6786N4	B1786N4		B46	D18
B5402N4	B6402N4	B1402N4		B42	D57
B5533N4	B6533N4	B1533N4		B153	N/A
B5531N4	B6531N4	B1531N4		B44	D60
B5531N4	B6531N4	B1531N4		B44	D60
B5530N4	B6530N4	B1530N4		B44	D59
			B6117N4	B512	N/A
B5532N4	B6532N4	B1532N4		B44	D58
B5530N4	B6530N4	B1530N4		B44	D59
B5530N4	B6530N4	B1530N4		B44	D59
B5532N4	B6532N4	B1532N4		B44	D58
B59347N4	B69347N4	B19347N4		B44	D60
B59347N4	B69347N4	B19347N4		B44	D60
B59351N4	B69351N4	B19351N4		B200	N/A
B59348N4	B69348N4	B19348N4		B18	D93
B5221N8	B6221N8	B1221N8		B43	D60
B5233N4	B6233N4	B1233N4		B46	D57
B59348N4	B69348N4	B19348N4		B18	D93
B5788N4	B6788N4	B1788N4		B56	N/A
B59282N4	B69282N4	B19282N4		B190	D59
B59351N4	B69351N4	B19351N4		B200	N/A
			B6118N4	B513	N/A
B5531N4	B6531N4	B1531N4		B44	D60
B5533N4	B6533N4	B1533N4		B153	N/A
B5530N4	B6530N4	B1530N4		B44	D59
B5400N4	B6400N4	B1400N4		B41	D60
B5390N4	B6390N4	B1390N4		B43	D60
B5500N4	B6500N4	B1500N4		B41	D60
B5533N4	B6533N4	B1533N4		B153	N/A
B5531N4	B6531N4	B1531N4		B44	D60
B5711N4	B6711N4	B1711N4		B43	D60
B5402N4	B6402N4	B1402N4		B42	D57
B5712N4	B6712N4	B1712N4		B42	D57
B59100N4	B69100N4	B19100N4	B6122N4	B514	N/A
B5537N4	B6537N4	B1537N4		B62	N/A
B5221N8	B6221N8	B1221N8		B57	N/A
B5221N8	B6221N8	B1221N8		B43	D60
B59351N4	B69351N4	B19351N4		B43	D60
			B6122N4	B200	N/A
			B6122N4	B514	N/A
B59350N4	B69350N4	B19350N4		B18 B251	D92
B59100N4	B69100N4	B19100N4		B62	N/A
B5537N4	B6537N4	B1537N4		B57	N/A
B59115N6	B69115N6	B19115N6		B59 B61	N/A
			B6122N4	B514	N/A
B59197PG4	B69197PG4			B149	N/A
B59194PG4	B69194PG4			B104	D52

\*Importante: La información indicada en esta publicación, ha sido obtenida por fuentes confiables y oficiales, consideramos que es correcta, sin embargo no asumimos ninguna responsabilidad por errores, cambios, omisiones o datos que resulten de estos.



\* Este producto se fabrica con forro de PVC

COP: Coil On Plug / Capuchón para Bobina, BUJ: Bujía, DIST: Distribuidor, N/A: No aplica "Las denominaciones y logotipos registrados que se presentan en esta publicación, son propiedad de sus titulares, Cronios SA de CV, no se hace responsable por los cambios de titularidad de los registros de marca a la fecha de la presente publicación, JUNIO 2015"



\*Importante: La información indicada en esta publicación, ha sido obtenida por fuentes confiables y oficiales, consideramos que es correcta, sin embargo no asumimos ninguna responsabilidad por errores, cambios, omisiones o daños que resultaran de estos.

MODELO / MODEL	AÑO / YEAR	MOTOR / ENGINE	CIL
<b>106 II</b>	96-97	1.0i, 1.1i, 1.4i, 1.6i Exp	4
	1996	1.0i (TU9M) Exportación	4
	93-94	1.1 CJ, 1.4 CJ Cabriolet Exp	4
<b>205</b>	84-93	1.1, 1.3, 1.4 CJ Cabriolet Exp	4
	91-94	1.6i (XU5M) Exportación	4
	87-93	1.0, 1.1, 1.3, 1.4 Exportación	4
<b>205 II</b>	93-97	1.1, 1.4 (TU1M, TU3M/JP) Exp	4
	87-98	1.6 (XU5TC, XU5CP) Exp	4
	00-07	1.6L MEXICO	4
<b>306</b>	93-97	1.1, 1.4, 1.6 TU1M, 3M, 3JP Exp	4
	00-03	1.8L XU7JP	4
	93-01	1.8i XT (XU7JP) Exportación	4
	1987	1.3L, 1.6L XU5 (Exportación)	4
<b>309</b>	89-93	1.4 (TU3M/3S/3A) Exportación	4
	1999	1.6/1.9 (XU51C, XU5CP, XU9J, XU9M) Exp	4
	92-93	1.6i (XU5M) Exportación	4
	1989	4 CIL NO CAT antiguo Exp	4
<b>309 II</b>	89-93	1.1, 1.4 TU1M, TU3M, TU3A Exp	4
	89-93	1.6 (XU52C/K, XU5M2Z/3Z, XU5M) Exp	4
<b>404</b>	1984	4 CIL Exportación	4
	93-96	1.4L (TU3M) 405II Break Exp	4
	88-92	1.4L Exportación	4
	94-96	1.6L CAT c/bobina Exportación	4
	92-96	1.6i, 1.8i Exportación	4
	87-92	1.6, 1.9 4x4 XU51C Exportación	4
	1987	1.6L GL SR (Exportación)	4
<b>405</b>	92-96	2.0L XU10J2 4 Cables (Exp)	4
	88-92	4 CIL NO CAT antiguo Exp	4
	96-97	1.6i (XU5JP) Exportación	4
	71-89	XS 1.8L, 2.0L Sin tubo Exp	4
	71-89	2.0 Break, Cabriolet Coupe Exp	4
	82-91	2.0L XN1A Exportación	4
	92-96	2.0L XU10J2 4 Cables (Exp)	4
<b>BOXER</b>	94-06	2.0i (XU10J2C) Exportación	4
<b>EXPERT</b>	95-12	1.6i Exportación	4
<b>J5</b>	84-90	2.0L XN1T, XN1TACP(BUS) Exp	4
<b>J9</b>	80-87	2.0L XN1P (BUS) Export	4
<b>PARTNER</b>	96-97	1.1, 1.4 TU1M/1JP/3JP Export	4
	1994	1.6L CAT c/bobina Exp	4
	00-07	1.6L MEXICO	4
	97-00	1.8i Exportación (NO Mexico)	4

EPDM	SILICON	ELITE	COP	BUJ	DIST
B59197PG4	B69197PG4			B149	N/A
B59194PG4	B69194PG4			B104	D52
B59197PG4	B69197PG4			B149	N/A
B59194PG4	B69194PG4			B104	D52
B5924PG4	B6924PG4	B1924PG4		B148	N/A
B59194PG4	B69194PG4			B104	D52
B59197PG4	B69197PG4			B149	N/A
B59144PG4	B69144PG4			B96 B103	D52
			B6104PG4	B508	N/A
B59197PG4	B69197PG4			B149	N/A
B59356PG4	B69356PG4			B148	N/A
B5924PG4	B6924PG4	B1924PG4		B148	N/A
B59307PG4	B69307PG4	B19307PG4		B148	D52
B59194PG4	B69194PG4			B104	D52
B59144PG4	B69144PG4			B96 B103	D52
B5924PG4	B6924PG4	B1924PG4		B148	N/A
B59191PG4	B69191PG4			B71	D41
B59194PG4	B69194PG4			B104	D52
B59144PG4	B69144PG4			B96 B103	D52
B5960PG4	B6960PG4			B26	D11
B59197PG4	B69197PG4			B149	N/A
B59194PG4	B69194PG4			B104	D52
B5925PG4	B6925PG4	B1925PG4		B53	D19
B5924PG4	B6924PG4	B1924PG4		B148	N/A
B59144PG4	B69144PG4			B96 B103	D52
B59307PG4	B69307PG4	B19307PG4		B148	D52
B59308PG4	B69308PG4	B19308PG4		B145	N/A
B59191PG4	B69191PG4			B71	D41
B5924PG4	B6924PG4	B1924PG4		B148	N/A
B59111PG4	B69111PG4			B25	D26
B59145PG4	B69145PG4			B27	D36
B59145PG4	B69145PG4			B27	D36
B59308PG4	B69308PG4	B19308PG4		B145	N/A
B5924PG4	B6924PG4	B1924PG4		B148	N/A
B5924PG4	B6924PG4	B1924PG4		B148	N/A
B59145PG4	B69145PG4			B27	D36
B59145PG4	B69145PG4			B27	D36
B59197PG4	B69197PG4			B149	N/A
B5925PG4	B6925PG4	B1925PG4		B53	D19
			B6104PG4	B508	N/A
B5924PG4	B6924PG4	B1924PG4		B148	N/A

<b>ALLIANCE</b>	83-87	1.4L	4
	85-87	1.7L, 2.0L	4
	91-96	1.1 I, Societe Exportación	4
<b>CLIO</b>	80-83	1200, 1400, 1600cc (Export)	4
	90-98	1.4i, 1.6i M4 Pin EXP	4
	1985	1.4L (Exportación)	4
	01-09	1.6L MEXICO	4
	90-99	1.6L 8 VALV (C3L) (Export)	4
	90-93	1.8L Exportación	4
	98-99	1.4L, 1.6L, 1.6L16V K4M 748 Exp	4
<b>CLIO II</b>	02-13	2.0 16v MEXICO	4
<b>CLIO SPORT</b>	80-84	1.6L	4
<b>DAUPHINE</b>	86-95	1.1, 1.4 Camionette, Exp	4
	80-83	1200, 1400, 1600cc (Export)	4
	85-02	1.4L (Exportación)	4
	85-86	1.4 Exportación	4
<b>GORDINI</b>	80-84	1.6L	4
<b>KANGOO</b>	1998	1.4 (E7J634 / 635) Exportación	4
	1998	1.4 (E7J780) Exportación	4
<b>LAGUNA</b>	97-01	1.6, 1.6 16V Nevada Exp	4
<b>LE CAR</b>	83-87	1.4L	4
	80-83	1.4L	4
<b>MEGANE</b>	96-99	1.4i, e, ECO Exportación	4
	97-99	1.6 e i Cabriolet, coupe, scenic EXP	4

B5380R4	B6380R4	B1380R4		B3	D39
B5768R4	B6768R4	B1768R4		B99	D52
B59198R4	B69198R4			B3	D16 D21
B59309R4	B69309R4	B19309R4		B18	N/A
B59101R4	B69101R4	B19101R4		B145	N/A
B59310R4	B69310R4	B19310R4		B70	D8
			B6103N4	B507	N/A
B59299R4	B69299R4	B19299R4		B107 B196	D90
B59195R4	B69195R4	B19195R4		B72	D87
B59193R4	B69193R4			B147	N/A
B59220R4	B69220R4	B19220R4		B151	N/A
B5240R4	B6240R4	B1240R4		B3	D1
B59198R4	B69198R4			B3	D16 D21
B59309R4	B69309R4	B19309R4		B18	N/A
B59310R4	B69310R4	B19310R4		B70	D8
B59192R4	B69192R4			B70	D45
B5240R4	B6240R4	B1240R4		B3	D1
B59101R4	B69101R4	B19101R4		B145	N/A
B59193R4	B69193R4			B147	N/A
B59193R4	B69193R4			B147	N/A
B5380R4	B6380R4	B1380R4		B3	D39
B5370R4	B6370R4	B1370R4		B15	D22
B59101R4	B69101R4	B19101R4		B145	N/A
B59193R4	B69193R4	B19193R4		B147	N/A

\* Este producto se fabrica con forro de PVC

COP: Coil On Plug / Capuchón para Bobina, BUJ: Bujía, DIST: Distribuidor, N/A: No aplica "Las denominaciones y logotipos registrados que se presentan en esta publicación, son propiedad de sus titulares, Cromios SA de CV, no se hace responsable por los cambios de titularidad de los registros de marca a la fecha de la presente publicación, JUNIO 2015"



# RENAULT

MODELO / MODEL	AÑO / YEAR	MOTOR / ENGINE	CIL
<b>R19</b>	88-95	1.4, 1.6L Exportacion)	4
	94-99	1.6L 8 VALV	4
	90-93	1.8L (EXPORTACION)	4
	1982	1.8L	4
<b>R5</b>	80-83	1.4L	4
	80-84	1.6L	4
	83-86	2.0L 18 GTX 1985 - R18i 83-86	4
<b>R-8, R-10, R-12, R-18</b>	82-88	1.2, 1.4 C/Cable Tierra (Export.)	4
	82-88	1.2, 1.4 S/Cable Tierra (Export.)	4
	81-90	1.4, (Turbo) 1.6L Exportacion	4
<b>SUPER 5</b>	84-90	1.4, 1.4 Turbo C1J768 Export.	4



# SUBARU

MODELO / MODEL	AÑO / YEAR	MOTOR / ENGINE	CIL
<b>1600 GL</b>	86-87	1.6L EA71	4
<b>1800 DL</b>	85-89	1.8L EA81	4
<b>1800 GL</b>	85-89	1.8L EA82	4
<b>1800 GL 10 DOMINGO</b>	85-86	1.8L EA82	4
<b>IMPREZA</b>	84-94	1000cc (EF10), 1200cc (EF12)	4
	93-96	1.8L EJ18E	4
	95-00	2.0L EJ20E, EJ20I	4
	93-00	2.0L TURBO GT/GT RALLY	4
<b>JUSTY</b>	97-98	2.2L	4 NUEVO
	87-94	1.2L 7, 8, 12	4
<b>LEGACY</b>	86-89	1.8L 5 RX	4
	89-98	2.0L EJ20E, 2.2L EJ22	4
	97-98	2.2L	4 NUEVO
	90-94	2.2L SOHC 2WD, 4WD EJ22, TURBO EJ22T	4
<b>LEONE</b>	85-91	1.8L 2D, 4D, GL, GLFS/TURBO	4
<b>LOYALE</b>	90-94	1.8L EA82 SIN TURBO	4
<b>SEDAN, COUPE, WAGON</b>	86-87	1.6L DL, GL	4
	85-89	1.8L 4, DL, GL, GL-10	4



# SUZUKI

MODELO / MODEL	AÑO / YEAR	MOTOR / ENGINE	CIL
<b>BALENO</b>	95-02	1.3L G13BA, G13BB 5mm	4
	95-97	1.3L 16V, 1.6L16V (4x4) COMBI	4
	95-02	1.6L G16B	4
<b>CARRY</b>	99-07	1.3L G13BB (2 Cables) Exp	4
	76-96	4 CIL (33700-79831-Y00)	4
<b>ESTEEM</b>	99-00	1.6L 6 G16S (2 CABLES)	4
	1998	1.6L 3	4
	95-97	1.6L 3 G16B	4
	99-02	1.8L 8 (2 CABLES)	4
<b>FORENZA</b>	04-05	2.0L	4
<b>FORSA</b>	85-88	1.0L 4, 5 SIN TURBO, CANADA	3 NUEVO
<b>MARUTI</b>	82-95	3 CILINDROS	3
<b>RENO</b>	05-06	2.0L	4
<b>SAMURAI</b>	85-95	1.3L G13, G13A, G13BA	4
	1989	1.3L G13A	4
	92-98	1.6L G16A SOHC 16V G16B	4
<b>SIDEKICK</b>	89-95	1.6L SOHC 8V G16A G16B	4
	96-98	1.8L 2 J18A	4
<b>SUPER CARRY</b>	86-90	4 CIL Exportacion	4
<b>SWIFT</b>	99-01	1.3L 2 G13S (2 CABLES) Exp	4
	1998	1.3L 2 (Exportacion)	4
	89-97	1.3L 2 SOHC G13A G13B Exp	4
	89-96	1.6L G16B	4
<b>SWIFT II</b>	89-01	1.6L, 1.6L 4WD Exportacion	4
	99-01	1.6L G16S (2 CABLES)	4
<b>VITARA</b>	90-94	1.6L 16V Exportacion	4
	99-00	2.0L (2 CABLES)	4
	96-98	1.6L 1 G16B	4



# TOYOTA

MODELO / MODEL	AÑO / YEAR	MOTOR / ENGINE	CIL	
<b>4 RUNNER</b>	93-95	2.4L 22RE	4	
	88-92	2.4L 22RE FUEL INJ.	4	
	85-87	2.4L 22REC CARB.	4	
	84-88	2.4L 22R 22RTEC	4	
	71-89	2.4L 2tc, 3tc	4	
	94-97	2.4L 2RZFE	4	
	97-00	2.7L (2693cc) 3RZ-FE	4	
	92-95	3.0L 3VZE	6	
	88-91	3.0L 3VZE	6	
	96-02	3.4L N 5VZFE (3 CABLES)	6	
	<b>AVANZA</b>	07-10	1.5L DOHC	4 NUEVO



EPDM	SILICON	ELITE	COP	BUJ	DIST
B59198R4	B69198R4			B3	D16 D21
B59299R4	B69299R4	B19299R4		B107 B196	D16 D21
B59195R4	B69195R4	B19195R4		B72	D87
B5525R4	B6525R4	B1525R4		B73	D2
B5370R4	B6370R4	B1370R4		B15	D22
B5240R4	B6240R4	B1240R4		B3	D1
B5524R4	B6524R4	B1524R4		B15	D8
B59196R4	B69196R4			B3	D12
B59311R4	B69311R4	B19311R4		B196	D26
B59198R4	B69198R4			B3	D16 D21
B59198R4	B69198R4			B3	D16 D21

B59178SU4	B69178SU4	B19178SU4		B21	D57
B59178SU4	B69178SU4	B19178SU4		B21	D57
B59178SU4	B69178SU4	B19178SU4		B21	D57
B59178SU4	B69178SU4	B19178SU4		B21	D57
B59316SU3	B69316SU3	B19316SU3		B51	D65
B59339SU4	B69339SU4	B19339SU4		B199	N/A
B59339SU4	B69339SU4	B19339SU4		B199	N/A
B59339SU4	B69339SU4	B19339SU4		B199	N/A
B59177SU3	B69177SU3	B19177SU3		B243 B244	N/A
B59178SU4	B69178SU4	B19178SU4		B51	D65
B59339SU4	B69339SU4	B19339SU4		B21	D57
B59339SU4	B69339SU4	B19339SU4		B199	N/A
B59306S4	B69306S4	B19306S4		B243 B244	N/A
B59306S4	B69306S4	B19306S4		B199	N/A
B59178SU4	B69178SU4	B19178SU4		B21	D57
B59178SU4	B69178SU4	B19178SU4		B21	D57
B59178SU4	B69178SU4	B19178SU4		B21	D57
B59178SU4	B69178SU4	B19178SU4		B21	D57

B5921S4	B69340S24			B208	D21
	B6921S4			B44	D60
	B69340S24			B208	D21
B59292S24	B69292S24	B19292S24		B36	N/A
B5919S4	B6919S4	B1919S4		B3	D4
B59186G4	B69186G4	B19186G4		B7	N/A
B5972G4	B6972G4	B1972G4		B32	D11
B59185S24	B69185S24			B7	D1
B59186G4	B69186G4	B19186G4		B7	N/A
B59161G4	B69161G4	B19161G4		B122	N/A
B59418G3	B69418G3	B19418G3		B153	D21
B5920S3	B6920S3			B46	D60
B59161G4	B69161G4	B19161G4		B122	N/A
B59127G4	B69127G4	B19127G4		B5	D17
B59127G4	B69127G4	B19127G4		B5	D17
B5972G4	B6972G4	B1972G4		B32	D11
B59127G4	B69127G4	B19127G4		B5	D17
B5972G4	B6972G4	B1972G4		B32	D11
B5804S4	B6804S4	B1804S4		B3	D17
B59186G4	B69186G4	B19186G4		B7	N/A
B5972G4	B6972G4	B1972G4		B32	D11
B59126G4	B69126G4	B19126G4		B46	D59
	B69340S24			B208	D21
B5921S4	B6921S4			B44	D60
B59186G4	B69186G4	B19186G4		B7	N/A
B5921S4	B6921S4			B44	D60
B59186G4	B69186G4	B19186G4		B7	N/A
B5972G4	B6972G4	B1972G4		B32	D11

	B69143Y4 (5mm)			B173	D81
B5723Y4	B6723Y4	B1723Y4		B152	D72
B5723Y4	B6723Y4	B1723Y4		B152	D72
B5723Y4	B6723Y4	B1723Y4		B152	D72
B5823Y4	B6823Y4	B1823Y4		B16	D3
	B69253Y4 (5mm)			B172	N/A
	B69290Y4 (5mm)			B221	N/A
	B69116Y6 (5mm)			B173	D81
B5822Y6	B6822Y6	B1822Y6		B40	D4 D13
	B69119Y6 (5mm)			B172	N/A
			B6110Y4	B516	N/A

Importante: La información indicada en esta publicación, ha sido obtenida por fuentes confiables y oficiales, consideramos que es correcta, sin embargo no asumimos ninguna responsabilidad por errores, cambios, omisiones o daños que resulten de estos.







\*Importante: La información indicada en esta publicación, ha sido obtenida por fuentes confiables y oficiales, consideramos que es correcta, sin embargo no asumimos ninguna responsabilidad por errores, cambios, omisiones o daños que resultaran de estos.

MODELO / MODEL	AÑO / YEAR	MOTOR / ENGINE	CIL
<b>CALDINA</b>	87-91	1.5L	4
	84-91	2.0L	4
<b>CAMRY</b>	02-05	2.4L (2362cc) L4 2AZFE	4
	87-91	2.5L 2VZFE	4
<b>CARINA</b>	88-89	1.5L, 1.6L (4A-FE)	4
	87-97	1.6L 4AFE, 4AFE, 1.8L 7 AFEL	4
	90-93	1.6L 4AFE	4
	85-92	1.6L Gti 4AGEL, 4AGELC	4
	93-97	1.8L GT 7 AFE	4
	71-72	1.9L 8RC	4
	88-89	2.0L 3SGTE	4
	86-89	2.0L 3SGELC GTS	4
	84-91	2.0L	4
	72-74	2.0L 18RC	4
	1980	2.2L 20R	4
	75-79	2.2L 20R	4
	75-79	2.2L 20R cable bobina largo	4
	80-85	2.4L 22R 22RTEC	4
	87-94	1300cc 2e (Exportacion)	4
	79-83	1.3 (4K) 4AFE 96919-21316 (Exp)	4
	97-01	COROLLA SPACIO 1.5L, 1.6L, 1.8L	4
	95-98	COROLLA CERES 1.5L, 1.6L, 1.8L	4
	91-02	1.5L SAFE, 1.6L 4AFE, 1.8L 7AFE	4
	91-00	COROLLA LEVIN 1.5L, 1.6L, 1.8L	4
	1989	1.5L, 1.6L (4A-FE)	4
	88-90	1.5L (5A-FE)	4
	1996	1.6L 4AF	4
	90-93	1.6L 4AFE	4
	88-89	1.6L 4AF AF	4
	85-92	1.6L Gti 4AGEL, 4AGELC	4
	85-87	1.6L AE111, A101/G 4AGE	4
	83-88	1.6L 4ALC - 4AC	4
	98-99	4AFE 89-99, 1.8L 7AFE 92-01	4
	92-96	1.5L SAFE, 1.6L 4AFE, 1.8L 7AFE	4
	88-89	1.6L (5A-FE)	4
	68-71	1.9L 8R 8RC 3RC	4
	72-74	2.0L 18RC	4
	1980	2.2L 20R	4
	75-79	2.2L 20R	4
	75-79	2.2L 20R cable bobina largo	4
	81-82	2.4L 22R	4
	89-98	2.0L 1RZ	4
	89-95	2.4L 2RZE	4
<b>HIGHLANDER</b>	01-04	2.4L (2362cc) L4 2AZFE	4
	89-98	2.0L, 2.4L 1RZ, 2RZE	4
<b>HILUX</b>	04-05	2.7L (2693cc) 3RZ-FE	4
	98-01	3RZFE	4
<b>LAND CRUISER</b>	81-87	4.2L 2F	6
<b>PASEO</b>	96-99	1.5L C SEFE (2 CABLES)	4
	92-95	1.5L SEFE	4
	67-71	1.9L 8RC, 3RC, 3RB	4
	72-74	2.0L 18RC	4
	1980	2.2L 20R	4
	75-79	2.2L 20R	4
	75-79	2.2L 20R cable bobina largo	4
	93-95	2.4L 22RE	4
	81-92	2.4L 22RE 22RTEC 22R 22REC	4
	92-95	3.0L 3VZE	6
	88-91	3.0L 3VZE	6
<b>PRIUS</b>	01-08	1.5L	4
	01-03	2.0L (1998cc) L4 1AZFE	4
	98-01	2.0L 3SFE	4
	96-97	2.0L 3SFE DOHC	4
	95-97	3SFE	4
	04-05	2.4L (2362cc) L4 2AZFE	4
<b>SOLARA</b>	02-03	2.4L (2362cc) L4 2AZFE	4
	95-02	SPRINTER CARIB 1.5L, 1.6L, 1.8L	4
	92-98	SPRINTER MARINO 1.5L, 1.6L, 1.8L	4
	91-02	1.5L SAFE, 1.6L 4AFE, 1.8L 7AFE	4
	91-00	SPRINTER TRUENO 1.5L, 1.6L, 1.8L	4
	89-95	1.3L 2EE	4
	85-89	1.3L 2ELC	4
	94-01	2.4L, 2.7L 3RZ-FE 4WD	4
	94-97	2.4L 2RZFE	4
	98-01	3RZ-FE	4
	95-98	3.4L 5VZFE (3 CABLES)	6
	93-94	3.0L 3VZE	6

EPDM	SILICON	ELITE	COP	BUJ	DIST
	B69345Y4 (5mm)			B173 B174	N/A
B59247Y4	B69247Y4	B19247Y4		B219	N/A
			B6110Y4	B516	N/A
	B69345Y4 (5mm)			B173 B174	N/A
B5722Y4	B6722Y4	B1722Y4		B56	N/A
	B69365Y4 (5mm)			B173	N/A
B5535Y4	B6535Y4	B1535Y4		B153	N/A
B59344Y4	B69344Y4	B19344Y4		B201	D20
	B69365Y4 (5mm)			B173	N/A
B5723Y4	B6723Y4	B1723Y4		B152	D72
B59210Y4	B69210Y4	B19210Y4		B37	D57
B59208Y4	B69208Y4	B19208Y4		B36	D57
B59247Y4	B69247Y4	B19247Y4		B219	N/A
B5723Y4	B6723Y4	B1723Y4		B152	D72
B5723Y4	B6723Y4	B1723Y4		B152	D72
B5721Y4	B6721Y4	B1721Y4		B10	D1
B59398Y4		B19398Y4		B19	D1
B5723Y4	B6723Y4	B1723Y4		B152	D72
B59286Y4	B69286Y4	B19286Y4		B46 B49	D57
B5789Y4	B6789Y4	B1789Y4		B6 B52	D5
	B69252Y4 (5mm)			B175	N/A
	B69252Y4 (5mm)			B175	N/A
	B69252Y4 (5mm)			B175	N/A
	B69252Y4 (5mm)			B175	N/A
B5722Y4	B6722Y4	B1722Y4		B56	N/A
B5722Y4	B6722Y4	B1722Y4		B56	N/A
B59281Y4	B69281Y4	B19281Y4		B190	N/A
B5535Y4	B6535Y4	B1535Y4		B153	N/A
B5535Y4	B6535Y4	B1535Y4		B153	N/A
B59344Y4	B69344Y4	B19344Y4		B201	D20
	B69343Y4 (5mm)			B172	D81
B59158Y4	B69158Y4			B176	N/A
	B69365Y4 (5mm)			B173	N/A
	B69252Y4 (5mm)			B175	N/A
B5722Y4	B6722Y4	B1722Y4		B56	N/A
B5723Y4	B6723Y4	B1723Y4		B152	D72
B5723Y4	B6723Y4	B1723Y4		B152	D72
B5723Y4	B6723Y4	B1723Y4		B152	D72
B5721Y4	B6721Y4	B1721Y4		B10	D1
B59398Y4		B19398Y4		B19	D1
B5723Y4	B6723Y4	B1723Y4		B152	D72
B59317Y4	B69317Y4	B19317Y4		B46 B49	D59
	B69341Y4 (5mm)			B173 B174	N/A
			B6110Y4	B516	N/A
	B69346Y4 (5mm)			B173	N/A
	B69253Y4 (5mm)			B172	N/A
	B69290Y4 (5mm)			B221	N/A
B5812Y6	B6812Y6	B1812Y6		B15	D3
	B6931Y2 (5mm)			B172	N/A
	B69162Y4 (5mm)			B175	N/A
B5723Y4	B6723Y4	B1723Y4		B152	D72
B5723Y4	B6723Y4	B1723Y4		B152	D72
B5723Y4	B6723Y4	B1723Y4		B152	D72
B5721Y4	B6721Y4	B1721Y4		B10	D1
B59398Y4		B19398Y4		B19	D1
	B69143Y4 (5mm)			B173	D81
B5723Y4	B6723Y4	B1723Y4		B152	D72
	B69116Y6 (5mm)			B173	D81
B5822Y6	B6822Y6	B1822Y6		B40	D4 D13
			B6110Y4	B516	N/A
			B6110Y4	B516	N/A
	B69294Y4 (5mm)			B172	N/A
	B69294Y4 (5mm)			B223	D81
	B69294Y4 (5mm)			B172	D81
			B6110Y4	B516	N/A
			B6110Y4	B516	N/A
	B69252Y4 (5mm)			B175	N/A
	B69252Y4 (5mm)			B175	N/A
	B69252Y4 (5mm)			B175	N/A
	B69252Y4 (5mm)			B175	N/A
	B69345Y4 (5mm)			B173 B174	N/A
B59342Y4	B69342Y4	B19342Y4		B18 B251	N/A
	B69291Y4 (5mm)			B172	N/A
	B69253Y4 (5mm)			B172	N/A
	B69290Y4 (5mm)			B221	N/A
	B69119Y6 (5mm)			B172	N/A
	B69116Y6 (5mm)			B173	D81

\* Este producto se fabrica con forro de PVC

COP: Coil On Plug / Capuchón para Bobina, BUJ: Bujía, DIST: Distribuidor, N/A: No aplica "Las denominaciones y logotipos registrados que se presentan en esta publicación, son propiedad de sus titulares, Cromios SA de CV, no se hace responsable por los cambios de titularidad de los registros de marca a la fecha de la presente publicación, JUNIO 2015"



MODELO / MODEL	AÑO / YEAR	MOTOR / ENGINE	CIL
<b>TACOMA</b>	94-01	2.4L 2.7L 3RZ-FE 4WD	4
	95-04	2.4L 2.7L (2693cc) 3RZ-FE 4x4	4
	95-96	2.7L (2693cc) 3RZ-FE	4
	95-04	3.4L 5VZFE (3 CABLES)	6
<b>TERCEL</b>	95-99	1.5L 5EFE (2 CABLES)	4
	95-96	1.5L 5EFE 90919-22373 4 Cables	4
	93-94	1.5L 3EE	4
	87-92	1.5L 3E, 3EE (90-92)	4
	84-88	1.5L 3A, 3AC	4
<b>TUNDRA</b>	00-04	3.4L 5VZFE (3 CABLES)	6
<b>VAN, VAN WAGON</b>	84-86	2.0L 3YEC	4
	87-89	2.2L 4YEC	4
<b>YARIS</b>	06-10	1.5L	4

EPDM	SILICON	ELITE	COP	BUJ	DIST
	B69291Y4 (5mm)			B172	N/A
	B69290Y4 (5mm)			B221	N/A
	B69253Y4 (5mm)			B172	N/A
	B69119Y6 (5mm)			B172	N/A
	B6931Y2 (5mm)			B172	N/A
	B69103Y4 (5mm)			B172	N/A
	B6932Y4 (5mm)			B173 B174	N/A
B59211Y4	B69211Y4			B46 B48 B49	N/A
B59158Y4	B69158Y4			B176	N/A
	B69119Y6 (5mm)			B172	N/A
B59181Y4	B69181Y4			B6	D1
B59181Y4	B69181Y4			B6	D1
			B6110Y4	B516	N/A

## UNIVERSAL

UNIVERSAL	TODOS	MOTOR / ENGINE	CIL
	TODOS	4 CIL, ENC CONV	4
	TODOS	4 CIL, ENC CONV (Exportacion)	4
	TODOS	4 CIL ENC CONV CONDUCTOR COBRE	4
	TODOS	6 CIL, ENC CONV	6
	TODOS	6 CIL, ENC CONV (Exportacion)	6
	TODOS	6 CIL ENC CONV CONDUCTOR COBRE	6
	TODOS	8 Cil Ford/GM (780019)Cap Recto	8
	TODOS	8 Cil Ford/GM (780020)Cap Recto	8
	TODOS	8 CIL, ENC CONV	8
	TODOS	8 CIL, ENC CONV (Exportacion)	8
	TODOS	8 CIL ENC CONV CONDUCTOR COBRE	8

B5310U4	B6310U4	B1310U4	B3	D1
B5796U4	B6796U4		B3	D1
B59373U4			B3	D1
B5320U6	B6320U6	B1320U6	B3	D1
B5797U6	B6797U6		B3	D1
B59374U6			B3	D1
B5760FG8	B6760FG8	B1760FG8	B68	D43
B5770FG8	B6770FG8	B1770FG8	B68	D43
B5330U8	B6330U8	B1330U8	B3	D1
B5798U8	B6798U8		B3	D1
B59375U8			B3	D1

AMBASSADOR	65-74	3.3L(66-67), 3.8L(65-74), 4.2L(71-74)	6
	72-74	5.9L	8
<b>CONCORD</b>	78-79	2.0L	4
	1983	2.5L MAQ AMC	4
	82-83	2.5L MAQ GM	4
	80-81	2.5L	4
	78-83	3.8L, 4.2L	6
	78-79	5.0L	8
<b>EAGLE</b>	83-88	2.5L MAQ AMC Y GM	4
	1982	2.5L MAQ GM	4
	80-81	2.5L MAQ GM	4
	80-88	4.2L	6
<b>GREMLIN</b>	77-78	2.0L	4
	70-78	3.8L, 4.2L	6
	75-77	5.0L, 5.9L, 6.6L	8
<b>JAVELIN</b>	68-74	3.8L, 4.2L	6
	68-74	5.0L, 5.9L, 6.6L	8
<b>PACER</b>	75-81	3.8L, 4.2L	6
<b>RAMBLER</b>	66-74	3.3L, 3.8L	6
	1979	2.0L	4
	80-83	2.5L MAQ GM	4
	79-83	3.8L, 4.2L	6
	1979	5.0L	8

B5250V6	B6250V6	B1250V6	B3	D1
B5790C8	B6790C8	B1790C8	B3	D1
B5714F4	B6714F4	B1714F4	B3	D1
B5988C4	B6988C4	B1988C4	B90	D47 D50
B5203G4	B6203G4	B1203G4	B68	D41
B5988C4	B6988C4	B1988C4	B90	D47 D50
B5250V6	B6250V6	B1250V6	B3	D1
B5790C8	B6790C8	B1790C8	B3	D1
B5988C4	B6988C4	B1988C4	B90	D47 D50
B5203G4	B6203G4	B1203G4	B68	D41
B5988C4	B6988C4	B1988C4	B90	D47 D50
B5250V6	B6250V6	B1250V6	B3	D1
B5714F4	B6714F4	B1714F4	B3	D1
B5250V6	B6250V6	B1250V6	B3	D1
B5790C8	B6790C8	B1790C8	B3	D1
B5250V6	B6250V6	B1250V6	B3	D1
B5250V6	B6250V6	B1250V6	B3	D1
B5714F4	B6714F4	B1714F4	B3	D1
B5203G4	B6203G4	B1203G4	B68	D41
B5250V6	B6250V6	B1250V6	B3	D1
B5790C8	B6790C8	B1790C8	B3	D1

## AUDI, SEAT, SKODA, VOLKSWAGEN

SERIE 4000	85-87	1.8L B,C, 4000	4
SERIE 80	88-90	2.0L A,B,3,A80	4
SERIE 90	1988	2.0L B,3A, 90	4

B5969W4	B6969W4	B14	D1 D3
B5969W4	B6969W4	B14	D1 D3
B5969W4	B6969W4	B14	D1 D3

CORDOBA	01-07	1.6L	4
	04-07	2.0L	4
	01-07	1.6L	4
<b>IBIZA</b>	03-09	2.0L	4
	2000	2.0L (Exportacion Asia)	4
<b>LEON</b>	99-06	1.8L 20ZVAL SIN TURBO	4
<b>TOLEDO II</b>	99-06	1.8L 20ZVAL SIN TURBO	4

B5938ST4	B6938ST4	B163	N/A
B5962W4	B6962W4	B162 B163	N/A
B5938ST4	B6938ST4	B163	N/A
	B69420ST4	B162, 163	N/A
B59148W4		B163	N/A
	B69371W4	B19371W4	N/A
	B69371W4	B228	N/A
	B69371W4	B228	N/A

\*Importante: La información indicada en esta publicación, ha sido obtenida por fuentes confiables y oficiales, consideramos que es correcta, sin embargo no asumimos ninguna responsabilidad por errores, cambios, omisiones o datos que resulten de estos.



MODELO / MODEL	AÑO / YEAR	MOTOR / ENGINE	CIL
----------------	------------	----------------	-----



# SKODA

<b>FAVORITE</b>	92-95	1.3L 14	4
-----------------	-------	---------	---



# VOLKSWAGEN

<b>ATLANTIC</b>	82-88	1.6, 1.7, 1.8L Supr Baquelita	4	*
	82-88	1.6, 1.7, 1.8L Supr Metalico	4	*
	82-88	1600, 1700, 1800cc (T.Orig)	4	*
	82-88	1600, 1700, 1800cc (T.Orig)	4	*
84-86	1.8L c/Brincador Enc Elect	4	*	
<b>BETLE</b>	98-07	2.0L B (AEG)	4	*
<b>BORA</b>	96-05	1.8L 20VALV SIN TURBO	4	*
<b>BORA ESTATE</b>	96-05	1.8L 20VALV SIN TURBO	4	*
<b>BRASILIA</b>	75-89	1.6L	4	*
<b>CABRIO</b>	98-02	2.0L	4	*
	98-02	2.0L A3	4	*
<b>CABRIOLET</b>	95-02	2.0L ABA SOHC	4	*
	85-93	1.8L	4	*
<b>CABRIOLET</b>	95-98	2.0L ABA	4	*
	90-02	1.8L COMBI, PANEL	4	*
<b>CARAVELLE (RADIADOR)</b>	90-02	1.8L COMBI, PANEL (T. ORIG)	4	*
	75-84	1.5, 1.6, 1.7, 1.8L Supresor	4	*
<b>CARIBE</b>	75-84	1.5L, 1.6L, 1.7L, 1.8L GT	4	*
	75-84	1500, 1600, 1700, 1800cc(T.Orig)	4	*
	75-84	1500, 1600, 1700, 1800cc(T.Orig)	4	*
	82-88	1.6, 1.7, 1.8L Supresor Bujia	4	*
<b>COMBI</b>	1981	1.8L c/Brincador Enc Elect	4	*
	55-89	1.2L, 1.5L, 1.6L PLATINOS	4	*
	60-75	1.5L	4	*
	90-94	1800cc Fuel Inj Suoresores	4	*
<b>CORRADO</b>	90-94	1800cc Fuel Inj Supresores	4	*
	90-92	1.8L	4	*
<b>CORRADO</b>	92-95	2.8L	6	*
	84-88	1.8L 1800cc	4	*
<b>CORSAR</b>	84-88	1.8L 1800cc (T. Original)	4	*
	84-88	1.8L 1800cc (Cond Supresor)	4	*
	07-09	1.6L	4	*
<b>CROSSFOX</b>	11-14	1.6L	4	NUEVO
	94-00	1.8/2.0L A3, S4 F.I Supresor	4	*
<b>DERBY</b>	94-00	1.8/2.0L A3, S4 F.I Supresor	4	*
	94-10	1.8L	4	*
	94-07	1.8L TIPO ORIGINAL	4	*
	94-07	1.8L TIPO ORIGINAL	4	*
	01-05	2.0L	4	*
<b>EUROVAN</b>	01-06	2.5L (5 CABLES)	5	*
	92-98	2.5L E, C, D, (6 CABLES)	5	*
	97-02	2.8L H, VR6	6	*
<b>FOX</b>	87-93	1.8L	4	*
<b>GOL</b>	94-04	1.0L (G2/G3) Exportacion	4	*
	09-13	1.6L (MEXICO)	4	*
<b>GOLF</b>	94-00	1.8/2.0L A3, S4 F.I Supresor	4	*
	94-00	1.8/2.0L A3, S4 F.I Supresor	4	*
	89-99	1.8L	4	*
	89-99	1.8L	4	*
	89-94	1.8L	4	*
	88-92	1.8L c/Brincador Enc Elect	4	*
	85-92	1.8L	4	*
	01-07	2.0L A4 (4 CABLES)	4	*
	99-03	2.0L GTI, AEG	4	*
	93-99	2.0L GTI Exportacion	4	*
	94-00	2.0L A3 (5 CABLES)	4	*
	93-99	2.0L A, ABA	4	*
	90-92	2.0L Cap Recto Cond Supresivo	4	*
	94-98	2.8L VR6	6	*
<b>GOLF II, III</b>	83-93	4 CIL EXPORTACION	4	*
<b>GOLF IV</b>	96-05	1.8L 20VALV SIN TURBO	4	*
<b>GOLF V VARIANT</b>	96-05	1.8L 20VALV SIN TURBO	4	*

EPDM	SILICON	ELITE	COP	BUJ	DIST
------	---------	-------	-----	-----	------

B59214SK4	B69214SK4	B19214SK4		B146	D71
-----------	-----------	-----------	--	------	-----

B8342W4				B38	D59
B5946W4	B6946W4			B168	D3
B5353W4	B6353W4			B168	D68
B8353W4				B168	D68
B8343W4				B180	D86
B5962W4	B6962W4			B162 B163	N/A
	B69371W4	B19371W4		B228	N/A
	B69371W4	B19371W4		B228	N/A
B8341W4				B8	D1
B5962W4	B6962W4			B162 B163	N/A
B59401W4				B235	N/A
B59224W4	B69224W4			B169	N/A
B5969W4	B6969W4			B14	D1, 3
B59224W4	B69224W4			B169	N/A
B5795W4	B6795W4	B1795W4		B2 B12	D9
B5355W4	B6355W4			B170	D69
B5946W4	B6946W4			B168	D3
B5360W4	B6360W4	B1360W4		B11	D21
B5353W4	B6353W4			B168	D68
B8353W4				B168	D68
B8342W4				B38	D59
B8343W4				B180	D86
B5340W4	B6340W4	B1340W4		B1	D1
B8341W4				B8	D1
B5935W4	B6935W4			B170	D74
B8935W4				B170	D74
B5969W4	B6969W4			B14	D1 D3
B5945W6	B6945W6			B162	D70
B5795W4	B6795W4	B1795W4		B2 B12	D9
B5356W4	B6356W4			B170	D67
B5762W4	B6762W4	B1762W4		B3	D1
B59113W4	B69113W4			B163	N/A
B59113W4	B69113W4			B163	N/A
B5934W4	B6934W4			B170	D74
B8934W4				B170	D74
B5795W4	B6795W4	B1795W4		B2 B12	D9
B5355W4	B6355W4			B170	D69
B8355W4				B170	D69
B5962W4	B6962W4			B162 B163	N/A
B59154W5	B69154W5			B162	N/A
B5357W5	B6357W5			B161	D67
B5945W6	B6945W6			B162	D70
B5969W4	B6969W4			B14	D1 D3
	B69312W4			B168	D67
B59113W4	B69113W4			B163	N/A
B5934W4	B6934W4			B170	D74
B8934W4				B170	D74
B5355W4	B6355W4			B170	D69
B8355W4				B170	D69
B5795W4	B6795W4	B1795W4		B2 B12	D9
B8343W4				B180	D86
B5969W4	B6969W4			B14	D1 D3
B5962W4	B6962W4			B162 B163	N/A
B5962W4	B6962W4			B162 B163	N/A
	B69314W4			B169	D74
B5354W4	B6354W4			B169	D74
B59224W4	B69224W4			B169	N/A
B5765W4	B6765W4	B1765W4		B12	D20
B5945W6	B6945W6			B162	D70
B89147W4				B165	D67
	B69371W4	B19371W4		B228	N/A
	B69371W4	B19371W4		B228	N/A

\*Importante: La información indicada en esta publicación, ha sido obtenida por fuentes confiables y oficiales, consideramos que es correcta, sin embargo no asumimos ninguna responsabilidad por errores, cambios, omisiones o daños que resultaran de estos.

\* Este producto se fabrica con forro de PVC

COP: Coil On Plug / Capuchón para Bobina, BUJ: Bujía, DIST: Distribuidor, N/A: No aplica \*Las denominaciones y logotipos registrados que se presentan en esta publicación, son propiedad de sus titulares, Cromios SA de CV, no se hace responsable por los cambios de titularidad de los registros de marca a la fecha de la presente publicación, JUNIO 2015"





MODELO / MODEL	AÑO / YEAR	MOTOR / ENGINE	CIL	
<b>JETTA</b>	1980	1.5L	4	
	80-83	1.6L (80-81), 1.7L (81-83)	4	
	94-00	1.8/2.0L A3, S4 F.I Supresor	4	
	94-00	1.8/2.0L A3, S4 F.I Supresor	4	
	89-92	1.8L	4	
	89-92	1.8L	4	
	89-94	1.8L	4	
	88-92	1.8L c/Brincador Enc Elect	4	
	84-95	1.8L EXCEPTO 16 VALV	4	
	01-07	2.0L A4 (4 CABLES)	4	
	99-03	2.0L GTI, AEG	4	
	94-00	2.0L A3 (5 CABLES)	4	
	93-99	2.0L A, SOHC ABA	4	
	90-92	2.0L Cap Recto Cond Supresivo	4	
	94-98	2.8L VR6	6	
	<b>KARMANNGHIA</b>	70-74	1.6L	4
	<b>LUPO</b>	05-09	1.6L	4
<b>NEW BEETLE</b>	98-10	2.0L	4	
<b>PASSAT</b>	94-00	1.8/2.0L A3, S4 F.I Supresor	4	
	94-00	1.8/2.0L A3, S4 F.I Supresor	4	
	95-96	2.0L 8 VALV	4	
	93-97	2.8L VR6	6	
<b>POINTER</b>	05-07	1.8L (4 CABLES)	4	
	98-05	1.8L (5 CABLES)	4	
<b>POINTER PICK UP</b>	05-07	1.8L (4 CABLES)	4	
	98-05	1.8L (5 CABLES)	4	
<b>POLO</b>	93-99	1.4L POLO CL	4	
	03-07	1.6L	4	
	96-05	TS VW C081 (Exportacion)	4	
	03-07	2.0L	4	
2000	2.0L (Exportacion Asia)	4		
<b>QUANTUM</b>	82-83	1.7L, 1.8L	4	
<b>RABBIT</b>	75-81	1.5L(75-80), 1.6L(76-81) PICK UP	4	
	1985	1.7L PICK UP	4	
	81-84	1.7L (81-84), 1.8L (83-84)	4	
<b>SAFARI</b>	55-89	1.2L, 1.5L, 1.6L PLATINOS	4	
	60-75	1.5L	4	
<b>SAVEIRO</b>	10-14	1.6L	4	
	87-91	1.6L, 1.8L, 2.0L Carburador	4	
<b>SCIROCCO</b>	75-82	1.5L (75-80), 1.6L (76-82)	4	
	81-84	1.7L (81-84), 1.8L (83-84)	4	
	85-89	1.8L EXCEPTO 16 VALV	4	
<b>SEDAN</b>	55-89	1.2L, 1.5L, 1.6L PLATINOS	4	
	75-88	1200, 1500, 1600cc T. Original	4	
	75-88	1200, 1500, 1600cc T. Original	4	
	60-75	1.5L	4	
	94-04	1600i Fuel Inj c/Supresor Baq	4	
	94-04	1600i Fuel Inj c/Supresor Baq	4	
	90-94	1600cc ENC. ELECT.	4	
	89-93	1.6L	4	
	89-93	1.6L SEDAN ENC. ELECT.	4	
	89-93	1.6L SEDAN ENC. ELECT.	4	
	75-89	1.6L	4	
<b>SEDAN FUEL INJECTION</b>	94-04	1.6L SEDAN FUEL INJ	4	
<b>SEDAN FUEL INJECTION</b>	94-04	1.6L SEDAN FUEL INJ	4	
<b>SPORT VAN</b>	06-10	1.6L	4	
<b>VENTO</b>	93-99	2.0L Exportacion	4	
<b>VW VAN</b>	05-07	1.8L (4 CABLES)	4	
	03-05	1.8L (5 CABLES)	4	

EPDM	SILICON	ELITE	COP	BUJ	DIST
B5360W4	B6360W4	B1360W4		B11	D21
B5360W4	B6360W4	B1360W4		B11	D21
B5934W4	B6934W4			B170	D74
B8934W4				B170	D74
B5355W4	B6355W4			B170	D69
B8355W4				B170	D69
B5795W4	B6795W4	B1795W4		B2 B12	D9
B8343W4				B180	D86
B5969W4	B6969W4			B14	D1 D3
B5962W4	B6962W4			B162 B163	N/A
B5962W4	B6962W4			B162 B163	N/A
B5354W4	B6354W4			B169	D74
B59224W4	B69224W4			B169	N/A
B5765W4	B6765W4	B1765W4		B12	D20
B5945W6	B6945W6			B162	D70
B5340W4	B6340W4	B1340W4		B1	D1
B59113W4	B69113W4			B163	N/A
B5962W4	B6962W4			B162 B163	N/A
B5934W4	B6934W4			B170	D74
B8934W4				B170	D74
B59224W4	B69224W4			B169	N/A
B5945W6	B6945W6			B162	D70
B59149W4	B69149W4			B164	N/A
B5936W4	B6936W4			B170	D74
B59149W4	B69149W4			B164	N/A
B5936W4	B6936W4			B170	D74
	B69313W4			B168	D70
B59113W4	B69113W4			B163	N/A
B59190W4	B69190W4			B165	D67
B5962W4	B6962W4			B162 B163	N/A
B59148W4				B163	N/A
B5969W4	B6969W4	B1969W4		B14	D1 D3
B5360W4	B6360W4	B1360W4		B11	D21
B5969W4	B6969W4			B14	D1 D3
B5360W4	B6360W4	B1360W4		B11	D21
B5340W4	B6340W4	B1340W4		B1	D1
B8341W4				B8	D1
B59113W4	B69113W4			B163	N/A
	B69315W4			B169	D69
B5360W4	B6360W4	B1360W4		B11	D21
B5360W4	B6360W4	B1360W4		B11	D21
B5969W4	B6969W4			B14	D1 D3
B5340W4	B6340W4	B1340W4		B1	D1
B5351W4	B6351W4			B167	D6
B8351W4				B167	D6
B8341W4				B8	D1
B5933W4	B6933W4			B171	D74
B8933W4				B171	D74
B8741W4				B13	D20
B5745W4	B6745W4	B1745W4		B179	D85
B5352W4	B6352W4			B160	D67
B8352W4				B160	D67
B8341W4				B8	D1
B5947W4	B6947W4			B166	D67
B8947W4				B166	D67
B59113W4	B69113W4			B163	N/A
	B69314W4			B169	D74
B59149W4	B69149W4			B164	N/A
B5936W4	B6936W4			B170	D74

\*Importante: La información indicada en esta publicación, ha sido obtenida por fuentes confiables y oficiales, consideramos que es correcta, sin embargo no asumimos ninguna responsabilidad por errores, cambios, omisiones o datos que resulten de estos.

# CABLES MARINOS



MODELO / MODEL	AÑO / YEAR	MOTOR / ENGINE	CIL
<b>INDIAN</b>	2012	Chevrolet LS3 Marino 8	8
<b>PENTA VOLVO GSI/GXI</b>	TODOS	5.0L, 5.7L Y 6.2L	8
<b>UNIVERSAL</b>	TODOS	UNIVERSAL CAP CODO	1
<b>UNIVERSAL</b>	TODOS	UNIVERSAL CAP CODO	1
<b>UNIVERSAL</b>	TODOS	UNIVERSAL CAP CODO	1
<b>UNIVERSAL</b>	TODOS	UNIVERSAL CAP CODO	1

EPDM	SILICON	ELITE	COP	BUJ	DIST
		B19402MR8		B236	N/A
		B19404MR8		B126	D76
		B19409MR1		B238	N/A
		B19410MR1		B238	N/A
		B19411MR1		B238	N/A
		B19412MR1		B238	N/A

# CABLES MONTACARGAS

MAZDA FZ/FE	S/R	Chevrolet LS3 Marino 8	8
<b>MITSUBISHI</b>	S/R	5.0L, 5.7L Y 6.2L	8
<b>UNIVERSAL</b>	TODOS	4 CILINDROS SY71180	1

B5900M4	B6900M4		B15	D21
B5901M4	B6901M4		B15	D21
		B19407M4	B49	D37

# CABLES PARA MOTOS

<b>UNIVERSAL PVC</b>	TODOS	Dist. Bobson cap inclinado	1
<b>UNIVERSAL PVC</b>	TODOS	Dist. Bobson cap RECTO	8
<b>UNIVERSAL PVC</b>	TODOS	Universal sin capuchones	1
<b>UNIV Motos trabajo</b>	TODOS	Cable 0.5m cap codo 90°	1
<b>UNIVERSAL Honda</b>	TODOS	Cable 0.5m cap codo 60°	1
<b>UNIV. Deportivas</b>	TODOS	Cable 0.5m cap recto 180°	1

B8540M1			B238	N/A
B8541M1			B237	N/A
B8542M1			B239	N/A
	B69155M1		B240	N/A
	B69156M1		B241	N/A
	B69157M1		B242	N/A

\*Importante: La información indicada en esta publicación, ha sido obtenida por fuentes confiables y oficiales, consideramos que es correcta, sin embargo no asumimos ninguna responsabilidad por errores, cambios, omisiones o daños que resultaron de estos.

## CABLES PARA BUJÍAS

**www.enejh.com**  
pedidos@enejh.com

TEL: +52(55) 5362 6270  
FAX: +52(55) 5365 7627

HECHO EN MEXICO

**www.hypower.mx**

HYPOWERENEJH

ENEJH @grupo\_enejh

GARANTIA DEL 100%

FABRICAMOS TODO TIPO DE CABLES PARA BUJÍAS Y CAPUCHONES PARA TODAS LAS MARCAS Y TODOS LOS MODELOS CON LA MEJOR CALIDAD.



\* Este producto se fabrica con forro de PVC  
COP: Coil On Plug / Capuchón para Bobina, BUJ: Bujía, DIST: Distribuidor, N/A: No aplica "Las denominaciones y logotipos registrados que se presentan en esta publicación, son propiedad de sus titulares, Cromios SA de CV, no se hace responsable por los cambios de titularidad de los registros de marca a la fecha de la presente publicación, JUNIO 2015"

MODELO / MODEL	AÑO / YEAR	MOTOR / ENGINE	CIL	PVC GRAF	PVC COBRE	COP	BUJ	DIST
<b>FORD</b>								
GRAN MARQUIS, CROWN VICTORIA, GALAXIE, LTD, FAIRMONT, MAVERICK Y FALCON, MICROBUS, CAMIONETAS 100/150/300/350 CAPUCHON RECTO, E.C.	66-84	260, 289, 302, 351cid ENCENDIDO CONVENCIONAL	8	B9200F8			B15	D21
CAMIONETAS F600 Y B600 CAPUCHON RECTO	66-92	289, 335cid ENCENDIDO CONVENCIONAL	8	B9290F8			B15	D21
<b>NISSAN</b>								
DATSUN SEDAN Y CAMIONETAS CAPUCHON RECTO	63-84	1200, 1300, 1500cc Motor J ENCENDIDO CONVENCIONAL	4	B9220N4			B3	D17
DATSUN SEDAN, ICHI VAN, SAKURA, PICK UP CAPUCHON RECTO Y CODO	81-92	1600, 1800cc Motor J ENCENDIDO CONVENCIONAL	4	B9230N4			B43	D57
<b>UNIVERSALES</b>								
UNIVERSAL 4 CILINDROS	TODOS	4 CILINDROS	4	B9310U4	B8510U4		B3	D1
UNIVERSAL 6 CILINDROS	TODOS	6 CILINDROS	6	B9320U6	B8520U6		B3	D1
UNIVERSAL 8 CILINDROS	TODOS	8 CILINDROS	8	B9330U8	B8530U8		B3	D1
UNIVERSAL 4 CILINDROS (EXPORTACION)	TODOS	4 CILINDROS	4	B5796U4	B8796U4		B3	D1
UNIVERSAL 6 CILINDROS (EXPORTACION)	TODOS	6 CILINDROS	6		B8797U6		B3	D1
UNIVERSAL 8 CILINDROS (EXPORTACION)	TODOS	8 CILINDROS	8	B5798U8	B8798U8		B3	D1
<b>VOLKSWAGEN</b>								
SEDAN, COMBI, PANEL, BRASILIA, SAFARI Y HORMIGA 1963-1989 MOTOR 1200, 1500 Y 1600 C.C. ENCENDIDO CONVENCIONAL	63-89	1200, 1500, 1600cc ENCENDIDO CONVENCIONAL	4		B8340W4		B1	D1

**SUSCRÍBETE A NUESTRO BOLETÍN ELECTRÓNICO MENSUAL**



**Hy Power**  
Enciende el poder

**¡Y RECIBE INFORMACIÓN Y PROMOCIONES!**

Registra tus datos en: [www.hypower.mx/boletin.html](http://www.hypower.mx/boletin.html)

\* Este producto se fabrica con forro de PVC  
COP: Coil On Plug / Capuchón para Bobina, BUJ: Bujía, DIST: Distribuidor, N/A: No aplica "Las denominaciones y logotipos registrados que se presentan en esta publicación, son propiedad de sus titulares, Cromios SA de CV, no se hace responsable por los cambios de titularidad de los registros de marca a la fecha de la presente publicación, JUNIO 2015"

"Importante: La información indicada en esta publicación, ha sido obtenida por fuentes confiables y oficiales, consideramos que es correcta, sin embargo no asumimos ninguna responsabilidad por errores, cambios, omisiones o datos que resulten de estos."

# ¿SABES COMO ESTAN FABRICADOS NUESTROS CAPUCHONES PARA BOBINAS DE ENCENDIDO DIRECTO?

**HY**  
**POWER**  
*Enciende el poder*



Capuchones de Encendido Directo

Estos capuchones se emplean en los sistemas de encendido directo sustituyendo la función que realizan los cables para bujías, conducen el alto voltaje generado en la bobina independiente hasta la bujía mejorando la calidad de la chispa.

Están hechos de silicón y su función principal es proteger el flujo de corriente de la bobina independiente hacia la bujía, presentan un conductor, regularmente de acero inoxidable tipo resorte.

## Capuchón:

Están hechos de un elastómero de silicón de alta resistencia térmica ya que debe soportar un mínimo de 220 °C. Tiene un gran espesor para evitar la fuga de corriente y sellan la unión entre la bobina y la bujía. Son fabricados conforme a las características dimensionales y funcionales de equipo original.

## Conductor:

Es de acero inoxidable, prácticamente con nula resistencia, ya que con esto se garantiza el contacto constante y permanente con la cabeza de la bujía y la bobina. Estos capuchones se emplean en los sistemas de encendido directo sustituyendo la función que realizan los cables para bujías, conducen el alto voltaje generado en la bobina independiente hasta la bujía mejorando la calidad de la chispa.

**HY**  
**POWER**  
*Enciende el poder*  
*Ignition power*

Contamos con otras líneas de productos

Cable automotriz flexible



Cables para batería



Cables pasa corriente



# Conoce nuestros cables para bujía

**Hy**  
**POWER**  
Enciende el poder

**Conductor:** Bobinado (wire wound) reparte máximo voltaje sin interferencia de radio frecuencia (IRF) y cumple con la resistencia especificada en Equipo Original.

SERIE 1, *Elite*

**Forro TRICAPA:** SILICON ANTIFLAMA de alta temperatura 7 y 8 mm, malla de fibra de vidrio, centro aislante de EPDM altamente dieléctrico.

**Capuchones:** SILICON ANTIFLAMA, altamente dieléctrico, aislante y sellado perfecto al cable, a prueba de humedad y temperatura, conforme a diseño original.

**Terminales:** Importadas con abrazadera metálica, de acero inoxidable y/o cobre.

SERIE 5, EPDM

SERIE 6, SILICON

**ÚNICOS FABRICANTES**  
Todas las marcas, todos los modelos.

**GARANTÍA**  
**100%**



[www.enejh.com](http://www.enejh.com)  
[pedidos@enejh.com](mailto:pedidos@enejh.com)

Calle 8 de Blvd. Querétaro 9  
Col. Fracc. Viveros del Valle, Tlalnepantla  
Edo. de México, C.P. 54060  
México.  
Tel. 52 (55) 5362 6270  
Lada. 01800 0036 354

**Hy**  
**POWER**

[www.hypower.mx](http://www.hypower.mx)

f HYPOWERENEJH

t @grupo\_enejh

DIRCOM ENEJH

MX  
HECHO EN  
MEXICO



2015 Todos los Derechos Reservados Cromios S.A. de C.V.®